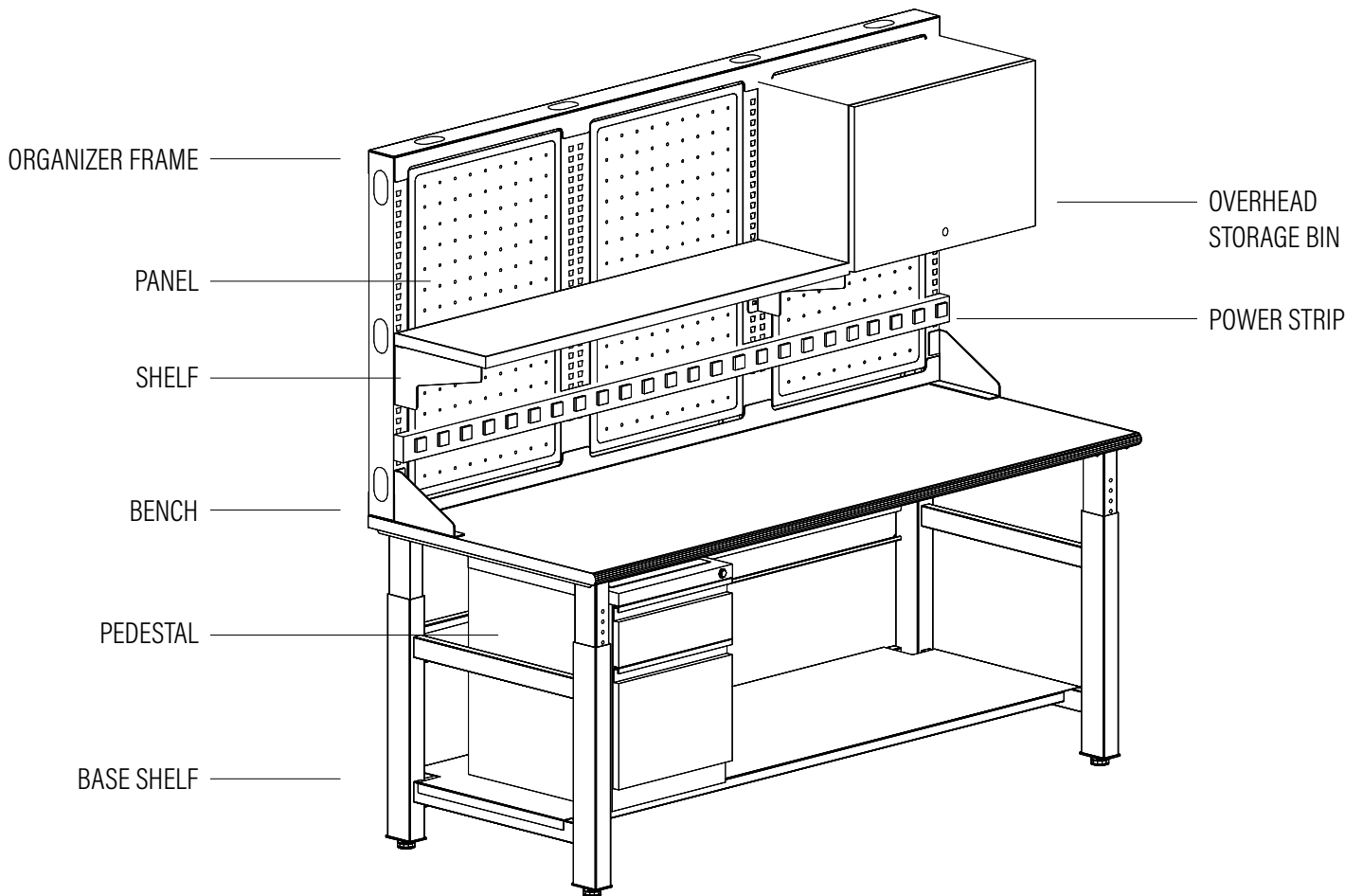


TECHWORKS®

SPEC GUIDE



BENCHES

ORGANIZER FRAMES

SHELVES

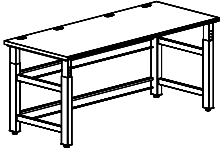
ACCESSORIES

TABLES

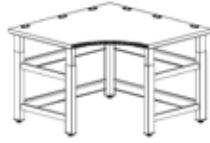
FINISHES

TECHWORKS®

BENCHES



Straight Benches
pg. 3



Corner Benches
pg. 4

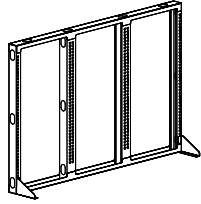


L-Shaped Benches
pg. 5



Electric Height-Adjustable
Benches pg. 6

ORGANIZER FRAMES



Straight Frames
pg. 7

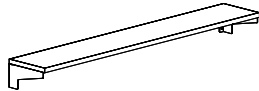


Corner Frames
pg. 8



L-Shaped Frames
pg. 9

SHELVES



Organizer Frame Shelves
pg. 10-12

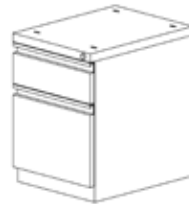


Base Shelves
pg. 13-14

ACCESSORIES



Organizer Frame Accessories
pg. 15-20



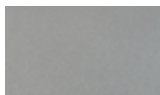
Base Accessories
pg. 21-23

TABLES



Straight Tables
pg. 24

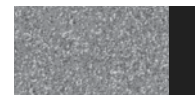
FINISHES



Powder Paint Finishes
pg. 25



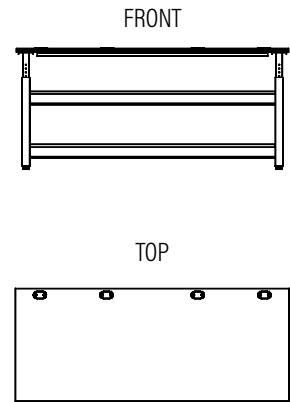
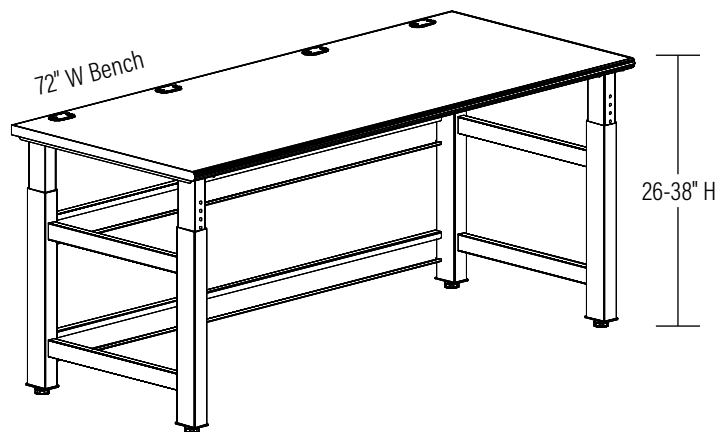
Fabric Finishes
pg. 25



Work Surface Finishes
pg. 25

1. Select your bench and worksurface/shelf material.
2. Select a frame to match up with your bench width.
3. Select your shelves.
4. Select your accessories.
5. Select your finishes.

STRAIGHT BENCHES

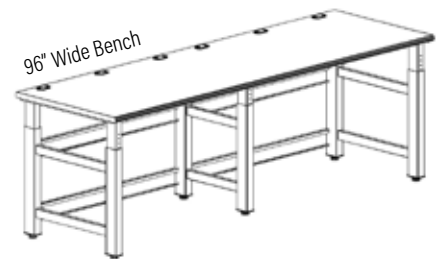


Bench has 12" of travel range measuring 26" to 38" from the floor to the top of the work surface. Adjusts in 1" increments with threaded fasteners. Bench comes standard with leveling glides; optional casters are available (item #350221-caster 4pk) but will add 3" to overall bench height. Ships knocked down.

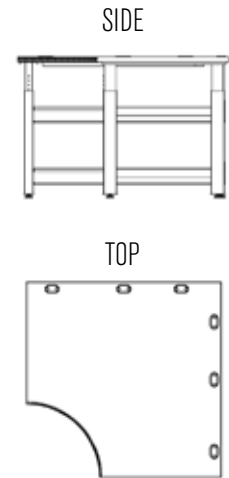
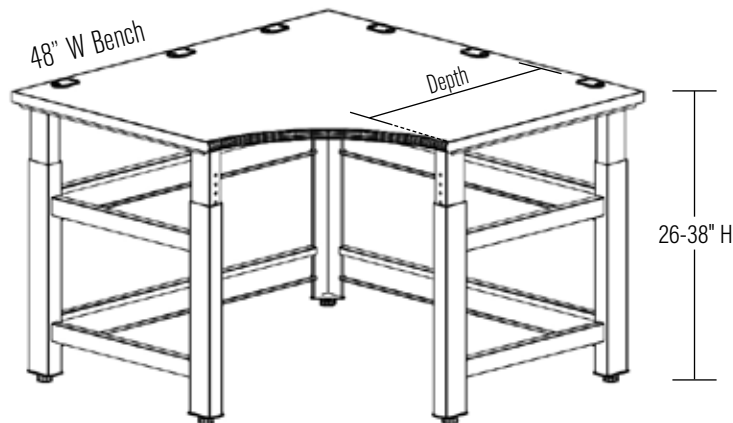
- Bench holds 1,000lbs evenly distributed
- Bench standard work surface options include:
 - HPL (High Pressure Laminate 1 1/8" thick) with 3mm PVC edge band on all sides
 - Stainless Steel work-surface is 1 5/8" thick 16GA, type 304, #4 finish with wrapped and welded corners and a particle board core
 - Butcher Block (1 3/4" thick) 1/8" radius on all sides
 - ESD (Electro-Static Discharge 1 1/8" thick) with ground terminus. ESD available in Gray laminate with Black edge banding only (coordinating accessories available on pg. 25)
- All work surfaces come standard with 1 3/4" x 3 1/4" grommet holes

HOW TO SPECIFY

1. Choose your bench work surface material
 - HPL • Stainless Steel • ESD (includes grounding terminus; coordinating accessories available on pg. 25) • Butcher Block
2. Choose your bench depth
 - 24" • 30" • 36"
3. Choose your bench width (note - 96" benches have a 3rd support leg - shown on right)
 - 24" • 30" • 36" • 48" • 60" • 72" • 96"
4. Choose your bench finishes (see finish options pg. 25)
 - Powder coat paint color • Work surface color if applicable
5. Add optional below work surface accessories (See page 21-23) or above work surface organizer frame (See page 7)



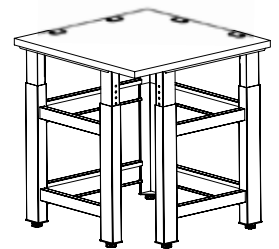
CORNER BENCHES



Bench has 12" of travel range measuring 26" to 38" from the floor to the top of the work surface. Adjusts in 1" increments with threaded fasteners. Bench comes standard with leveling glides; optional casters are available (item # 742 caster-5pk) but will add 3" to overall bench height. Ships knocked down.

- Bench holds 1,000lbs evenly distributed
- Bench standard work surface options include:
 - HPL (High Pressure Laminate 1 1/8" thick) 3mm PVC edge band on all sides
 - Butcher Block (1 3/4" thick) 1/8" radius edge on all sides
 - ESD (Electro-Static Discharge 1 1/8" thick) with ground terminus. ESD available in Gray laminate with Black edge banding only (coordinating accessories available on pg. 25)
- All work surfaces come standard with 1 3/4"x 3 1/4" grommet holes
- 24", 30" & 36"W squared corner benches do not have cutout on front (Shown on right)

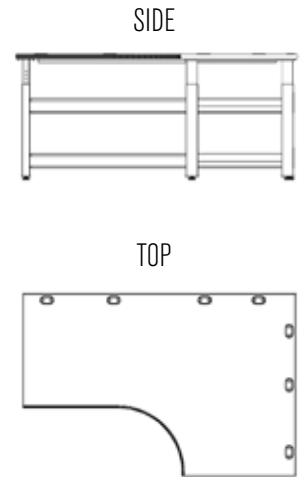
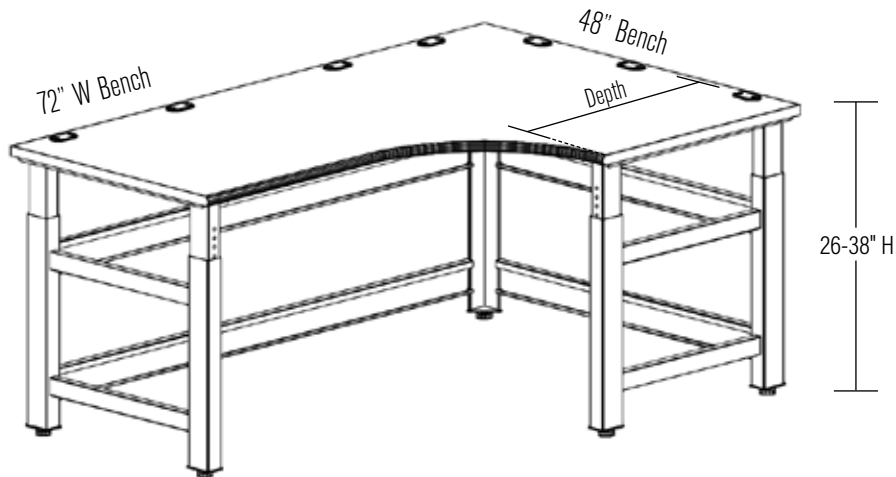
Squared 24", 30" & 36" Corner Benches



HOW TO SPECIFY

1. Choose your bench work surface material
 - HPL
 - Butcher Block
 - ESD (includes grounding terminus; coordinating accessories available on pg. 25)
2. Choose your bench depth
 - 24"
 - 30"
 - 36"
3. Choose your bench width
 - 24"
 - 30"
 - 36"
 - 48"
 - 60"
4. Choose your bench finishes (see finish options pg. 25)
 - Powder coat paint color
 - Work surface color if applicable
5. Add optional below work surface accessories (See pg. 20-21) or above work surface organizer frame (See pg. 8)

L-SHAPED BENCHES



Bench has 12" of travel range measuring 26" to 38" from the floor to the top of the work surface. Adjusts in 1" increments with threaded fasteners. Bench comes standard with leveling glides; optional casters are available (item #742 caster-5pk) but will add 3" to overall bench height. Ships knocked down.

- All L-Shaped benches are 72" W x 48"
- Bench holds 1,000lbs evenly distributed
- Bench standard work surface options include:
 - HPL (High Pressure Laminate 1 1/8" thick) 3mm PVC edge band on all sides
 - Butcher Block (1 3/4" thick) 1/8" radius on all sides
 - ESD (Electro-Static Discharge 1 1/8" thick) with ground terminus. ESD available in Gray laminate with Black edge banding only (coordinating accessories available on pg. 25)
- All work surfaces come standard with 1 3/4" x 3 1/4" grommet holes
- Right-handed and left-handed options available

HOW TO SPECIFY

1. Choose your bench work surface material

- HPL
- ESD (includes grounding terminus; coordinating accessories available on pg. 25)
- Butcher Block

2. Choose your bench depth

- 24"
- 30"
- 36"

3. Choose your handedness

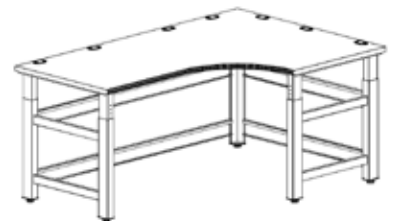
- Right-handed
- Left-handed

4. Choose your bench finishes (see finish options pg. 25)

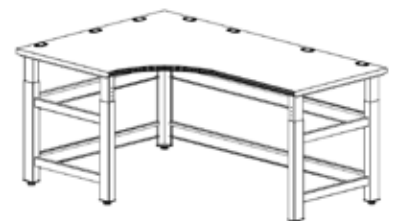
- Powder coat paint color
- Work surface color if applicable

5. Add optional below work surface accessories (See pgs. 20-21) or above work surface organizer frame (See pg. 9)

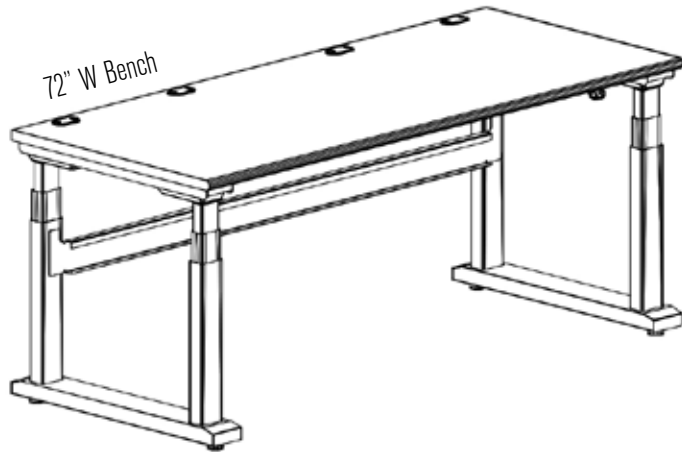
Left-handed



Right-handed



ELECTRIC HEIGHT-ADJUSTABLE BENCHES



FRONT



TOP

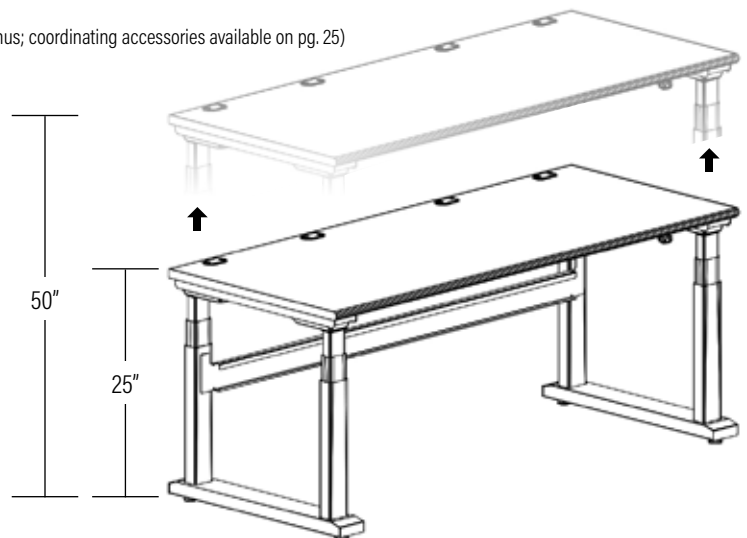


Bench has 25" of travel range measuring 25" to 50" from the floor to the top of the work surface. Bench comes standard with leveling glides; optional casters are available (item # 350221) but will add 3" to overall bench height. Ships knocked down.

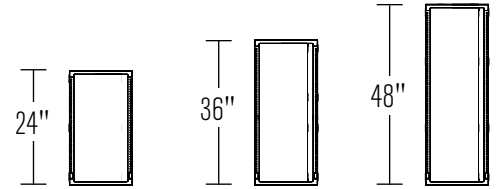
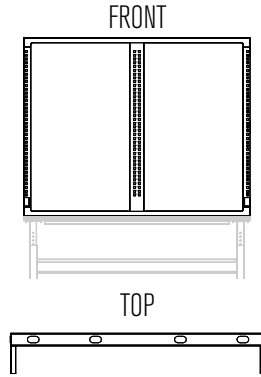
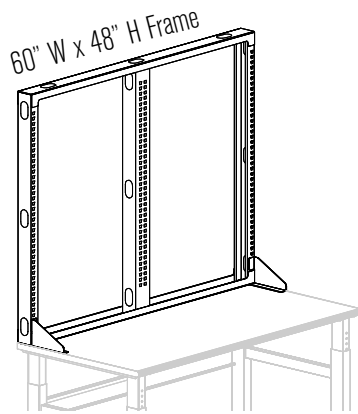
- Bench holds 1,000lbs evenly distributed
- Bench standard work surface options include:
 - HPL (High Pressure Laminate 1 1/8" thick) 3mm PVC edge band on all sides
 - Butcher Block (1 3/4" thick) 1/8" radius on all sides
 - ESD (Electro-Static Discharge 1 1/8" thick) with ground terminus. ESD available in Gray laminate with Black edge banding only (coordinating accessories available on pg. 25)
- All work surfaces come standard with 1 3/4" x 3 1/4" grommet holes
- All benches are 30" D

HOW TO SPECIFY

1. Choose your bench work surface material
 - HPL • Stainless Steel • Butcher Block • ESD (includes grounding terminus; coordinating accessories available on pg. 25)
2. Choose your bench width
 - 48" • 60" • 72"
3. Choose your bench finishes (see finish options pg. 25)
 - Powder coat paint color • Work surface color if applicable
4. Add optional above work surface organizer frame (See pg. 7)



STRAIGHT ORGANIZER FRAMES



Open frame design provides above work surface support for hanging accessories. Fixed height organizer frame mechanically fastens to the TechWorks Bench work surface and height adjusts with the bench. Frames allow for vertical adjustment of accessories in 1" increments. Ships knocked down.

- 14-Gauge cold rolled steel construction, organizer frames hold up to 400lbs evenly distributed
- Designed for horizontal and vertical integrated cable management between the frame uprights
- For back-to-back benching applications: To use one shared frame with back-to-back accessories add item 733, Shared Organizer Frame Support Brackets. Add item 73303 if using two separate organizer frames bound back-to-back.

HOW TO SPECIFY

1. Choose your organizer frame width that matches your bench
 - 24" frame assembly (1-24" section)
 - 30" frame assembly (1-30" section)
 - 36" frame assembly (1-36" section)
 - 48" frame assembly (2-24" sections)
 - 60" frame assembly (2-30" sections)
 - 72" frame assembly (3-24" sections)
 - 96" frame assembly (2 - 48" sections)
2. Choose your organizer frame height
 - 24" • 36" • 48"
3. Choose your organizer frame finishes (see finish options pg. 25)
 - Powder coat paint color

*To add optional organizer frame accessories, see pg. 15-19.

24" Assembly



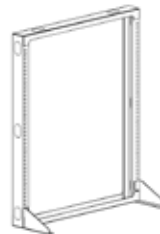
1-24" Section

30" Assembly



1-30" Section

36" Assembly



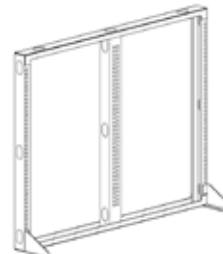
1-36" Section

48" Assembly



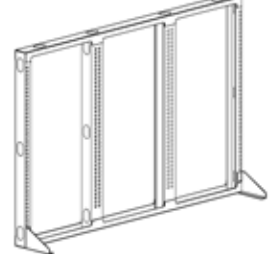
2-24" Sections

60" Assembly



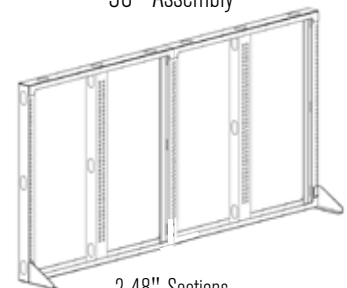
2-30" Sections

72" Assembly



3-24" Sections

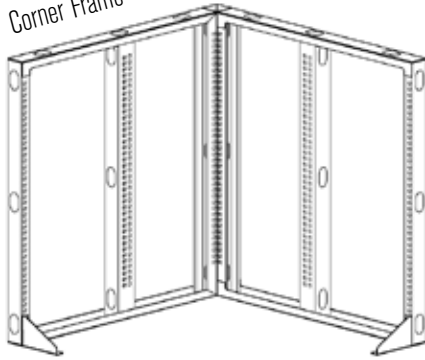
96" Assembly



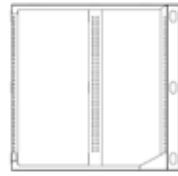
2-48" Sections

CORNER ORGANIZER FRAMES

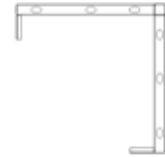
Corner Frame



FRONT/SIDE



TOP



Open frame design provides above work surface support for hanging accessories. Fixed height organizer frame mechanically fastens to the TechWorks Bench work surface and height adjusts with the bench. Frames allow for vertical adjustment of accessories in 1" increments. Ships knocked down.

- 14-Gauge cold rolled steel construction, organizer frames hold up to 400lbs evenly distributed
- Designed for horizontal and vertical integrated cable management between the frame uprights
- Inner grommets of a corner frames do not line-up with grommets of straight Techworks Benches; specify corner benches for correct alignment of grommets.
- Inner frame sections of corner units are only compatible with corner accessories
- Shared organizer frame support brackets, item 733, are not compatible with corner frame applications.

HOW TO SPECIFY

1. Choose your organizer frame width that matches your bench

All corner frames consist of two corner frame assemblies with a corner connector as follows:

- 24" Bench = 24" Corner Frame, consisting of 2-20"W frame assemblies
- 30" Bench = 30" Corner Frame, consisting of 2-26"W frame assemblies
- 36" Bench = 36" Corner Frame, consisting of 2-32"W frame assemblies
- 48" Bench = 48" Corner Frame, consisting of 2 - 44" W frame assemblies (24" outer section and a 20" inner section)
- 60" Bench = 60" Corner Frame, consisting of 2- 56" W frame assemblies (30" outer section and 26" inner section)
- 72" Bench = 72" Corner Frame, consisting of 2-68" W frame assemblies (2-24" W outer sections and 1-20" section)

2. Choose your organizer frame height

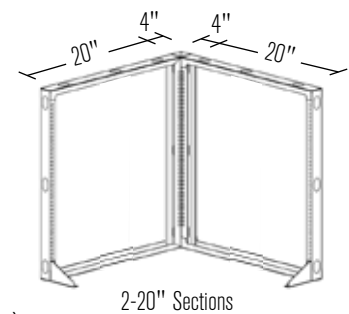
- 24" • 36" • 48"

3. Choose your organizer frame finishes (see finish options pg. 25)

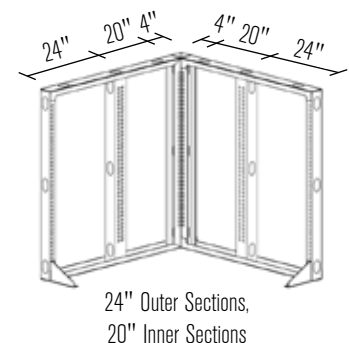
- Powder coat paint color

*To add optional organizer frame accessories, see page 15-19.

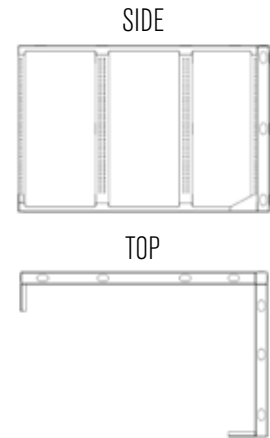
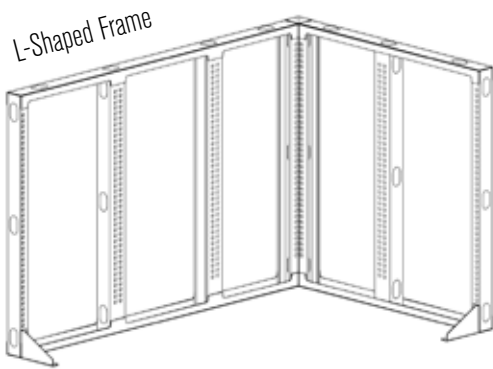
24" Corner Frame



48" Corner Frame



L-SHAPED ORGANIZER FRAMES



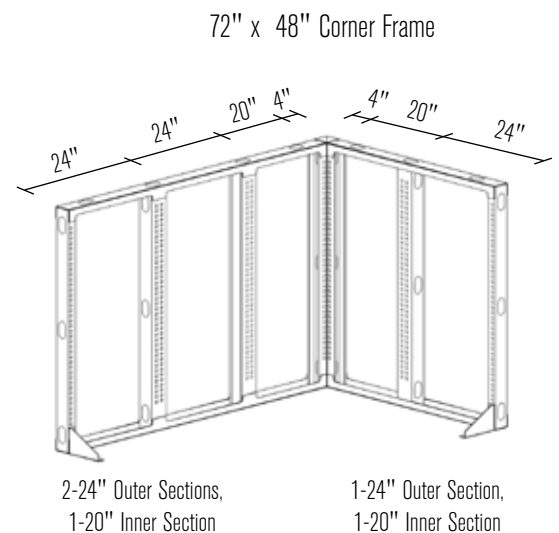
Open frame design provides above work surface support for hanging accessories. Fixed height organizer frame mechanically fastens to the TechWorks Bench work surface and height adjusts with the bench. Frames allow for vertical adjustment of accessories in 1" increments. Ships knocked down.

- 14-Gauge cold rolled steel construction, organizer frames hold up to 400lbs evenly distributed
- Designed for horizontal and vertical integrated cable management between the frame uprights
- Inner frame section of L-Shaped units will not fit all accessories (see organizer frame accessories pgs. 15-19) for more details
- Inner grommets of a corner frames do not line-up with grommets of straight Techworks Benches; specify L-Shape frames with L-Shaped benches for correct alignment of grommets.
- Inner frame sections of L-Shaped units are only compatible with corner accessories
- Shared organizer frame support brackets, item 733, are not compatible with L-Shaped frame applications.

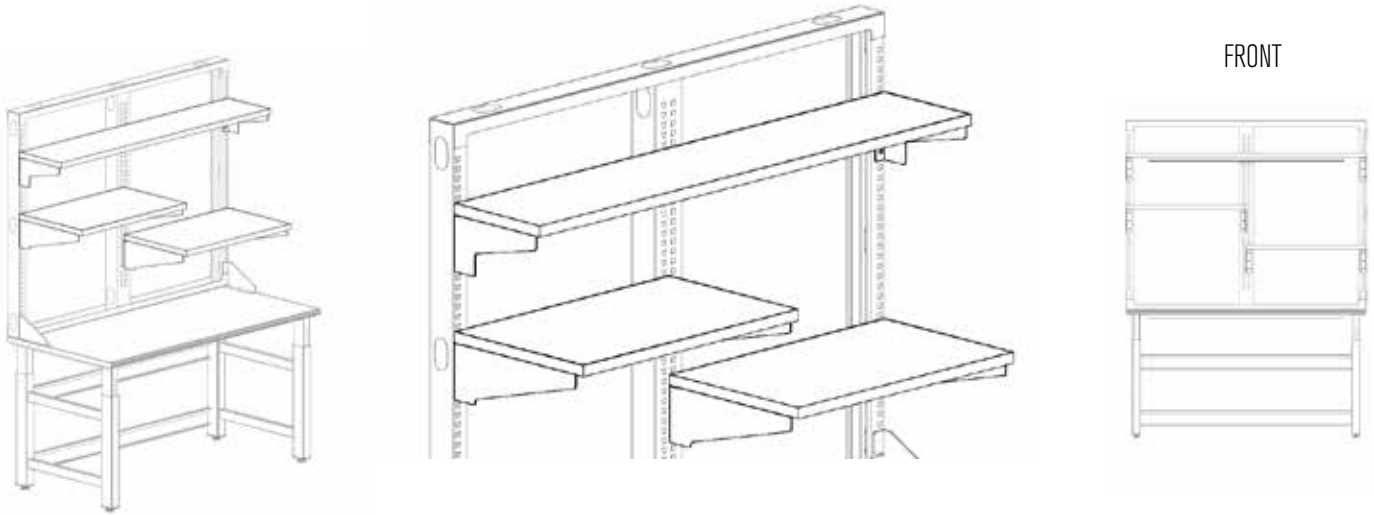
HOW TO SPECIFY

1. Choose your organizer frame width that matches your bench
 - 72" Bench = 72" L Frame (72" x 48"), consisting of 1-68" frame assembly (2-24" outer sections and 1-20" inner section for 72" side), and 1- 44" frame assembly (1-24" outer section and 1-20" inner section for 48" side).
2. Choose your organizer frame height
 - 24" • 36" • 48"
3. Choose your organizer frame finishes (see finish options pg. 25)
 - Powder coat paint color

*To add optional organizer frame accessories, see pgs. 15-19.



ORGANIZER FRAME SHELVES

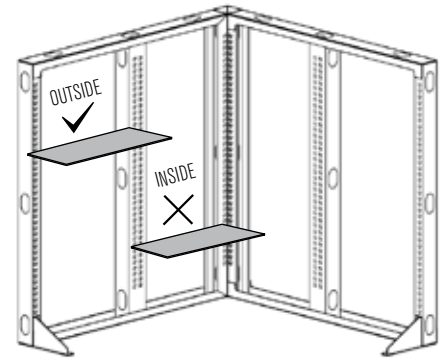


Fixed Cantilevered - Straight Rectangular

Fixed Cantilevered Shelves provide general storage. Fixed Cantilevered Shelves can be used with straight organizer frames, corner organizer frames and L-shaped organizer frames "outer" sections only (not compatible with corner organizer frames and L-shaped organizer frames "inner" sections). For inside corner frames, see corner shelves on pg. 12.

- Shelf weight capacity is 200lbs.
- Shelves are adjustable on 1" increments
- Shelves install and can be relocated for easy adaptability

Placement of straight shelves on a corner frame
(outsides only)



HOW TO SPECIFY

1. Choose your shelf material

- HPL
- ESD (includes grounding terminus; coordinating accessories available on pg. 25)

2. Choose your shelf width that matches your organizer frame

- 24" • 30" • 36" • 48" • 60" • 72"

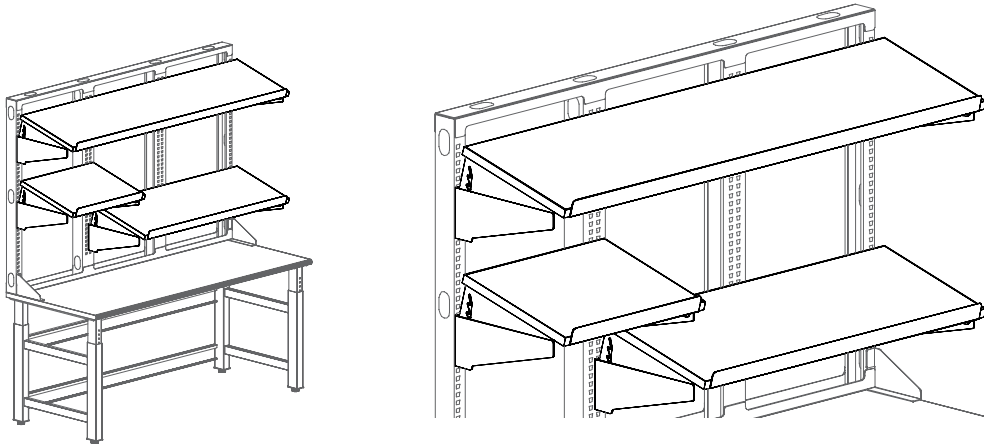
3. Choose your shelf depth

- 12" • 18"

4. Choose your shelf finishes (see finish options pg. 25)

- Shelf laminate color (if applicable)
- Shelf edge band color
- Powder coat paint color

ORGANIZER FRAME SHELVES

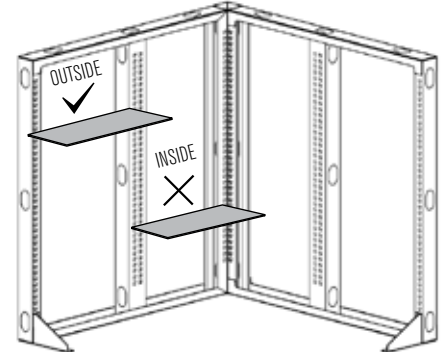


Tilted Cantilevered Shelves - Straight Rectangular

Tilt Cantilevered Shelves provide general storage. Tilt shelves have full-length raised safety edge to prevent forwarded slippage of stored equipment. Tilt shelves can be positioned at 0°, 5°, or 10°. Tilt Cantilevered Shelves can be used with straight organizer frames, corner organizer frames and L-shaped organizer frames "outer" sections only (not compatible with corner organizer frames and L-shaped organizer frames "inner" sections).

- Shelf weight capacity is 200lbs.
- Shelves are adjustable on 1" increments
- Shelves install and can be relocated for easy adaptability

Placement of straight shelves on a corner frame
(outsides only)



HOW TO SPECIFY

1. Choose your shelf material

- HPL
- ESD (includes grounding terminus; coordinating accessories available on pg. 25)

2. Choose your shelf width that matches your organizer frame

- 24"
- 30"
- 36"
- 48"
- 60"
- 72"

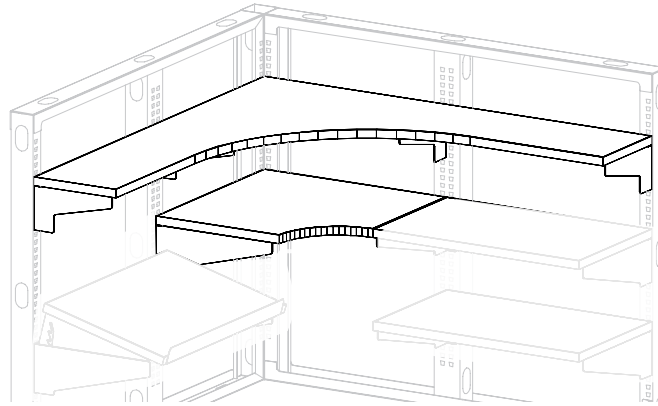
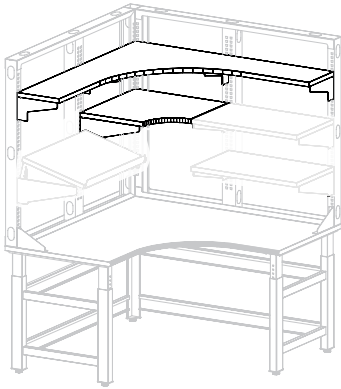
3. Choose your shelf depth

- 18"

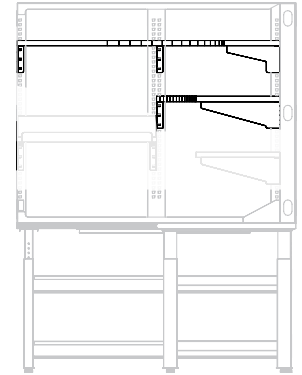
4. Choose your shelf finishes (see finish options pg. 25)

- Shelf laminate color (if applicable)
- Shelf edge band color
- Powder coat paint color

ORGANIZER FRAME SHELVES



FRONT



Fixed Cantilevered Corner Shelves

Fixed Cantilevered Corner Shelves provide general storage. Shelves can be used with Corner and L-Shaped Organizer frames only (not compatible with straight organizer frames).

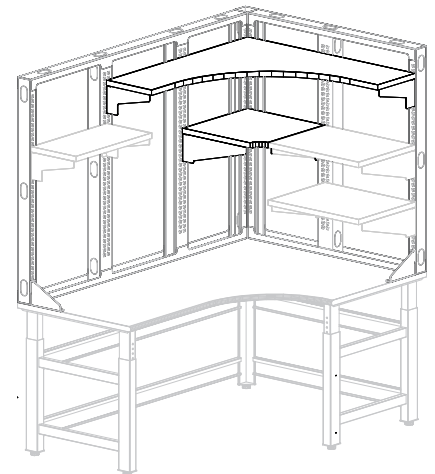
- Shelf weight capacity is 250lbs.
- Shelves are adjustable on 1" increments
- Shelves install and can be relocated for easy adaptability



HOW TO SPECIFY

1. Choose your shelf material
 - HPL
 - ESD (includes grounding terminus; coordinating accessories available on pg. 25)
2. Choose your shelf width that matches your organizer frame
 - 24" • 30" • 36" • 48" (use with 72x48" L-Shaped applications) • 60"
3. Choose your shelf depth
 - 12" • 18"
4. Choose your shelf finishes (see finish options pg. 25)
 - Shelf laminate color (if applicable)
 - Shelf edge band color
 - Powder coat paint color

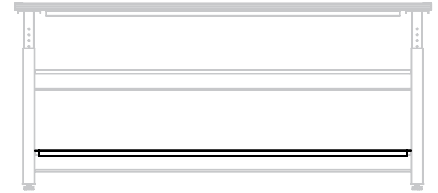
Placement of corner shelves on an L-Shaped frame



BASE SHELVES



FRONT



Base Shelves - Straight

Straight base shelves are constructed from 14-gage cold rolled steel and provide general storage below the worksurface of TechWorks Straight Benches. Available in full depth (23" deep) or partial depth (12" deep) and can be attached to TechWorks benches in two preset locations (lower or upper cross bars on the bench base legs).

• 24" deep benches can only accommodate partial base shelves

- Weight Capacity of Full Base or Partial Base Shelf is 400lbs each
- Full Base shelves can be used with 30 or 36" deep benches only
- Full Base shelf on 96" wide benches is only 18" deep



HOW TO SPECIFY

1. Choose your shelf width that matches your bench

- 24" • 30" • 36" • 48" • 60" • 72" • 96"

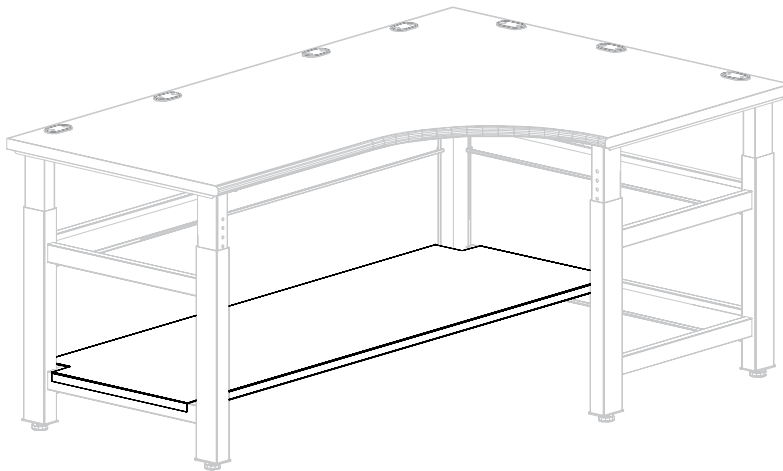
2. Choose your shelf depth

- Partial Base Shelf- 12" • Full Base Shelf-23" (*if 96" width is requested, shelf will be 18")

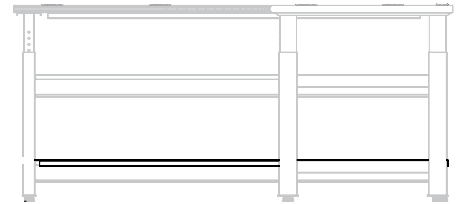
3. Choose your shelf finishes (see finish options pg. 25)

- Powder coat paint

BASE SHELVES



FRONT



Base Shelves - Corner Applications

Corner base shelves are constructed from 14-gage cold rolled steel and provide general storage below the worksurface of TechWorks Corner and L-Shaped Benches. Available in full depth (23" deep) or partial depth (12" deep) and can be attached to TechWorks benches in two preset locations (lower or upper cross bars on the bench base legs).

-
- Weight Capacity of Full Base or Partial Base Shelf is 400lbs each
 - Corner base shelves can only be installed along one side of the corner unit
 - Only one shelf can be used per upper or lower cross bar
-

HOW TO SPECIFY

1. Choose your shelf width that matches your bench

- 24" • 30" • 36" • 48" • 60" • 72"

2. Choose your shelf depth

- Partial Base Shelf- 12" • Full Base Shelf-23"

3. Choose your shelf finishes (see finish options pg. 25)

- Powder coat paint

ORGANIZER FRAME ACCESSORIES

Overhead Storage Bin

TechWorks Overhead Storage bin provides secure storage. Door swings up and over the cabinet to optimize interior storage space.

- Overhead Storage bin placement adjustable on 1" increments
- Overhead Storage bins can install and be relocated for easy adaptability
- Overhead Storage bins can be placed side-by-side on frame
- Door lock is standard, keyed random
- All overhead storage bins are 12" D x 16" H

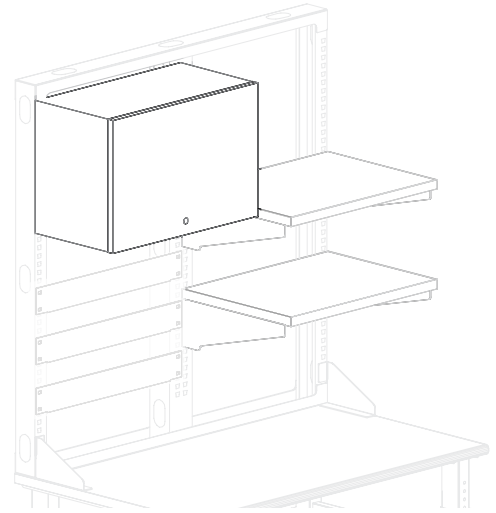
HOW TO SPECIFY

1. Choose your overhead storage width that matches your organizer frame section

- 24" • 30" • 36"

2. Choose your overhead storage finishes

- Powder Paint Color
- Powder coat paint can be matched to TechWorks organizer frame when applicable



Parts Bin Panels

TechWorks Parts bin panels accept part bins (bins not included-available from multiple vendors) which are ideal for storage and organization of small items.

- Multiple parts bin panels can be attached to a single organizer frame
- Bin panels can install and be relocated for easy adaptability
- All bin panels are 3" high.

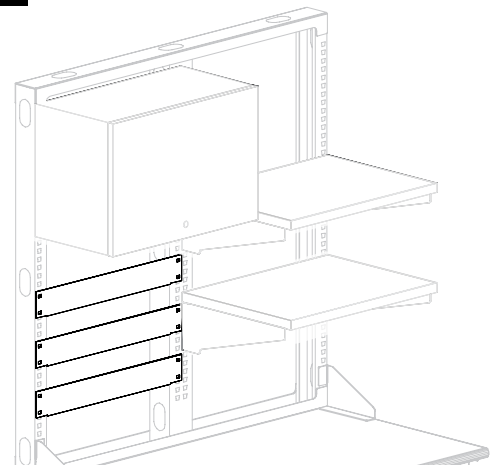
HOW TO SPECIFY

1. Choose the bin strip width that matches your organizer frame section

- 24" • 30" • 36"

2. Choose your parts bin panels finishes (see finish options pg. 25)

- Powder Paint Color
- Powder coat paint can be matched to TechWorks organizer frame when applicable



Privacy Fabric Screen

TechWorks Fabric Screen attaches between organizer frames to create a private work environment and help support increased focus in busy work areas. Screens can be mounted on front or back of the frame to give a finished appearance from either side.

- Steel frames surround the fabric screens with lift-and-hook for assembly
- Telecom Channel and Dual Sided Power Strip hook on components cannot be put in front of Fabric Screens
- Fabric Screen can also be used as a tack board

HOW TO SPECIFY

1. Choose the fabric screen width that matches the organizer frame section

- For straight applications: • 24" • 30" • 36"

- For corner applications: • 20" • 26" • 32"

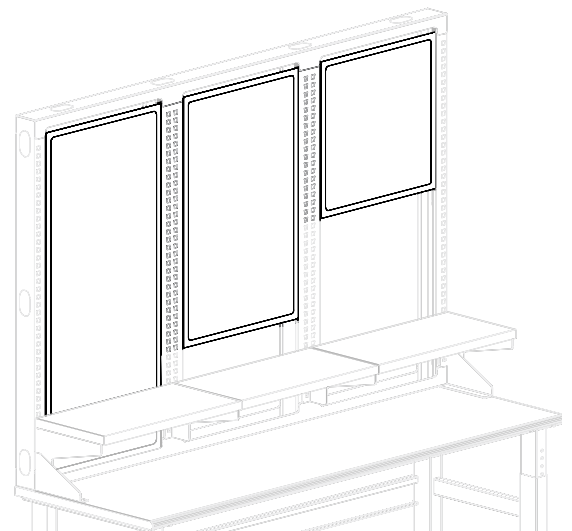
2. Choose the fabric screen height that matches your organizer frame

- 24" • 36" • 48"

*24" and 36" panels can be specified for 48" frames, 24" panel can be specified for 36" frame (Mountable at 5 inch increments)

3. Choose the fabric screen finishes (see finish options pg. 25)

- Powder Paint Color • Fabric Selection
- Powder coat paint can be matched to TechWorks organizer frame when applicable



ORGANIZER FRAME ACCESSORIES

Peg Boards

TechWorks Peg Board attaches between organizer frames for the storage of small tools and other items within arm's reach. Peg Boards can be mounted on front or back of the frame to give a finished appearance from either side.

- Steel frames surround the Masonite peg boards
- Peg boards easily attach to the organizer frame with lift-and-hook assembly
- Telecom Channel and Dual Sided Power Strip hook on components can't be put in front of Peg Boards
- Peg board hooks not included
- Constructed of durable Masonite-brown color (only) or magnetic steel

HOW TO SPECIFY

1. Choose the peg board width that matches your organizer frame section

For straight applications: • 24" • 30" • 36"

For corner inner section applications: • 20" • 26" • 32"

2. Choose the peg board height that matches your organizer frame

• 24" • 36" • 48"

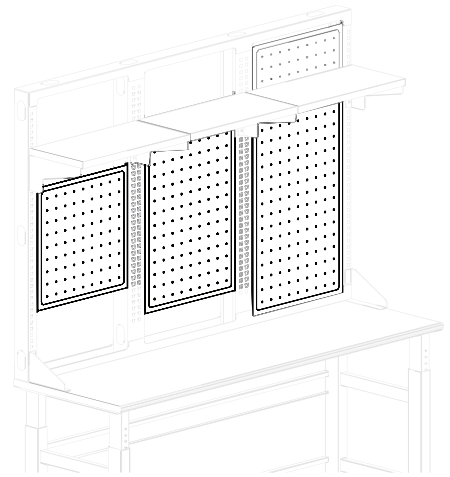
*24" and 36" panels can be specified for 48" frames, 24" panel can be specified for 36" frame (Mountable at 5 inch increments)

3. Choose the peg board material

• Masonite • Steel (add suffix "S" to the item number to specify steel)

4. Choose the peg board frame finishes (see finish options pg. 25)

- Powder Paint Color
- Powder coat paint can be matched to TechWorks organizer frame



Whiteboards

TechWorks Whiteboards attach between organizer frames and create a private work environment to help support increased focus in busy work areas. The magnetic steel panels are finished with a whiteboard coating on both the front and back sides to provide a finished look and double your useable surface.

- Quick install via adapter bars inside frame for lift-and-hook placement
- Telecom Channel and Dual Sided Power Strip hook on components cannot be put in front of Whiteboards
- Optional marker trays available (1-per whiteboard, not compatible with "inside" corner frame sections)
- Steel panel with dry erase powder coat surface allows for writing on, and also can be used as a magnetic board

HOW TO SPECIFY

1. Choose the whiteboard width that matches your organizer frame section

For straight applications: • 24" • 30" • 36"

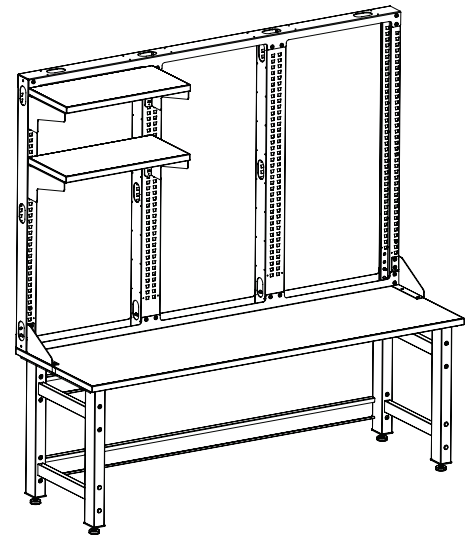
For corner applications: • 20" • 26" • 32"

2. Choose the whiteboard height that matches your organizer frame

• 24" • 36" • 48"

*24" and 36" panels can be specified for 48" frames, 24" panel can be specified for 36" frame (Mountable at 5 inch increments)

- Powder coat paint can be matched to TechWorks organizer frame



ORGANIZER FRAME ACCESSORIES

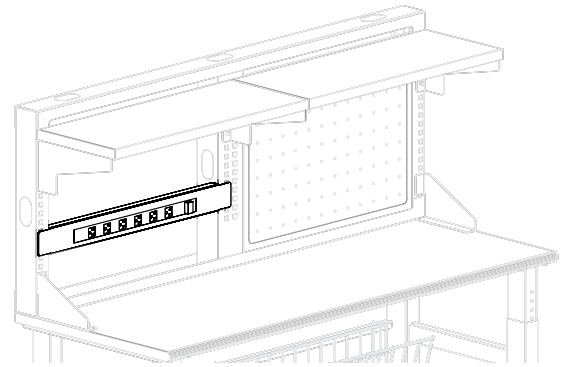
Power Strips - Dual Sided Power Strip

Techworks dual sided power strip mounts between the organizer frames and include a lighted power switch with snap in guard. Each power strip includes 6 front outlets, 6 rear outlets and a 15' power cord.

- All mounting hardware is included
- Not compatible with corner and L-shaped organizer frames "inner" sections

HOW TO SPECIFY

1. Choose the power strip width that matches your organizer frame section
 - 24" • 30" • 36"
2. Choose your required amps
 - 15 amp • 20 amp
3. For 20 amp options (only) match to your wall receptacle type
 - NEMA 5-20R Wall Receptacle • NEMA 5-L20R Wall Receptacle, Twist Lock



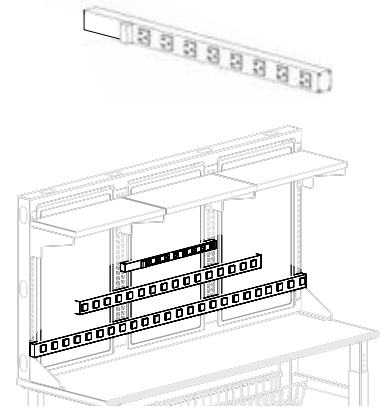
Power Strips

Techworks power strips mount in front of the organizer frames and include a lighted power switch with snap in guard. Each power strip includes a 15' power cord.

- All mounting hardware is included
- Not compatible with corner and L-shaped organizer frames "inner" sections
- It is recommended that you choose a power strip width that is less than the width of your bench to ensure proper fit in side-to-side benching applications

HOW TO SPECIFY

1. Choose your desired power strip width
 - 24" (8 outlets) • 48" (16 outlets) • 60" (20 outlets) • 72" (24 outlets)



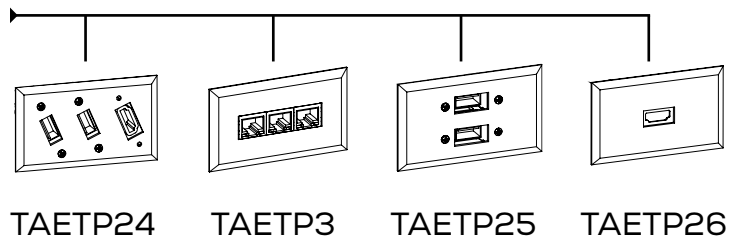
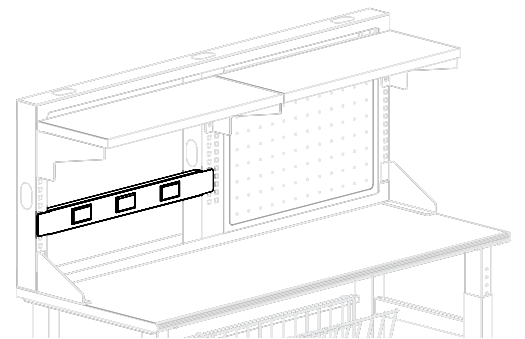
Telecom Channel

TechWorks Telecom Channel mounts to between organizer frame upright and accepts up to 3 data plates (see data plate styles below)

- Not compatible with Corner or L-Shaped organizer frames "inner" sections
- Two blank telecom plates included to cover unused openings
- Multiple data plate configurations available
- To convert USB from inline to charging add: TAETP27 USB Transformer

HOW TO SPECIFY

1. Choose the telecom channel width that matches your organizer frame section
 - 24" • 30" • 36"
2. Choose your data plate inserts (choose up to 3 plates per telecom channel)
3. Choose your telecom channel finishes (see finish options pg. 25)
 - Powder Paint Color
 - Powder coat paint can be matched to TechWorks organizer frame



ORGANIZER FRAME ACCESSORIES

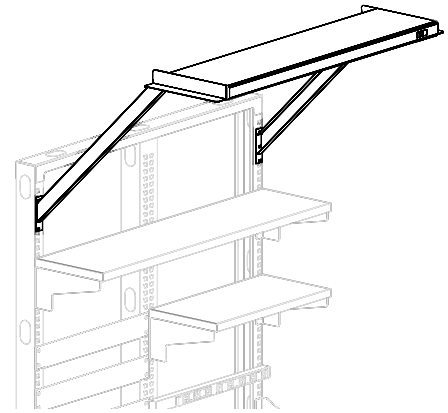
Lighting - Adjustable-Height Overhead Light

Techworks Adjustable-Height Overhead Lights feature LED bulbs and provide high efficiency lighting for general tasks. Adjustable-Height Overhead Lights are UL and CSA approved and include an on/off switch and a 9' power cord.

- Light available in Black (only). Light mounting bracket can be matched to organizer frame
- 15" of clearance above the organizer frame is required for adjustable overhead lights
- Adjustable overhead light may interfere with the placement of components at the upper most mounting positions on organizer frames - not compatible with overhead storage bins
- Compatible with back-to-back shared organizer frame applications
- Not compatible with corner or L-shaped organizer frames

HOW TO SPECIFY

1. Choose the adjustable-height overhead light width that matches your organizer frames total width
 - 36" • 48" • 60" • 72"
2. Choose the adjustable-height overhead light frame finishes (see finish options pg. 25)
 - Powder Paint Color
 - Powder coat paint can be matched to TechWorks organizer frame



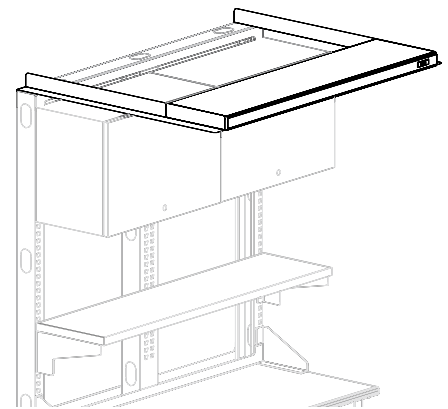
Lighting - Fixed-Height Overhead Light

Techworks Fixed-Height Overhead Lights feature LED bulbs and provide high efficiency lighting for general tasks. Fixed-Height Overhead Lights are UL and CSA approved and include an on/off switch and a 9' power cord.

- Light available in Black (only). Light mounting bracket can be matched to organizer frame
- Not compatible with back-to-back shared organizer frame applications
- Not compatible with corner or L-shaped organizer frames

HOW TO SPECIFY

1. Choose the fixed-height overhead light width that matches your organizer frames total width
 - 36" • 48" • 60" • 72"
2. Choose the fixed-height overhead light frame finishes (see finish options pg. 25)
 - Powder Paint Color
 - Powder coat paint can be matched to TechWorks organizer frame



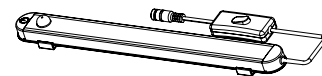
Lighting - Under Shelf Task Lighting

Techworks under shelf task lights feature LED bulbs and provide focused high efficiency lighting for general tasks. Under shelf task lights are UL and CSA approved and include an on/off switch.

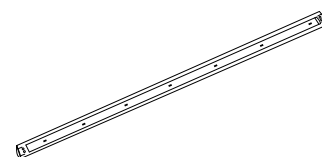
- 1019WH includes wood screws, double sided tape and magnets for mounting.
 - Features occupancy sensor that shuts off light after 30 minutes of no motion
- EZDP includes wood screws and double sided tape for mounting

HOW TO SPECIFY

1. Choose the under shelf task light
 - 1019WH - 17"W • EZDP - 16" LED light strip



1019WH



EZDP

ORGANIZER FRAME ACCESSORIES

Task Lighting

TechWorks LED Task Lights feature seven adjustable illuminations levels for energy-efficiency and perfect internal counterbalance for effortless one-touch positing for ergonomic function. Task lights are UL and CSA approved.

- TWTLA- 3000K color temperature, TWTLB-3500K color temperature
- TWTLA-features a PIR occupancy sensor that automatically turns the light off when not in use, and back on when the use returns
- Lights available in Silver (only), mounting plate can be matched to organizer frame

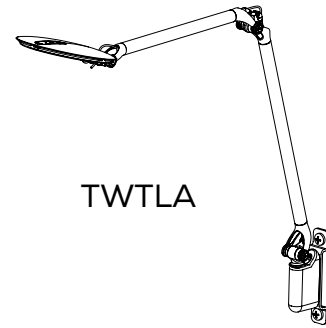
HOW TO SPECIFY

1. Choose your task light

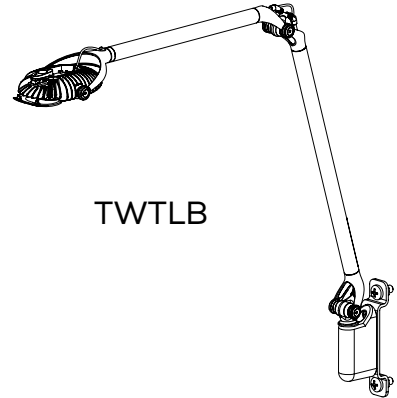
- TWTLA
- TWTLB

2. Choose the task light finishes

- Powder Paint Color (if applicable)
- Powder coat paint can be matched to TechWorks organizer frame



TWTLA



TWTLB

Monitor Arm

TechWorks gas spring monitor arms attach to the organizer frame and support monitors and accessories weighting up to 176lbs and or 32" per monitor. Arms feature +90°~-45° tilt, +90°~-90° swivel and +180°~-180° rotation to help your desired viewing position. Single screen monitor arm and dual screen monitor arms available.

- Gas spring perfectly counterbalances the weight of your monitor
- Built in cable management elegantly hides any cables that are attached to displays
- Slide-in 75mm and 100mm VESA mounting plate for quick attachment and detachment
- Dual screen monitor arm not compatible with 24", 30" or 36" organizer frames and must be mounted in the double wide "inner" uprights of the 48", 60", 72, or 96" organizer frames
- Monitor arms available in Black (only), mounting plate can be matched to organizer frame

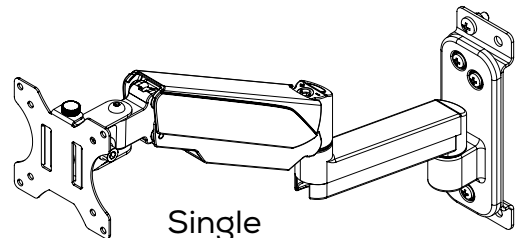
HOW TO SPECIFY

1. Choose your monitor arm

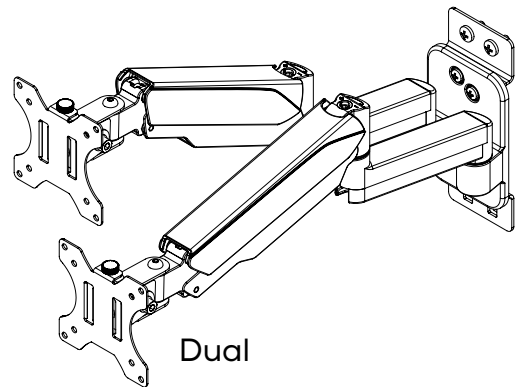
- Single screen monitor arm
- Dual screen monitor arm

2. Choose the monitor arm mounting plate finishes

- Powder Paint Color (if applicable)
- Powder coat paint can be matched to TechWorks organizer frame



Single



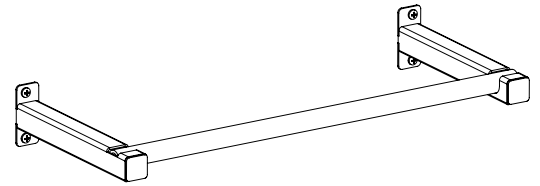
Dual

ORGANIZER FRAME ACCESSORIES

Hanging Bar

TechWorks Hanging Bar provides storage for spooled items including 3D printer filament, packaging supplies, and wire. TechWorks Hanging Bar can be used with straight organizer frames and corner and L-shaped organizer frames "outer" sections only (not compatible with corner organizer frames and L-shaped organizer frames "inner" sections).

- Hanging Bar weight capacity is 100lbs
- Hanging bar is adjustable on 1" increments
- Hanging bars install and can be relocated for easy adaptability
- Hanging bar tube is 1 ½" in diameter



HOW TO SPECIFY

1. Choose the hanging bar width that matches your organizer frame section

- 24" • 30" • 36" • 48" • 60" • 72"

2. Choose the hanging bar finishes (see finish options pg. 25)

- Powder Paint Color
- Powder coat paint can be matched to TechWorks organizer frame

Vertical Cable Organizer

TechWorks Vertical Cable Organizer mounts to the interior of the organizer frame upright to hold cables in place and conceal cables in the vertical uprights.

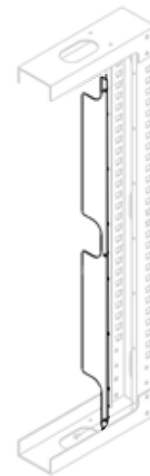
HOW TO SPECIFY

1. Choose the vertical cable organizer height that matches your organizer frame height

- 24" • 36" • 48"

2. Choose the Vertical Cable Organizer finishes (see finish options pg. 25)

- Powder Paint Color
- Powder coat paint can be matched to TechWorks organizer frame



Cable Trough

TechWorks Cable Trough mounts to between organizer frame upright in on the back side of the organizer frame to hold cables in place.

- Not compatible with Corner or L-Shaped organizer frames "inner" sections.

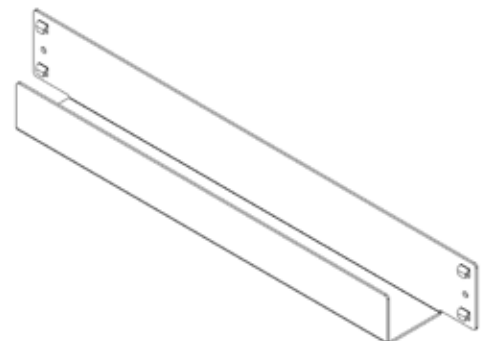
HOW TO SPECIFY

1. Choose the vertical cable organizer width that matches your organizer frame section

- 24" • 30" • 36"

2. Choose the Cable Trough finishes (see finish options pg. 25)

- Powder Paint Color
- Powder coat paint can be matched to TechWorks organizer frame

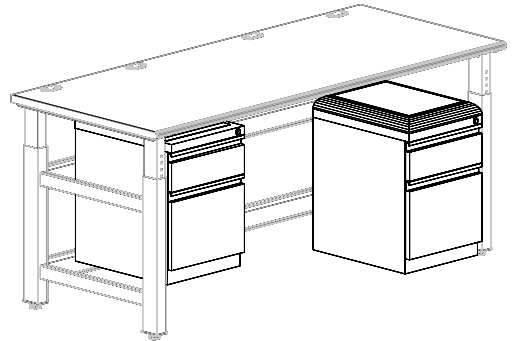


BASE ACCESSORIES

Pedestals

Pedestals have a two-drawer Box/File configuration with each drawer featuring full width drawer pulls and full extension pressing ball-bearing slides. File drawers accommodate letter-size files.

- Fixed, Mobile, or Suspended versions available
- Optional cushion available: Adds 2" to overall height (black faux leather upholstery only)
- Lock is standard
- Suspended pedestal not compatible with TechWorks Corner Benches, and L-Shaped Benches
- The suspended pedestal in combination with a base shelf will require the bench work surface to be placed no lower than 32" from the floor



HOW TO SPECIFY

1. Choose the model

- Fixed-Freestanding
15"W x 19.88"D x 21.44"H
- Mobile-Freestanding
15"W x 19.88"D x 21.75"H
- Suspended (mounts under TechWorks bench worksurfaces)
15"W x 19.88"D x 21.26"H

2. Choose the Pedestal paint color for Fixed or Mobile Pedestal

- Black (S5)
- Silver (HK5)

3. Choose the Suspended Pedestal finish (see finish options pg. 25)

- Powder Paint Color
- Powder coat paint can be matched to TechWorks organizer frame

4. Add optional cushion (item CSH20) to Fixed or Mobile Pedestal

Utility Drawer

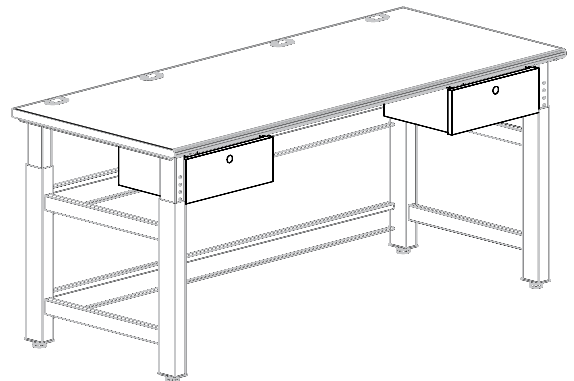
Utility Drawer mounts under the worksurface and provides storage office accessories and other small items.

- 16"W x 13"D x 6"H
- Benches 30"W or larger can accommodate up to 1 tool drawer; Benches 48"W or larger can accommodate up to 2 tool drawers
- Lock is Standard
- Tool drawer not compatible with TechWorks Electric Height-Adjustable Benches, Corner Benches, and L-Shaped Benches

HOW TO SPECIFY

1. Choose the Utility Drawer finishes (see finish options pg. 25)

- Powder Paint Color
- Powder coat paint can be matched to TechWorks Bench frame



BASE ACCESSORIES

Tote Holder

TechWorks Tote holder provides storage of totes below the works surface and is compatible with all TechWorks benches.

- Totes and glides must be specified separately.
- Tote holder can hold up to 5-3"H totes, 2-6"H totes, 1-9"H tote or 1-12"H tote if the bench has a base shelf
- Tote holder can hold up to 5-3"H totes, 2-6"H totes, 2-9"H totes or 2-12"H totes if the bench does not have a base shelf
- Tote kits come standard with tote, glides, hardware bag, and optional use mobile stop clips
- Tote weight capacities: 3"H-10lbs per tote, 6"H, 9"H and 12"H-20lbs per tote
- Tote holder dimensions: 13 $\frac{3}{4}$ "W x 18 $\frac{3}{4}$ "D x 19"H
- Tote dimensions: 12 $\frac{1}{4}$ "W x 17"D x 3,6,9,or 12"H

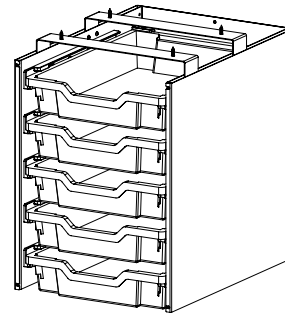
HOW TO SPECIFY

1. Choose the Tote Holder finishes

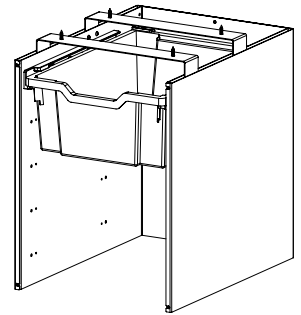
- Powder Paint Color (if applicable)
- Powder coat paint can be matched to TechWorks bench frame

2. Choose your tote & glide kit(s)

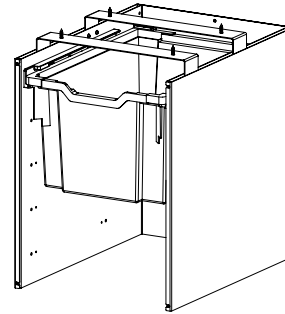
- TWT3CL-3"H Tote 5pk • TWT6CL-6"H Tote 1pk • TWT9CL-9"H Tote 1pk • TWT12CL-12"H Tote 1pk



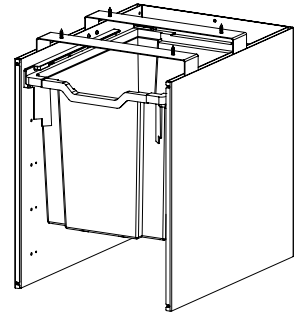
TWT3CL



TWT6CL



TWT9CL



TWT12CL

Pull Out Writing Shelf

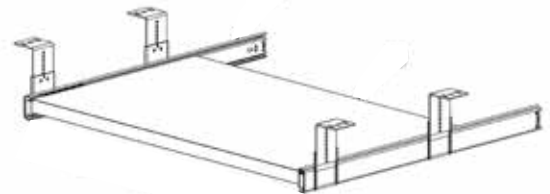
Pull Out Writing Shelf mounts under the Bench worksurface and pulls out on two glides to provide an additional work space.

- Weight Capacity is 60lbs
- 20"W x 12 $\frac{1}{4}$ "D
- Pull out writing shelf not compatible with TechWorks Electric Height-Adjustable Benches, Corner Benches, and L-Shaped Benches
- Available in HPL

HOW TO SPECIFY

1. Choose the pull out shelf finishes (see finish options pg. 25)

- HPL Color • Edge Band Color



BASE ACCESSORIES

Power Strips

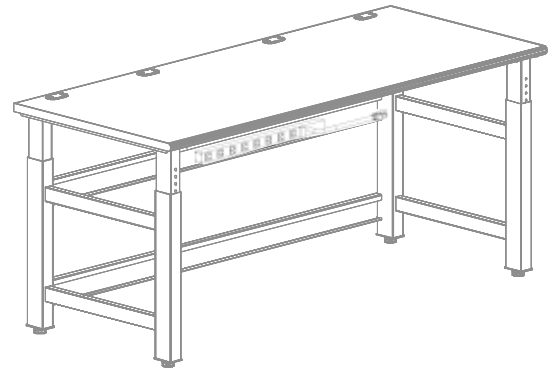
Power strips mount under the work surface and include a lighted power switch with snap in guard. Each power strip includes a 15' power cord.

- All mounting hardware is included
- Not compatible with TechWorks Electric Height-Adjustable Benches
- It is recommended that you choose a power strip width that is less than the width of your bench to ensure proper fit when using in side-to-side benching applications

HOW TO SPECIFY

1. Choose your desired power strip width

- 24" (8 outlets)
- 48" (16 outlets)
- 60" (20 outlets)
- 72" (24 outlets)



Service Bars

Service Bars mount under the worksurface with mechanical fasteners and include opening for cable pass through and air, gas, and vacuum fixtures.

- Most service bars include powers strip (no power strip included with item 737)
- Cable pass though not available on models without power strips
- Not compatible with TechWorks Electric Height-Adjustable Benches

HOW TO SPECIFY

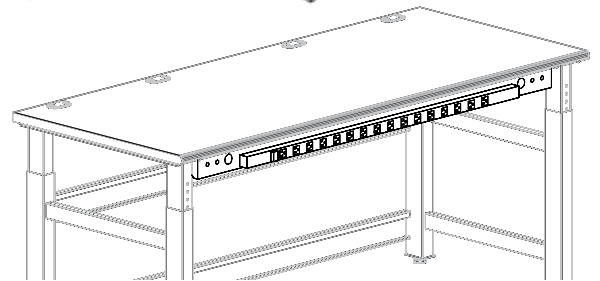
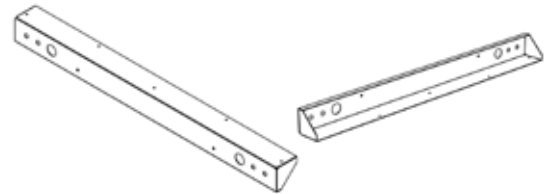
1. Choose service bar width that matches your bench width

- 48" (8 outlets)
- 60" (12 outlets)
- 72" (16 outlets)

Or chose item 737 for universal service bar (19" wide) without power strip

2. Choose the service bar finishes (see finish options pg. 25)

- Powder Paint Color
- Powder coat paint can be matched to TechWorks bench frame



Keyboard Trays

Retractable platform keyboard trays mount under the worksurface and include keyboard platform, 9.5" diameter mouse tray, and foam wrist rest. Trackless (item 195TKLS) and track-based (item 20150BL) models available.

- Item number 195TKL available in black or white

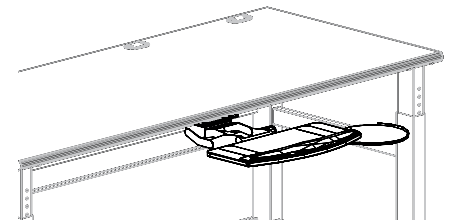
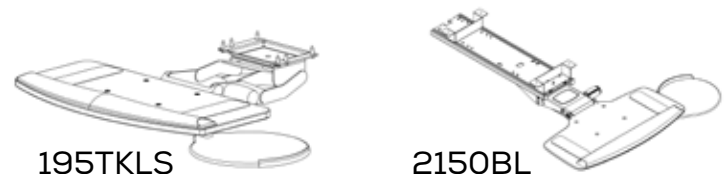
HOW TO SPECIFY

1. Choose your keyboard tray model

- 195TKLS
- 2150BL

2. Choose your keyboard tray color for item 195TKLS

- Black
- White



Cable Basket

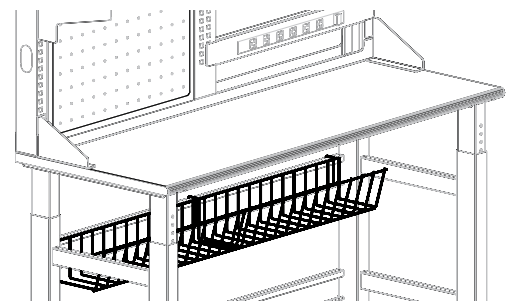
Cable basket mounts to the bench spreader bar on the Techworks bench base to organize and store cables for a cleaner workspace appearance.

- Cable Basket available in Black (only)
- Not compatible with TechWorks Electric Height-Adjustable Benches

HOW TO SPECIFY

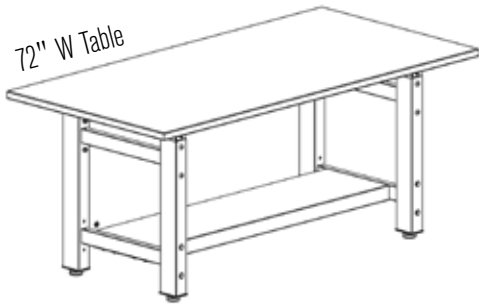
1. Choose Cable Basket width that matches your bench width

- 48"
- 60"
- 72"

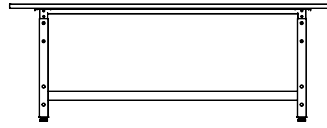


TABLES

72" W Table



FRONT



TOP



Table has 12" of travel range measuring 26" to 38" from the floor to the top of the work surface. Adjusts in 1" increments with threaded fasteners. Table comes standard with leveling glides; optional casters are available (item # 350221 Caster-4pk) but will add 3" to overall bench height. Ships knocked down.

-
- Table holds 1,000lbs evenly distributed
 - Table standard work surface options include HPL (High Pressure Laminate 1 1/8" thick), Butcher Block (1 3/4" thick), or ESD (Electro-Static Discharge 1 1/8" thick) with ground terminus, Stainless Steel work-surface is 1 5/8" thick 16GA, type 304, #4 finish with wrapped and welded corners and a particle board core
 - Attach multiple table work surfaces together using connector kit (Item # 790)
 - Tables available with Rectangular (add suffix R to part number) or Peninsula (add suffix P to part number) work surfaces
 - Full base shelf under the work surface is required
 - Work surface does not include grommet holes
 - Tables are not compatible with organizer frames and under work surface accessories
-

HOW TO SPECIFY

1. Choose your bench work surface material

- HPL
- Stainless Steel
- Butcher-block
- ESD (includes grounding terminus; coordinating accessories available on pg. 25)

2. Choose your table depth

- 30"
- 36"

3. Choose your table width

- 48"
- 60"
- 72"

4. Choose your work surface shape

- Rectangle (add suffix R to part number)
- Peninsula (add suffix P to part number)

5. Choose your bench finishes (see finish options pg. 25)

- Powder coat paint color
- Work surface color if applicable

FINISHES

STANDARD PAINT FINISHES

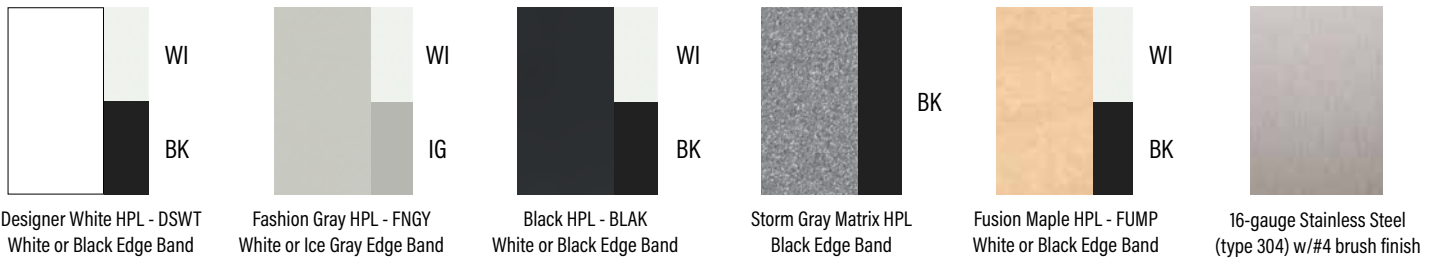
Metal is finished with our durable powder coat paint to reduce scratching, chipping and wear. All paint finishes are inspected to ensure quality and color validity.



WORK SURFACES FINISHES

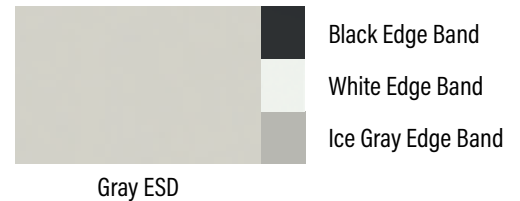
HPL

1 1/8" Thick High Pressure Laminate (HPL) is bonded with is 1" thick 45lb. density particle board particleboard. Edges are thermally bonded with PVC edge banding. Ideal for use in product testing and technology environments.



ESD HPL

1 1/8" Thick Electro Static Discharge (ESD) High Pressure Laminate has a conductive layer that diffuses static electricity, which may help protect electronics. ESD work surfaces are predrilled (rear center of work surface) for grounding terminus (included with work surfaces). Other ESD accessories available (see below). Ideal for use in Clean Rooms, Device Manufacturing, Electronics Testing & Medical Environments.



HARDWOOD BUTCHER BLOCK

1 3/4" Thick Hardwood work surfaces with 1/8" radius edge (no edge banding) Butcher Block work surfaces are made of kiln-dried strips which are face glued, sanded smooth and finished (standard mix of hardwoods). Ideal for use in Electrical, Industrial, & training environments.

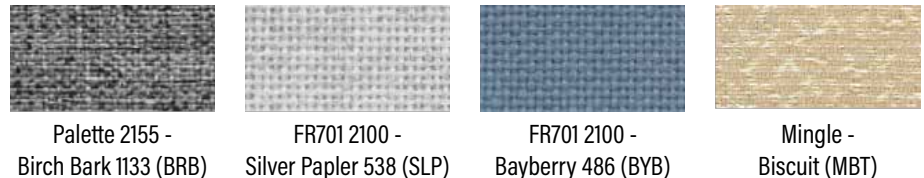


Additional worksurface colors and materials including LPL, Stainless Steel, Phenolic Resin and Chemical Resistant Laminate may be available. Please contact specials@safcoproducts.com for more information.

FABRIC FINISHES

Fabrics for fabric screen available in a variety of colors.

*Additional fabric options may be available. Please contact specials@safcoproducts.com to request additional information.



ESD ACCESSORIES

All TechWorks ESD worksurfaces and shelves include grounding terminus, located in the rear center of the item. Additional ESD accessories are available for use with your ESD worksurfaces and shelves.

- ESD grounding bar provides a common grounding point for managing multiple ground wires
- ESD wrist strap must be used with grounding jack for proper grounding
- ESD grounding jack accommodates 4 standard banana jacks (on the end of wrist straps)

How to Specify

1. Choose your ESD accessories

- ESD grounding bar
- ESD grounding jack
- ESD wrist strap

NOTE: SAFCO IS NOT RESPONSIBLE FOR ELECTRICAL INSTALLATIONS THAT VIOLATE LOCAL CODE. IT IS RECOMMENDED THAT AN ELECTRICIAN VERIFIES ALL PLANS AND COMPLETES INSTALLATION OF ELECTRICAL COMPONENTS.

• Order as components

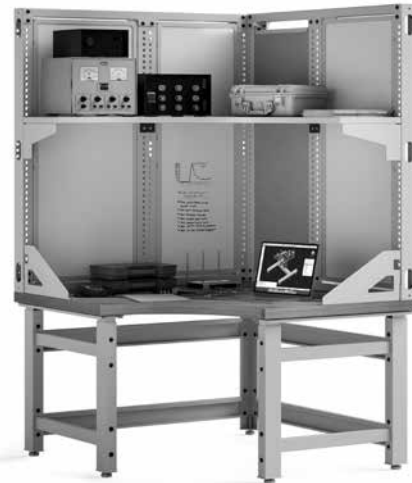
GSA



Layout A

QTY.	DESCRIPTION	MODEL NO.
1	48" W x 30" D Adj. Bench with HPL Surface	700H3
1	48" W x 48" H, Upper Frame	707
1	24" W x 12" D x 16" H, Lockable Storage Bin	763
1	24" W, High Pressure Laminate Fixed Shelf	79712H
1	Partial Base Shelf, 48" W x 12" D	738
1	24" W x 24" H, Peg Board-Steel	752S
4	24" W x 3" H, Part Bin Strip	758
1	Keyboard/Mouse Platform, 17" W x 21 3/4" D, 9 1/2" Dia. Mouse Platform, Black	2150BL
1	Techworks Single Screen Monitor Arm	TWM1
1	48" W LED Fixed-Height Overhead Light	791L

GSA



Layout B

QTY.	DESCRIPTION	MODEL NO.
1	48" W x 30" D Adjustable Corner Bench with Butcher Block Surface	729B3
1	48" W x 48" H, Upper Corner Frame	716
1	48" W, High Pressure Laminate Corner Shelf	72012H
1	20" W x 48" H, Fabric Screen	746FC
1	20" W x 48" H, Whiteboard	746CDE
2	24" W x 48" H, Whiteboard	746DE

GSA



Layout C

QTY.	DESCRIPTION	MODEL NO.
1	72" W x 48" x 30" D L.H. Adjustable "L" Bench with Butcher Block Surface	729B305
1	72" W x 48" D x 48" H, Upper "L" Frame	71503
1	48" W, High Pressure Laminate Corner Shelf	72012H
1	Partial Corner Base Shelf 72" W x 12" D	740C
1	20" W x 48" H, Fabric Screen	746FC
1	24" W x 48" H, Fabric Screen	746F
1	20" W x 48" H, Whiteboard	746CDE
1	24" W x 48" H, Whiteboard	746DE
1	24" W x 48" H, Peg Board-Masonite	754
1	24" W, 15 amp Power Strip, 8 outlets, 15' cord	765

GSA



Layout D

QTY.	DESCRIPTION	MODEL NO.
2	48" W x 30" D Adj. Bench with HPL Surface	700H3
2	48" W x 48" H, Upper Frame	707
2	Partial Base Shelf, 48" W x 12" D	738
4	48" W, High Pressure Laminate Fixed Shelf	71712H

- Order as components



Layout E

QTY.	DESCRIPTION	MODEL NO.
1	60"W x 30"D Electric Height-Adjustable Bench with Butcher Block Surface	727B3HA
1	60"W x 48"H, Upper Straight Frame	710
1	60"W x 18"D, HPL Fixed Shelf	718H
1	30"W x 18"D, HPL Tilt Shelf	798TH
1	48"W, 15 amp Power Strip, 16 outlets, 15' cord	767
1	Techworks Single Screen Monitor Arm	TWM1



Layout F

QTY.	DESCRIPTION	MODEL NO.
2	60"W x 36"D Adj. Bench with Butcher Block Surface	702B3
1	72"W x 30"D Adj. Table with Butcher Block Surface	7748BP
2	60"W x 48"H, Upper Corner Frame	762
2	30"W x 12"D x 16"H, Lockable Storage Bin	764
4	30"W x 12"D, High Pressure Laminate Fixed Shelf	79812H
1	Techworks Single Screen Monitor Arm	TWM1
2	30"W x 48"H, Fabric Screen	749F
2	Box/File Mobile Pedestal	PH20SM
2	Black Faux Leather Cushion	CSH20

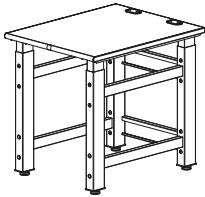
TechWorks® High Pressure Laminate (HPL) Benches

Safco® Products marketing materials are designed to be used as sales tools for our Dealer network.

- TechWorks® High Pressure Laminate (HPL) benches support up to 1000lbs
- High Pressure Laminate worksurface is 1 1/8" thick with 3mm PVC edge band
- Benches come standard with 3" cable management grommets on the worksurface for ease of routing cables
- Additional colors and worksurface materials are available-upcharges, minimums and extended lead times may apply. Call 1-888-971-6225 for quotation.

- TechWorks® Stainless Steel benches support up to 1000lbs
- Stainless Steel worksurface is 1 5/8" thick 16GA, type 304, #4 finish with wrapped and welded corners and a particle board core
- Stainless Steel Benches are NOT compatible with TechWorks® organizer frames and accessories
- Stainless Steel Benches are NOT available with 3" cable management grommets on the worksurface
- Only available in select sizes (no corner or L-shaped benches)
- Additional lead-times may apply, please refer to our lead-times document
- Additional colors and worksurface materials are available-upcharges, minimums and extended lead times may apply. See Pages 10-11

Let Our Professional Design Staff Help You with TechWorks® Space Planning, contact your local Safco Sales Rep Group.



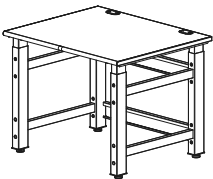
700H301

GSA

Item	Description	Weight
24" Straight Bench		
7024H301	24"W x 24"D Adjustable Bench with High Pressure Laminate Surface	118
700H301	24"W x 30"D Adjustable Bench with High Pressure Laminate Surface	120
701H302	24"W x 36"D Adjustable Bench with High Pressure Laminate Surface	125
Stainless Steel Surface		
7024S01	24"W x 24"D Adjustable Bench with Stainless Steel Surface (No Grommets)	130
700S01	24"W x 30"D Adjustable Bench with Stainless Steel Surface (No Grommets)	136
701S01	24"W x 36"D Adjustable Bench with Stainless Steel Surface (No Grommets)	142

GSA

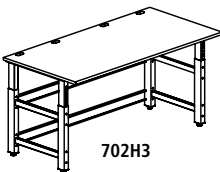
30" Straight Bench		
7124H301	30"W x 24"D Adjustable Bench with High Pressure Laminate Surface	121
705H301	30"W x 30"D Adjustable Bench with High Pressure Laminate Surface	128
705H302	30"W x 36"D Adjustable Bench with High Pressure Laminate Surface	135
Stainless Steel Surface		
7124S01	30"W x 24"D Adjustable Bench with Stainless Steel Surface (No Grommets)	135
705S01	30"W x 30"D Adjustable Bench with Stainless Steel Surface (No Grommets)	145
705S02	30"W x 36"D Adjustable Bench with Stainless Steel Surface (No Grommets)	149



700H302

GSA

36"W Straight Bench		
7224H301	36"W x 24"D Adjustable Bench with High Pressure Laminate Surface	126
700H302	36"W x 30"D Adjustable Bench with High Pressure Laminate Surface	130
701H303	36"W x 36"D Adjustable Bench with High Pressure Laminate Surface	142
Stainless Steel Surface		
7224S01	36"W x 24"D Adjustable Bench with Stainless Steel Surface (No Grommets)	143
700S02	36"W x 30"D Adjustable Bench with Stainless Steel Surface (No Grommets)	146
700S03	36"W x 36"D Adjustable Bench with Stainless Steel Surface (No Grommets)	160



702H3

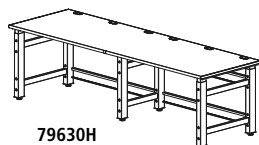
GSA

48"W Straight Bench		
70024H3	48"W x 24"D Adjustable Bench with High Pressure Laminate Surface	131
700H3	48"W x 30"D Adjustable Bench with High Pressure Laminate Surface	139
701H3	48"W x 36"D Adjustable Bench with High Pressure Laminate Surface	150
Stainless Steel Surface		
70024S	48"W x 24"D Adjustable Bench with Stainless Steel Surface (No Grommets)	145
700S	48"W x 30"D Adjustable Bench with Stainless Steel Surface (No Grommets)	168
701S	48"W x 36"D Adjustable Bench with Stainless Steel Surface (No Grommets)	189

GSA

60"W Straight Bench		
72724H3	60"W x 24"D Adjustable Bench with High Pressure Laminate Surface	139
727H3	60"W x 30"D Adjustable Bench with High Pressure Laminate Surface	155
702H3	60"W x 36"D Adjustable Bench with High Pressure Laminate Surface	170
Stainless Steel Surface		
72724S	60"W x 24"D Adjustable Bench with Stainless Steel Surface (No Grommets)	164
727S	60"W x 30"D Adjustable Bench with Stainless Steel Surface (No Grommets)	193
702S	60"W x 36"D Adjustable Bench with Stainless Steel Surface (No Grommets)	213

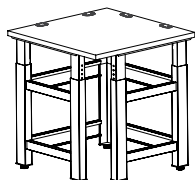
Item	Description	Weight
GSA 72"W Straight Bench		
72824H3	72"W x 24"D Adjustable Bench with High Pressure Laminate Surface	170
728H3	72"W x 30"D Adjustable Bench with High Pressure Laminate Surface	175
703H3	72"W x 36"D Adjustable Bench with High Pressure Laminate Surface	185
Stainless Steel Surface		
72824S	72"W x 24"D Adjustable Bench with Stainless Steel Surface (No Grommets)	201
728S	72"W x 30"D Adjustable Bench with Stainless Steel Surface (No Grommets)	221
703S	72"W x 36"D Adjustable Bench with Stainless Steel Surface (No Grommets)	242



79630H

GSA 96"W Straight Bench		
79624H3	96"W x 24"D Adjustable Bench with High Pressure Laminate Surface	198
79636H3	96"W x 36"D Adjustable Bench with High Pressure Laminate Surface	245
Stainless Steel Surface		
79624S	96"W x 24"D Adjustable Bench with Stainless Steel Surface (No Grommets)	242
79630S	96"W x 30"D Adjustable Bench with Stainless Steel Surface (No Grommets)	276
79636S	96"W x 36"D Adjustable Bench with Stainless Steel Surface (No Grommets)	306

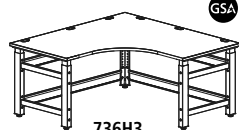
Note: 96"W Benches have short depth 3rd leg in center for additional support



705HCR

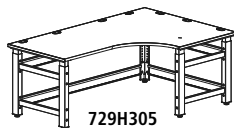
GSA 24"W Corner Bench (Benches do not have cutout on front)		
704HCR	24"W x 24"D Corner Adjustable Bench with High Pressure Laminate Surface	128
GSA 30"W Corner Bench (Benches do not have cutout on front)		
705HCR	30"W x 30"D Corner Adjustable Bench with High Pressure Laminate Surface	138
GSA 36"W Corner Bench (Benches do not have cutout on front)		
701HCR	36"W x 36"D Corner Adjustable Bench with High Pressure Laminate Surface	152

GSA 48"W Corner Bench		
72924H3	48"W x 24"D Corner Adjustable Bench with High Pressure Laminate Surface	170
729H3	48"W x 30"D Corner Adjustable Bench with High Pressure Laminate Surface	180
704H3	48"W x 36"D Corner Adjustable Bench with High Pressure Laminate Surface	185



736H3

GSA 60"W Corner Bench		
73624H3	60"W x 24"D Corner Adjustable Bench with High Pressure Laminate Surface	182
736H3	60"W x 30"D Corner Adjustable Bench with High Pressure Laminate Surface	192
736H301	60"W x 36"D Corner Adjustable Bench with High Pressure Laminate Surface	206

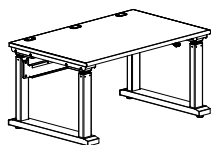


729H305

GSA L-Shaped Bench		
72924H305	72"W x 48" x 24"D L.H. Adjustable "L" Bench with High Pressure Laminate Surface	161
72924H307	72"W x 48" x 24"D R.H. Adjustable "L" Bench with High Pressure Laminate Surface	161
729H305	72"W x 48" x 30"D L.H. Adjustable "L" Bench with High Pressure Laminate Surface	167
729H307	72"W x 48" x 30"D R.H. Adjustable "L" Bench with High Pressure Laminate Surface	167
729H308	72"W x 48" x 36"D L.H. Adjustable "L" Bench with High Pressure Laminate Surface	189
729H309	72"W x 48" x 36"D R.H. Adjustable "L" Bench with High Pressure Laminate Surface	189

Electric Height Adjustable Benches **GSA PROP 85**

700H3HA	48"W x 30"D Electric Height Adjustable Bench with High Pressure Laminate Surface	165
727H3HA	60"W x 30"D Electric Height Adjustable Bench with High Pressure Laminate Surface	185
728H3HA	72"W x 30"D Electric Height Adjustable Bench with High Pressure Laminate Surface	205
Stainless Steel Surface		
700SHA	48"W x 30"D Electric Height Adjustable Bench with Stainless Steel Surface (No Grommets)	200
727SHA	60"W x 30"D Electric Height Adjustable Bench with Stainless Steel Surface (No Grommets)	214
728SHA	72"W x 30"D Electric Height Adjustable Bench with Stainless Steel Surface (No Grommets)	238

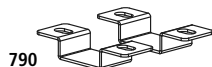


727H3HA

CASTER KITS AND CONNECTORS **GSA**

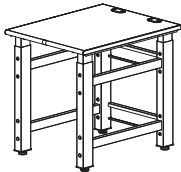
- Adding casters to a bench will add 3" to the overall bench height
- Each caster kit includes 2 locking casters which, lock the wheel. The remaining casters will not have a locking mechanism

Model No.	Description	Weight
742	Caster Kit (5) for corner units	9
350221	Caster Kit (4)	7
790	Connector kit *(two brackets to secure side-by-side benches)	2



790

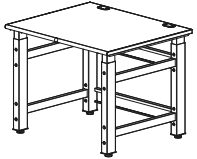
- TechWorks® Butcher Block benches support up to 1000lbs
- Butcher Block worksurface is 1 3/4" thick with 1/8" radius edge
- Benches come standard with 3" cable management grommets on the worksurface for ease of routing cables
- Additional colors and worksurface materials are available-upcharges, minimums and extended lead times may apply. See Pages 10-11. Call 1-888-971-6225 for quotation.



700B302

Model No.	Description	Weight
GSA 24" Straight Bench		
7024B301	24"W x 24"D Adjustable Bench with Butcher Block Surface	124
700B302	24"W x 30"D Adjustable Bench with Butcher Block Surface	130
701B302	24"W x 36"D Adjustable Bench with Butcher Block Surface	136

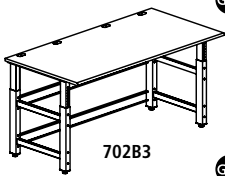
GSA 30" Straight Bench		
7124B301	30"W x 24"D Adjustable Bench with Butcher Block Surface	135
705B301	30"W x 30"D Adjustable Bench with Butcher Block Surface	139
705B302	30"W x 36"D Adjustable Bench with Butcher Block Surface	143



700B303

GSA 36"W Straight Bench		
7224B301	36"W x 24"D Adjustable Bench with Butcher Block Surface	137
700B303	36"W x 30"D Adjustable Bench with Butcher Block Surface	140
701B303	36"W x 36"D Adjustable Bench with Butcher Block Surface	154

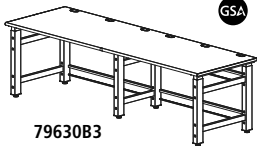
GSA 48"W Straight Bench		
70024B3	48"W x 24"D Adjustable Bench with Butcher Block Surface	151
700B3	48"W x 30"D Adjustable Bench with Butcher Block Surface	162
701B3	48"W x 36"D Adjustable Bench with Butcher Block Surface	183



702B3

GSA 60"W Straight Bench		
72724B3	60"W x 24"D Adjustable Bench with Butcher Block Surface	158
727B3	60"W x 30"D Adjustable Bench with Butcher Block Surface	187
702B3	60"W x 36"D Adjustable Bench with Butcher Block Surface	207

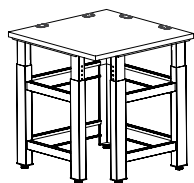
GSA 72"W Straight Bench		
72824B3	72"W x 24"D Adjustable Bench with Butcher Block Surface	195
728B3	72"W x 30"D Adjustable Bench with Butcher Block Surface	215
703B3	72"W x 36"D Adjustable Bench with Butcher Block Surface	236



79630B3

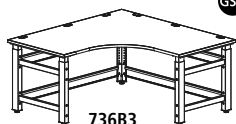
GSA 96"W Straight Bench		
79624B3	96"W x 24"D Adjustable Bench with Butcher Block Surface	237
79630B3	96"W x 30"D Adjustable Bench with Butcher Block Surface	270
79636B3	96"W x 36"D Adjustable Bench with Butcher Block Surface	300

Note: 96" W Benches have short depth 3rd leg in center for additional support



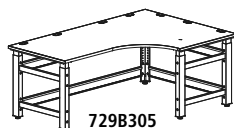
705BCR

Model No.	Description	Weight
GSA 24" W Corner Bench (Benches do not have cutout on front)		
704BCR	24"W x 24"D Corner Adjustable Bench with Butcher Block Surface	134
GSA 30" W Corner Bench (Benches do not have cutout on front)		
705BCR	30"W x 30"D Corner Adjustable Bench with Butcher Block Surface	149
GSA 36" W Corner Bench (Benches do not have cutout on front)		
701BCR	36"W x 36"D Corner Adjustable Bench with Butcher Block Surface	164
GSA 48" W Corner Bench		
72924B3	48"W x 24"D Corner Adjustable Bench with Butcher Block Surface - 2 piece top	170
729B3	48"W x 30"D Corner Adjustable Bench with Butcher Block Surface - 2 piece top	220
704B3	48"W x 36"D Corner Adjustable Bench with Butcher Block Surface - 2 piece top	230



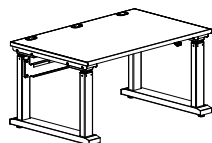
736B3

GSA 60" W Corner Bench		
73624B3	60"W x 24"D Corner Adjustable Bench with Butcher Block Surface - 2 piece top	222
736B3	60"W x 30"D Corner Adjustable Bench with Butcher Block Surface - 2 piece top	232
736B301	60"W x 36"D Corner Adjustable Bench with Butcher Block Surface - 2 piece top	246



729B305

GSA L-Shaped Bench		
72924B305	72"W x 48" x 24"D L.H. Adjustable "L" Bench with Butcher Block Surface - 2 piece top	225
72924B307	72"W x 48" x 24"D R.H. Adjustable "L" Bench with Butcher Block Surface - 2 piece top	225
729B305	72"W x 48" x 30"D L.H. Adjustable "L" Bench with Butcher Block Surface - 2 piece top	250
729B307	72"W x 48" x 30"D R.H. Adjustable "L" Bench with Butcher Block Surface - 2 piece top	250
729B308	72"W x 48" x 36"D L.H. Adjustable "L" Bench with Butcher Block Surface - 2 piece top	270
729B309	72"W x 48" x 36"D R.H. Adjustable "L" Bench with Butcher Block Surface - 2 piece top	270



727B3HA

Electric Height Adjustable Benches



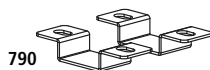
700B3HA	48"W x 30"D Electric Height Adjustable Bench with Butcher Block Surface	184
727B3HA	60"W x 30"D Electric Height Adjustable Bench with Butcher Block Surface	208
728B3HA	72"W x 30"D Electric Height Adjustable Bench with Butcher Block Surface	232

CASTER KITS AND CONNECTORS



- Adding casters to a bench will add 3" to the overall bench height
- Each caster kit includes 2 locking casters which, lock the wheel. The remaining casters will not have a locking mechanism

Model No.	Description	Weight
742	Caster Kit (5) for corner units	9
350221	Caster Kit (4)	7
790	Connector kit *(two brackets to secure side-by-side benches)	2



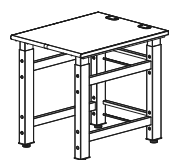
790

TechWorks® Benches with ESD Laminate Surface

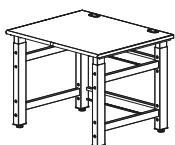
Safco® Products marketing materials are designed to be used as sales tools for our Dealer network.

- TechWorks® benches with ESD laminate worksurface support up to 1000lbs
- ESD laminate worksurface is 1 1/8" thick with 3mm PVC edge banding
- Benches come standard with grounding terminus, other ESD accessories must be specified separatel

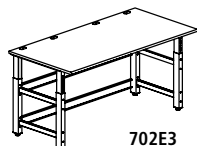
- Benches come standard with 3" cable management grommets on the worksurface for ease of routing cables
- Additional colors and worksurface materials are available-upcharges, minimums and extended lead times may apply. See Pages 10-11. Call 1-888-971-6225 for quotation.



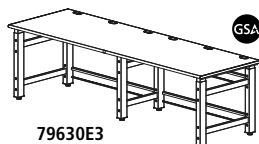
700LE301



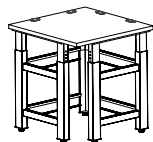
700LE302



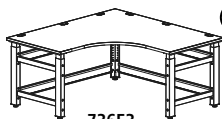
702E3



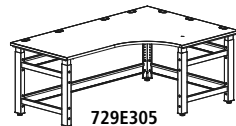
79630E3



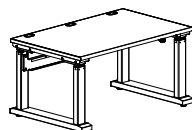
705ECR



736E3



729E305

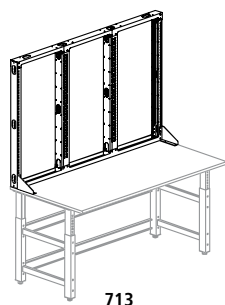


727E3HA

Model No.	Description	Weight
GSA 24" Straight Bench		
7024LE301	24"W x 24"D Adjustable Bench with ESD Laminate Surface	118
700LE301	24"W x 30"D Adjustable Bench with ESD Laminate Surface	120
701LE302	24"W x 36"D Adjustable Bench with ESD Laminate Surface	125
GSA 30" Straight Bench		
7124LE301	30"W x 24"D Adjustable Bench with ESD Laminate Surface	121
705LE301	30"W x 30"D Adjustable Bench with ESD Laminate Surface	128
705LE302	30"W x 36"D Adjustable Bench with ESD Laminate Surface	135
GSA 36"W Straight Bench		
7224LE301	36"W x 24"D Adjustable Bench with ESD Laminate Surface	126
700LE302	36"W x 30"D Adjustable Bench with ESD Laminate Surface	130
701LE303	36"W x 36"D Adjustable Bench with ESD Laminate Surface	142
GSA 48"W Straight Bench		
70024E3	48"W x 24"D Adjustable Bench with ESD Laminate Surface	131
700E3	48"W x 30"D Adjustable Bench with ESD Laminate Surface	139
GSA 60"W Straight Bench		
72724E3	60"W x 24"D Adjustable Bench with ESD Laminate Surface	139
727E3	60"W x 30"D Adjustable Bench with ESD Laminate Surface	155
702E3	60"W x 36"D Adjustable Bench with ESD Laminate Surface	170
GSA 72"W Straight Bench		
72824E3	72"W x 24"D Adjustable Bench with ESD Laminate Surface	170
728E3	72"W x 30"D Adjustable Bench with ESD Laminate Surface	175
703E3	72"W x 36"D Adjustable Bench with ESD Laminate Surface	185
GSA 96"W Straight Bench		
79624E3	96"W x 24"D Adjustable Bench with ESD Laminate Surface	198
79630E3	96"W x 30"D Adjustable Bench with ESD Laminate Surface	225
79636E3	96"W x 36"D Adjustable Bench with ESD Laminate Surface	245
Note: 96"W Benches have short depth 3rd leg in center for additional support		
GSA 24"W Corner Bench (Benches do not have cutout on front)		
704ECR	24"W x 24"D Corner Adjustable Bench with ESD Laminate Surface	128
GSA 30"W Corner Bench (Benches do not have cutout on front)		
705ECR	30"W x 30"D Corner Adjustable Bench with ESD Laminate Surface	138
GSA 36"W Corner Bench (Benches do not have cutout on front)		
701ECR	36"W x 36"D Corner Adjustable Bench with ESD Laminate Surface	152
GSA 48"W Corner Bench		
72924E3	48"W x 24"D Corner Adjustable Bench with ESD Laminate Surface	170
729E3	48"W x 30"D Corner Adjustable Bench with ESD Laminate Surface	180
704E3	48"W x 36"D Corner Adjustable Bench with ESD Laminate Surface	185
GSA 60"W Corner Bench		
73624E3	60"W x 24"D Corner Adjustable Bench with ESD Laminate Surface	182
736E3	60"W x 30"D Corner Adjustable Bench with ESD Laminate Surface	192
736E301	60"W x 36"D Corner Adjustable Bench with ESD Laminate Surface	206
GSA L-Shaped Bench		
72924E305	72"W x 48" x 24"D L.H. Adjustable "L" Bench with ESD Laminate Surface	161
72924E307	72"W x 48" x 24"D R.H. Adjustable "L" Bench with ESD Laminate Surface	161
729E305	72"W x 48" x 30"D L.H. Adjustable "L" Bench with ESD Laminate Surface	167
729E307	72"W x 48" x 30"D R.H. Adjustable "L" Bench with ESD Laminate Surface	167
729E308	72"W x 48" x 36"D L.H. Adjustable "L" Bench with ESD Laminate Surface	189
729E309	72"W x 48" x 36"D R.H. Adjustable "L" Bench with ESD Laminate Surface	189
Electric Height Adjustable Benches GSA PROP 85		
700E3HA	48"W x 30"D Electric Height Adjustable Bench with ESD Laminate Surface	165
727E3HA	60"W x 30"D Electric Height Adjustable Bench with ESD Laminate Surface	185
728E3HA	72"W x 30"D Electric Height Adjustable Bench with ESD Laminate Surface	205
CASTER KITS AND CONNECTORS		
• Adding casters to a bench will add 3" to the overall bench height		
• Each caster kit includes 2 locking casters, which lock the wheel. The remaining casters will not have a locking mechanism		
Model No.	Description	Weight
742	Caster Kit (5) for corner units	9
350221	Caster Kit (4)	7
790	Connector kit *(two brackets to secure side-by-side benches)	2

FRAMES 

- Attaches to the worksurface of TechWorks® benches
- Not compatible with Stainless Steel benches
- Organizer frames support a maximum load rating of 400lbs (evenly balanced)
- Uprights are slotted in 1" increments for maximum height adjustability of components
- Organizer frames incorporate openings for bench top grommets



Model No.	Description	Weight
70502	24"W x 24"H, Upper Frame	20
70602	24"W x 36"H, Upper Frame	23
70702	24"W x 48"H, Upper Frame	25
70505	30"W x 24"H, Upper Frame	22
70605	30"W x 36"H, Upper Frame	24
70705	30"W x 48"H, Upper Frame	27
70503	36"W x 24"H, Upper Frame	24
70603	36"W x 36"H, Upper Frame	26
70703	36"W x 48"H, Upper Frame	29
705	48"W x 24"H, Upper Frame*	31
706	48"W x 36"H, Upper Frame*	35
707	48"W x 48"H, Upper Frame*	39

*Order two frames for 96"W bench.

708	60"W x 24"H, Upper Frame	42
709	60"W x 36"H, Upper Frame	45
710	60"W x 48"H, Upper Frame	51
711	72"W x 24"H, Upper Frame	53
712	72"W x 36"H, Upper Frame	59
713	72"W x 48"H, Upper Frame	67

70524	24"W x 24"H, Upper Corner Frame*	55
70624	24"W x 36"H, Upper Corner Frame*	59
70724	24"W x 48"H, Upper Corner Frame*	69

*Consists of one 20"W frame section, each side. (inside Dimensions)

71401	30"W x 24"H, Upper Corner Frame*	58
71402	30"W x 36"H, Upper Corner Frame*	62
71403	30"W x 48"H, Upper Corner Frame*	73

*Consists of one 26"W frame section, each side. (inside dimensions)

71601	36"W x 24"H, Upper Corner Frame*	60
71603	36"W x 36"H, Upper Corner Frame*	67
71604	36"W x 48"H, Upper Corner Frame*	75

*Consists of one 32"W frame section, each side. (inside Dimensions)

714	48"W x 24"H, Upper Corner Frame*	65
715	48"W x 36"H, Upper Corner Frame*	72
716	48"W x 48"H, Upper Corner Frame*	80

*Consists of one 24"W outer frame section and one 20"W inner frame section, each side.

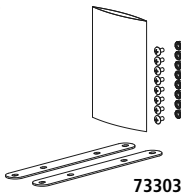
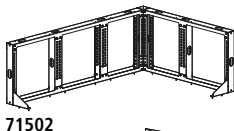
760	60"W x 24"H, Upper Corner Frame*	68
761	60"W x 36"H, Upper Corner Frame*	74
762	60"W x 48"H, Upper Corner Frame*	80

*Consists of one 30"W outer frame section and one 26"W inner frame section, each side.

71502	72"W x 48"D x 24"H, Upper "L" Frame*	64
71501	72"W x 48"D x 36"H, Upper "L" Frame*	70
71503	72"W x 48"D x 48"H, Upper "L" Frame*	76

*Consists of two 24"W outer frame sections and one 20"W inner frame section for the 72"W side. 48"W side consists of one 24"W outer frame section and one 20"W inner frame section.

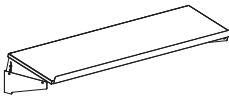
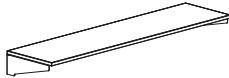
733	Back-to-Back Shared Upper Frame Hardware Kit	14
73303	Back-to-Back organizer frame brace (used with 2 organizer frames)	7



- Cantilevered shelves are height-adjustable on 1" increments
- Tilt shelves have full-length raised safety edge to prevent forward slippage of stored equipment. Shelves are positioned at 0°, 5° or 10° angles
- Tilt shelves not available in 12" depth
- Weight capacity of fixed and tilt shelf is 200 lbs. Corner shelf is 250 lbs
- ESD shelves include grounding terminus

SHELVES 

12"D Model No.	18"D Model No.	Description	Weight 12"D, 18"D
79712H	797H	24"W, High Pressure Laminate Fixed Shelf	22, 29
79712E	797E	24"W, ESD Fixed Shelf	22, 29
797TH		24"W, High Pressure Laminate Tilt Shelf	
797TE		24"W, ESD Tilt Shelf	
79812H	798H	30"W, High Pressure Laminate Fixed Shelf	28, 37
79812E	798E	30"W, ESD Fixed Shelf	28, 37
798TH		30"W, High Pressure Laminate Tilt Shelf	
798TE		30"W, ESD Tilt Shelf	
7173612H	71736H	36"W, High Pressure Laminate Fixed Shelf	33, 44
7173612E	71736E	36"W, ESD Fixed Shelf	33, 44
71736TH		36"W, High Pressure Laminate Tilt Shelf	
71736TE		36"W, ESD Tilt Shelf	
71712H	717H	48"W, High Pressure Laminate Fixed Shelf	34, 45
71712E	717E	48"W, ESD Fixed Shelf	34, 45
717TH		48"W, High Pressure Laminate Tilt Shelf	
717TE		48"W, ESD Tilt Shelf	
71812H	718H	60"W, High Pressure Laminate Fixed Shelf	41, 55
71812E	718E	60"W, ESD Fixed Shelf	41, 55
718TH		60"W, High Pressure Laminate Tilt Shelf	
718TE		60"W, ESD Tilt Shelf	
71912H	719H	72"W, High Pressure Laminate Fixed Shelf	47, 61
71912E	719E	72"W, ESD Fixed Shelf	47, 61
719TH		72"W, High Pressure Laminate Tilt Shelf"	
719TE		72"W, ESD Tilt Shelf	



CORNER SHELVES 

12"D Model No.	18"D Model No.	Description	Weight 12"D, 18"D
7202412H	72024H	24"W, High Pressure Laminate Corner Shelf	32, 42
7202412E	72024E	24"W, ESD Corner Shelf	32, 42
7203012H	72030H	30"W, High Pressure Laminate Corner Shelf	40, 53
7203012E	72030E	30"W, ESD Corner Shelf	40, 53
7203612H	72036H	36"W, High Pressure Laminate Corner Shelf	47, 64
7203612E	72036E	36"W, ESD Corner Shelf	47, 64
72012H	720H	48"W, High Pressure Laminate Corner Shelf*	64, 85
72012E	720E	48"W, ESD Corner Shelf	64, 85*
*Use 48"W Corner Shelf for 72 x 48"W "L" Corner Upper Frame applications.			
74112H	741H	60"W, High Pressure Laminate Corner Shelf	80, 106
74112E	741E	60"W, ESD Corner Shelf	80, 106



720H

BENCH BASE SHELVES 

Full Base shelves can only be used with 30 or 36 inch deep benches. They will not fit on a 24 inch deep bench. 24 inch deep benches can only accommodate Partial Base shelves.

- Shelves rest and are positioned in 2 pre-set locations on the lower or upper cross bars on bench base legs
- 14-gauge cold rolled steel
- Weight capacity of Full Base or Partial Base Shelf is 400 lbs. each

Model No.	Description	Weight
72423	Full Base Shelf, 24"W x 23"D	15
73023	Full Base Shelf, 30"W x 23"D	21
73623	Full Base Shelf, 36"W x 23"D	27
721	Full Base Shelf, 48"W x 23"D	33
722	Full Base Shelf, 60"W x 23"D	39
723	Full Base Shelf, 72"W x 23"D	47
72196	Full Base Shelf, 96"W x 18"D	66
72412	Partial Base Shelf, 24"W x 12"D	10
73012	Partial Base Shelf, 30"W x 12"D	11
73612	Partial Base Shelf, 36"W x 12"D	13
738	Partial Base Shelf, 48"W x 12"D	16
739	Partial Base Shelf, 60"W x 12"D	19
740	Partial Base Shelf, 72"W x 12"D	22
74096	Partial Base Shelf, 96"W x 12"D	32

CORNER APPLICATIONS 

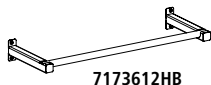
Model No.	Description	Weight
721C	Full Corner Base Shelf 48"W x 23"D	33
722C	Full Corner Base Shelf 60"W x 23"D	39
723C	Full Corner Base Shelf 72"W x 23"D	47
738C	Partial Corner Base Shelf 48"W x 12"D	16
739C	Partial Corner Base Shelf 60"W x 12"D	19
740C	Partial Corner Base Shelf 72"W x 12"D	22

*Corner base shelves are installed along one side of the corner unit. Only one shelf can be used per upper or lower crossbar.

HANGING BARS 

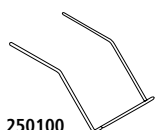
- Hanging Bar weight capacity is 100lbs
- Hanging bars adjustable on 1" increments
- Hanging bars install and can be relocated for easy adaptability
- Hanging bar tube is 1 1/2" in diameter
- Hanging bars can be used with straight organizer frames and corner and L-shaped organizer frames "outer" sections only (not compatible with corner organizer frames and L-shaped organizer frames "inner" sections)

Model No.	Description	Weight
79712HB	Hanging Bar & Support 24"W	10
79812HB	Hanging Bar & Support 30"W	11
7173612HB	Hanging Bar & Support 36"W	12
71712HB	Hanging Bar & Support 48"W	14
71812HB	Hanging Bar & Support 60"W	16
71912HB	Hanging Bar & Support 72"W	18



7173612HB

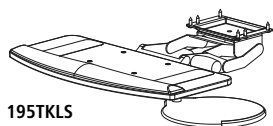
KEYBOARD OPTIONS



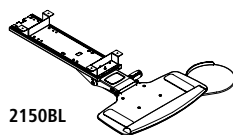
250100

Model No.	Description	Weight
195TKLS	Trackless Keyboard/Mouse Platform 19"W x 9 1/4"D, 9 1/2" Dia. Mouse Platform*	14
2150BL	Trackless Keyboard/Mouse Platform 17"W x 21 3/4"D, 9 1/2" Dia. Mouse Platform, Black	14
250100	Wire Keyboard Holder. Chrome finish.	3

* 195TKLS Available in Black or White.



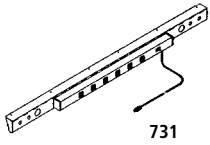
195TKLS



2150BL

SERVICE BARS

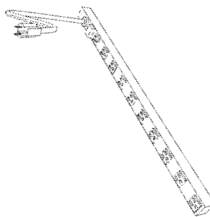
- Attached with wood screws to the underside of work surfaces or shelves
- Most include power strip
- Includes openings for cable pass through (not available on 737), air, gas and vacuum fixtures



Model No.	Description	Weight
730	Service Bar 48" 15 amp power strip, 8 outlets, 15' cord	8
731	Service Bar 60" 15 amp power strip, 12 outlets, 15' cord	12
732	Service Bar 72" 15 amp power strip, 16 outlets, 15' cord	14
737	Service Bar no power strip, 19"W	3

POWER STRIPS

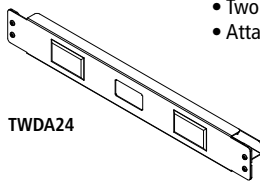
- 765, 767, 768, 769 mount horizontally outside organizer frame or under work surface. All other power strips mount to organizer frame slots
- All mounting hardware included
- Lighted power switch with snap in guard
- All power strips will not fit into the inner corner sections of organizer frames in corner or "L" shaped organizer frame



Model No.	Description	Weight
765	24"W, 15 amp Power Strip, 8 outlets, 15' cord	3
767	48"W, 15 amp Power Strip, 16 outlets, 15' cord	4
768	60"W, 15 amp Power Strip, 20 outlets, 15' cord	5
769	72"W, 15 amp Power Strip, 24 outlets, 15' cord	6
Input: NEMA 5-15P, Output: NEMA 5-15R, Requires NEMA 5-15R Wall receptacle.		
76509	24"W, 15 amp Power Strip, 6 front/6 rear outlets, 15' cord	4
76510	30"W, 15 amp Power Strip, 6 front/6 rear outlets, 15' cord	4
76511	36"W, 15 amp power strip, 6 front/6 rear outlets, 15' cord	5
Input: NEMA 5-15P, Output: NEMA 5-15R, Requires NEMA 5-15R Wall receptacle.		
76501	24"W, 20 amp Power Strip, 6 front/6 rear outlets, 15' cord	4
76502	30"W, 20 amp Power Strip, 6 front/6 rear outlets, 15' cord	4
76507	36"W, 20 amp Power Strip, 6 front/6 rear outlets, 15' cord	5
Input: NEMA 5-20P, Output: NEMA 5-20R, Requires NEMA 5-20R Wall receptacle.		
76503	24"W, 20 amp Power Strip, 6 front/6 rear outlets, 15' cord	6
76504	30"W, 20 amp Power Strip, 6 front/6 rear outlets, 15' cord	6
76508	36"W, 20 amp Power Strip, 6 front/6 rear outlets, 15' cord	6
Input: NEMA L5-20P, Output: NEMA 5-20R, Requires NEMA L5-20R Wall receptacle, twist lock.		

TELECOM CHANNEL 

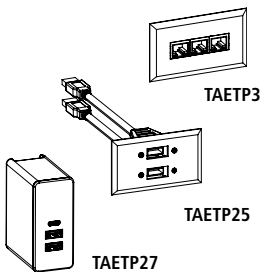
- Accepts up to 3 Data Plate Kits (see Data Telecom Plate Kits)
- Two blank Telecom Plates included to cover unused openings
- Attaches to organizer frame






Model No.	Description	Weight
TWDA24	24"W x 3"H, Telecom Channel	4
TWDA30	30"W x 3"H, Telecom Channel	4
TWDA36	36"W x 3"H, Telecom Channel	5

TELECOM PLATE 

- USB connectors are for data transfer only. TAETP27- optional USB transformer device, plugs into a standard wall outlet and converts a USB connector into a USB charging port.



Model No.	Description	Weight
TAETP3	Plate with 3 RJ45 CAT6 ports	2
 TAETP24	Plate with 2 USB 3.0 Type A/A with 36" patch cord with male end & 1 HDMI with 36" patch cord	2
TAETP25	Telecom Plate with 2 USB 3.0 Type A/A with 36" patch cord with male end	2
 TAETP26	Telecom Plate with 1 HDMI with 36" patch cord	2
 TAETP27	Transformer with 2 USB-A & 1 USB-C inputs	2

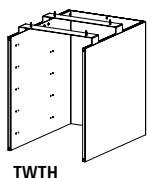
PART BIN STRIP 

- 24", 30", 36", 48", 60" and 72"W organizer frames accept multiple bin strips
- Accepts optional part bins from multiple vendors

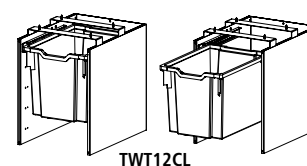
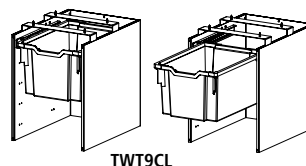
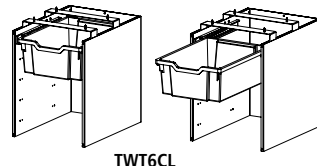
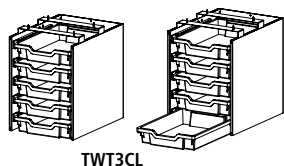
Model No.	Description	Weight
758	24" W x 3" H, Part Bin Strip	3
759	30" W x 3" H, Part Bin Strip	4
75901	36" W x 3" H, Part Bin Stripp;	5

SUSPENDED TOTE HOLDER & TOTE KITS

- Totes and glides are not included with tote holder and must be specified separatel
- Tote holder can hold up to 5-3"H totes, 2-6"H totes, 1-9"H tote or 1-12"H tote if the bench has a base shelf
- Tote holder can hold up to 5-3"H totes, 2-6"H totes, 2-9"H totes or 2-12"H totes if the bench does not have a base shelf
- Tote kits come standard with tote, glides, hardware bag, and optional use mobile stop clips
- Tote weight capacities: 3"H-10lbs per tote, 6"H, 9"H and 12"H-20lbs per tote



Model No.	Description	Weight
TWTH	Suspended Tote Holder	33
TWT3CL	3"H Clear Totes, 5 pack with 10 Glides, 12 1/4"W x 16 3/4"D x 3"H	7
TWT6CL	6"H Clear Totes, 1 pack with 2 Glides, 12 1/4"W x 16 3/4"D x 6"H	3
TWT9CL	9"H Clear Totes, 1 pack with 2 Glides, 12 1/4"W x 16 3/4"D x 9"H	3
TWT12CL	12"H Clear Totes, 1 pack with 2 Glides, 12 1/4"W x 16 3/4"D x 12"H	3



FREE STANDING STORAGE 

- Box/File Pedestal in a two drawer configuratio
- Full width drawer pull
- File drawers accommodate letter-size file
- Fixed, mobile or work surface suspended models
- Locks standard with core removable locks
- Full extension precision ball-bearing slides
- Optional faux Black Leather cushion available transform pedestal into a seat (adds 2" to height)
- Mobile pedestal in Black-S5 or Silver-HK5

Model No.	Description	Weight
PH20SM	Box/File Mobile Pedestal, 15"W x 20"D x 21¾"H	60
PH20SF	Box/File Fixed Pedestal, 15"W x 20"D x 21¾"H	60
PH20SW	Box/File Suspended Pedestal, 15"W x 20"D x 21¾"H*	55
CSH20	Black Faux Leather Cushion, Velcro® attached	6

*For mounting under TechWorks® bench surface

OVERHEAD STORAGE 

- Door swings up and over the cabinet to optimize interior space
- Door lock is standard
- Locks are keyed differently
- Non-removable core

Model No.	Description	Weight
763	24" W x 12" D x 16" H, Lockable Storage Bin	37
764	30" W x 12" D x 16" H, Lockable Storage Bin	50
76402	36" W x 12" D x 16" H, Lockable Storage Bin	62

UTILITY DRAWER 

- Locking drawer mounts under front of work surface
- All hardware included

Model No.	Description	Weight
TWDRWR	16" W x 6" H x 12½"D, Utility Drawer with Lock	5

PULL OUT WRITING SHELF 

- Pulls out from under worksurface on two glides
- Supports a maximum of 60 lbs.
- 20"W writing surface
- Can be specified to be same material as worksurfac

Model No.	Description	Weight
797H02	20" W x 12¼"D, Pull-out Writing Shelf	19

OVERHEAD LIGHTING 

- Lights include an On/Off rocker switch and a 9ft power cord
- Lights are UL and CSA approved

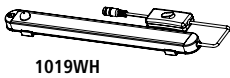
- Height-adjustable lights may interfere with the placement of components at the upper most mounting positions
- Allow 15" of clearance about frame for height-adjustable lights

Model No.	Description	Weight
72436L	36"W x LED Adjustable-Height Overhead Light	50
724L	48"W x LED Adjustable-Height Overhead Light	36
725L	60"W x LED Adjustable-Height Overhead Light	41
726L	72"W x LED Adjustable-Height Overhead Light	47
79136L	36"W x LED Fixed-Height Overhead Light	45
791L	48"W x LED Fixed-Height Overhead Light	36
792L	60"W x LED Fixed-Height Overhead Light	41
793L	72"W x LED Fixed-Height Overhead Light	47

UNDER SHELF/CABINET LIGHTING

- EZDP includes wood screws and double-sided tape for mounting
- EZDP includes capacitive touch On/Off switch and 6' power cord

- 1019WH includes wood screws, double-sided tape, or magnets for mounting
- 1019WH includes dimmer and 30-minute occupancy sensor



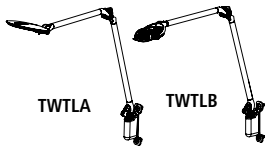
1019WH

Model No.	Description	Weight
EZDP	Light, LED 16" Under Cabinet	1
1019WH	Light, LED 17" Under Cabinet, White	1.5

TASK LIGHTING

- TWTLA- 3000K color temperature, TWTLB-3500K color temperature
- TWTLA-features a PIR occupancy sensor that automatically turns the light off when not in use, and back on when the use returns
- Lights are UL and CSA approved

- Lights feature seven adjustable illuminations levels and perfect internal counterbalance for effortless one-touch positioning for ergonomic function
- Lights available in Silver (only), mounting plate can be matched to frame



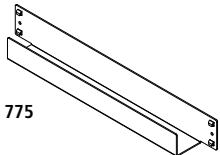
TWTLA

TWTLB

Model No.	Description	Weight
TWTLA	Techworks Advanced Task Light	3
TWTLB	Techworks Basic Task Light	3

CABLE MANAGEMENT 

Cable Trough (Mounts between organizer frame uprights)

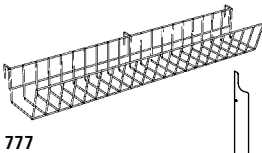


775

Model No.	Description	Weight
775	24"W, Horizontal Cable Management	2
776	30"W, Horizontal Cable Management	3
77636	36"W, Horizontal Cable Management	4

Will not fit into the inner corner sections or in "L" shaped organizer frames. Snaps in back of frame.

Cable Basket (Mounts to table base)

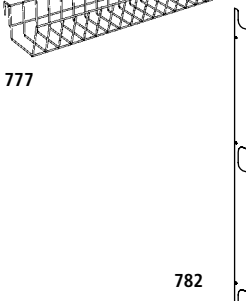


777

Model No.	Description	Weight
777	48"W, Horizontal Cable Management, Black	4
778	60"W, Horizontal Cable Management, Black	7
779	72"W, Horizontal Cable Management, Black	8

Goes on spreader on table base.

Vertical Cable Organizer (Mounts to interior of frame uprights)



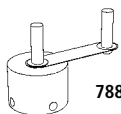
782

Model No.	Description	Weight
780	24"H, section of Vertical Cable Management	2
781	36"H, section of Vertical Cable Management	2.5
782	48"H, section of Vertical Cable Management	3

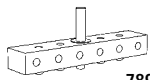
ESD ACCESSORIES

- Must be wired in compliance with local electrical codes
- Grounding Bar provides common grounding point for managing multiple ground wires

- Wrist Strap must be used with Grounding Jack for proper grounding
- Grounding Jack accommodates 4 standard banana jacks (on the end of Wrist Straps)



787

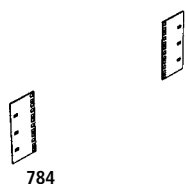


788

Model No.	Description	Weight
787	ESD Wrist Strap	2
788	ESD Grounding Jack	3
789	ESD Grounding Bar	.5

RACK MOUNT ADAPTERS 

- Provides 19" EIA standard rack mounting between uprights
- Standard with cage nuts for mounting equipment

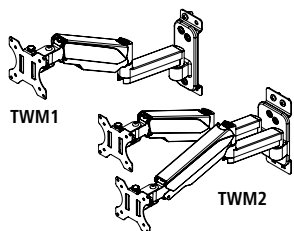



Model No.	Description	Weight
783	3½" Rack Rail Adapter Set (2U) 24" Spacing	2
784	7" Rack Rail Adapter Set (4U) 24" Spacing	3
785	3½" Rack Rail Adapter Set (2U) 30" Spacing for 60"W Frames	2
786	7" Rack Rail Adapter Set (4U) 30" Spacing for 60"W Frames	3

For mounting electrical.

FLAT PANEL MONITOR ARMS 

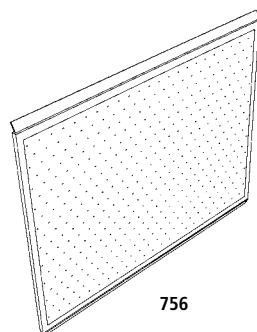
- Arms support monitors and accessories weighting up to 17.6lbs and or 32" per monitor
- Arms feature +90° -45° tilt, +90°~-90° swivel and +180°~-180° rotation to help your desired viewing position
- Gas spring perfectly counterbalances the weight of your monitor
- Built in cable management elegantly hides any cables that are attached to displays
- Slide-in 75mm and 100mm VESA mounting plate for quick attachment and detachment
- Dual screen monitor arm not compatible with 24", 30" or 36" organizer frames and must be mounted in the double wide "inner" uprights of the 48", 60", 72, or 96" organizer frames
- Monitor arms available in Black (only), mounting plate can be matched to organizer frame color



Model No.	Description	Weight	List Price
TWM1	Techworks Single Screen Monitor Arm 	6	
TWM2	Techworks Dual Screen Monitor Arm	10	

PEG BOARDS 

- Peg Boards attach between organizer frame uprights allowing most hook-on components to be mounted in front of them
- Peg board hooks not included
- Constructed of durable Masonite-brown color (only) or Magnetic Steel (add "S" suffix to end of the part number)
- Steel peg boards include gromet hole for cable management



Masonite Model No.	Steel Model No.	Description	Weight	
			Masonite	Steel
752	752S	24"W x 24"H, Peg Board	6	9
753	753S	24"W x 36"H, Peg Board	7	14
754	754S	24"W x 48"H, Peg Board	8	18
755	755S	30"W x 24"H, Peg Board	7	11
756	756S	30"W x 36"H, Peg Board	8	17
757	757S	30"W x 48"H, Peg Board	9	22
75724	75724S	36"W x 24"H, Peg Board	7	13
75730	75730S	36"W x 36"H, Peg Board	8	20
75736	75736S	36"W x 48"H, Peg Board	9	27

Corner Applications

752C	752CS	20"W x 24"H, Peg Board*	5	8
753C	753CS	20"W x 36"H, Peg Board*	6	12
754C	754CS	20"W x 48"H, Peg Board*	7	15

* For use in the inner corner frame sections of the 72" x 48" W "L", 24"W and 48"W Corner Organizer Frames.

7526C	7526CS	26"W x 24"H, Peg Board*	6	10
7536C	7536CS	26"W x 36"H, Peg Board*	7	15
7546C	7546CS	26"W x 48"H, Peg Board*	8	20

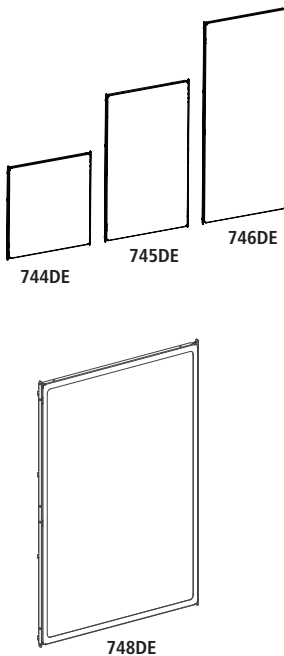
* For use in the inner corner frame sections of the 30"W and 60"W Corner Organizer Frames.

7522C	7522CS	32"W x 24"H, Peg Board*	7	12
7532C	7532CS	32"W x 36"H, Peg Board*	8	18
7542C	7542CS	32"W x 48"H, Peg Board*	9	24

* For use in the inner corner frame sections of the 36"W Corner Organizer Frames.

WHITEBOARDS 

- Versatile steel panel with dry erase powder coat surface gives you the option of writing important notes (used as a whiteboard) or attaching a document via magnets (used as a magnetic board)
- Attaches between frame uprights
- Double-sided whiteboard coating offers an enhanced appearance when the organizer frame is seen or used from either side
- Recessed design allows some hook-on components to be mounted in front of Whiteboard
- Only 1 marker tray per Whiteboard (cannot be installed inside or on inner section of organizer frame)
- Use corner applications to fit inner corner frame depending on frame size



Model No.	Description	Weight
744DE	24"W x 24"H, Whiteboard	10
745DE	24"W x 36"H, Whiteboard	15.5
746DE	24"W x 48"H, Whiteboard	20
747DE	30"W x 24"H, Whiteboard	12.5
748DE	30"W x 36"H, Whiteboard	18.5
749DE	30"W x 48"H, Whiteboard	24.5
74424DE	36"W x 24"H, Whiteboard	15
74536DE	36"W x 36"H, Whiteboard	22.5
74648DE	36"W x 48"H, Whiteboard	29.5
750	24"W, Marker Tray for Whiteboards	1
751	30"W, Marker Tray for Whiteboards	1.5
7501	36"W, Marker Tray for Whiteboards	2
744CDE	20"W x 24"H, Corner Whiteboard*	8.5
745CDE	20"W x 36"H, Corner Whiteboard*	12.5
746CDE	20"W x 48"H, Corner Whiteboard*	16.5
*For use in the inner corner frame sections of the 72" x 48"W "L", 24"W and 48"W Corner Organizer Frames.		
7446CDE	26"W x 24"H, Corner Whiteboard*	10.5
7456CDE	26"W x 36"H, Corner Whiteboard*	16.5
7466CDE	26"W x 48"H, Corner Whiteboard*	21.5
*For use in the inner corner frame sections of the 60"W and 30"W Upper Corner Organizer Frames.		
7442CDE	32"W x 24"H, Corner Whiteboard*	13.5
7452CDE	32"W x 36"H, Corner Whiteboard*	20
7462CDE	32"W x 48"H, Corner Whiteboard*	26.5

*For use in the inner corner frame section of the 36"W Upper Corner Organizer Frame.

HOW TO ORDER FABRIC SCREENS FOR TECHWORKS®

FABRIC SCREEN OPTIONS

When ordering fabric screens, use the code at right to indicate your fabric option:

7	4	4	2	F	C	S	L	P
Model number						Fabric Option		

Fabric Color Options

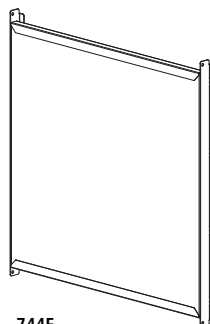
Fabric Color	Code
Palette 2155	
Birch Bark 113	BRB
Mingle	
Biscuit	MBT
FR701 2100	
Silver Papier 538	SLP
Bayberry 486	BYB

- Additional fabrics are available with nominal upcharge and extended production lead time.
- Call 888-971-6225 or email info@safcoproducts.com

Our professional design staff can help you configure the perfect TechWorks® solution. Please contact your local Safco Sales Rep Group.

TECHWORKS® FABRIC SCREEN

- Attaches between frame uprights to create a private work environment
- Creates a finished panel appearance from front
- Use corner applications to fit inner corner frame depending on frame size
- Allows some hook-on components to be mounted in front of fabric panel
- Use corner applications to fit inner corner frame depending on frame size



744F

Model No.	Description	Weight
744F	24"W x 24"H, Fabric Screen	6
745F	24"W x 36"H, Fabric Screen	7
746F	24"W x 48"H, Fabric Screen	8
747F	30"W x 24"H, Fabric Screen	6
748F	30"W x 36"H, Fabric Screen	7
749F	30"W x 48"H, Fabric Screen	8
7441F	36"W x 24"H, Fabric Screen	6
7451F	36"W x 36"H, Fabric Screen	7
7461F	36"W x 48"H, Fabric Screen	8

Corner Applications

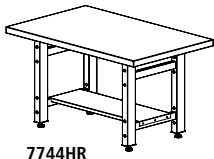
744FC	20"W x 24"H, Fabric Screen*	6
745FC	20"W x 36"H, Fabric Screen*	7
746FC	20"W x 48"H, Fabric Screen*	8

*For use in the inner corner frame sections of the 72"W x 48"W "L", 24"W and 48"W Corner Organizer Frames.

7456FC	26"W x 36"H, Fabric Screen*	7
--------	-----------------------------	---

*For use in the inner corner frame sections of the 60"W and 30"W Upper Corner Organizer Frames.

- **TechWorks® High Pressure Laminate (HPL) tables** support up to 1000lbs
 - High Pressure Laminate worksurface is 1 1/8" thick with 3mm PVC edge banding
 - Tables available with Rectangular (R) or Peninsula (P) shaped worksurfaces
 - Tables are not compatible with Techworks® Organizer frames or under worksurface accessories
 - Additional colors and worksurface materials are available-upcharges, minimums and extended lead times may apply. See Pages 10-11. Call 1-888-971-6225 for quotation.
- **TechWorks® Stainless Steel tables** support up to 1000lbs
 - Stainless Steel worksurface is 1 5/8" thick 16GA, type 304, #4 finish with wrapped and welded corner and a particle board core
 - Tables available with Rectangular (R) shaped worksurfaces only
 - Tables are not compatible with Techworks® Organizer frames or under worksurface accessories
 - Additional lead-times may apply, please refer to our lead-times document
 - Additional colors and worksurface materials are available-upcharges, minimums and extended lead times may apply. See Pages 10-11. Call 1-888-971-6225 for quotation.

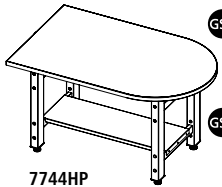


7744HR

Item	Description	Weight
GSA 48" Rectangular Table		
7744HR	48"W x 30"D Adjustable Table with High Pressure Laminate Surface	139
7745HR	48"W x 36"D Adjustable Table with High Pressure Laminate Surface	150
Stainless Steel Surface		
7744SS	48"W x 30"D Adjustable Table with Stainless Steel Surface	168
7745SS	48"W x 36"D Adjustable Table with Stainless Steel Surface	191

GSA 60" Rectangular Table		
7746HR	60"W x 30"D Adjustable Table with High Pressure Laminate Surface	155
7747HR	60"W x 36"D Adjustable Table with High Pressure Laminate Surface	170
Stainless Steel Surface		
7746SS	60"W x 30"D Adjustable Table with Stainless Steel Surface	193
7747SS	60"W x 36"D Adjustable Table with Stainless Steel Surface	215

GSA 72" Rectangular Table		
7748HR	72"W x 30"D Adjustable Table with High Pressure Laminate Surface	175
7749HR	72"W x 36"D Adjustable Table with High Pressure Laminate Surface	185
Stainless Steel Surface		
7748SS	72"W x 30"D Adjustable Table with Stainless Steel Surface	221
7749SS	72"W x 36"D Adjustable Table with Stainless Steel Surface	245



7744HP

GSA 48" Peninsula Table		
7744HP	48"W x 30"D Adjustable Table with High Pressure Laminate Surface	139
7745HP	48"W x 36"D Adjustable Table with High Pressure Laminate Surface	150

GSA 60" Peninsula Table		
7746HP	60"W x 30"D Adjustable Table with High Pressure Laminate Surface	155
7747HP	60"W x 36"D Adjustable Table with High Pressure Laminate Surface	170

GSA 72" Peninsula Table		
7748HP	72"W x 30"D Adjustable Table with High Pressure Laminate Surface	175
7749HP	72"W x 36"D Adjustable Table with High Pressure Laminate Surface	185

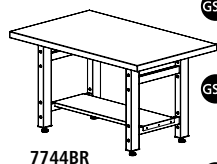
CASTER KIT **GSA**

- Adding casters to a bench will add 3" to the overall bench height
- Each caster kit includes 2 locking casters which, lock the wheel. The remaining casters will not have a locking mechanism

Model No.	Description	Weight
350221	Caster Kit (4)	7

- TechWorks® Butcher Block tables support up to 1000lbs
- Butcher Block worksurface is 1 3/4" thick with 1/8" radius edge
- Tables available with Rectangular (R) or Peninsula (P) shaped worksurfaces
- Tables are not compatible with Techworks® Organizer frames or under worksurface accessories

- Additional colors and worksurface materials are available-upcharges, minimums and extended lead times may apply. See Pages 10-11. Call 1-888-971-6225 for quotation.



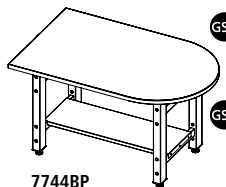
7744BR

GSA

GSA

GSA

Item	Description	Weight
48" Rectangular Table		
7744BR	48"W x 30"D Adjustable Table with Butcher Block Surface	162
7745BR	48"W x 36"D Adjustable Table with Butcher Block Surface	183
60" Rectangular Table		
7746BR	60"W x 30"D Adjustable Table with Butcher Block Surface	187
7747BR	60"W x 36"D Adjustable Table with Butcher Block Surface	207
72" Rectangular Table		
7748BR	72"W x 30"D Adjustable Table with Butcher Block Surface	215
7749BR	72"W x 36"D Adjustable Table with Butcher Block Surface	236
48" Peninsula Table		
7744BP	48"W x 30"D Adjustable Table with Butcher Block Surface	162
7745BP	48"W x 36"D Adjustable Table with Butcher Block Surface	183
60" Peninsula Table		
7746BP	60"W x 30"D Adjustable Table with Butcher Block Surface	187
7747BP	60"W x 36"D Adjustable Table with Butcher Block Surface	207
72" Peninsula Table		
7748BP	72"W x 30"D Adjustable Table with Butcher Block Surface	215
7749BP	72"W x 36"D Adjustable Table with Butcher Block Surface	236



7744BP

GSA

GSA

GSA

CASTER KIT GSA

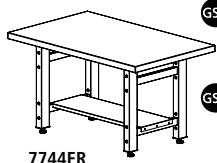
- Adding casters to a bench will add 3" to the overall bench height
- Each caster kit includes 2 locking casters which, lock the wheel. The remaining casters will not have a locking mechanism

Model No.	Description	Weight
350221	Caster Kit (4)	7

TechWorks® Electro-Static Discharge (ESD) Tables

- TechWorks® tables with ESD laminate worksurface support up to 1000lbs
- ESD laminate worksurface is 1 1/8" thick with 3mm PVC edge banding
- Tables come standard with grounding terminus, other ESD accessories must be specified separatel
- Tables available with Rectangular (R) or Peninsula (P) shaped worksurfaces

- Tables are not compatible with Techworks® Organizer frames or under worksurface accessories
- Additional colors and worksurface materials are available-upcharges, minimums and extended lead times may apply. See Pages 10-11. Call 1-888-971-6225 for quotation.



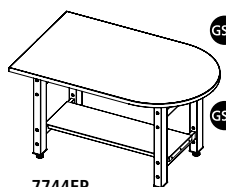
7744ER

GSA

GSA

GSA

Item	Description	Weight
48" Rectangular Table		
7744ER	48"W x 30"D Adjustable Table with ESD Laminate Surface	139
7745ER	48"W x 36"D Adjustable Table with ESD Laminate Surface	150
60" Rectangular Table		
7746ER	60"W x 30"D Adjustable Table with ESD Laminate Surface	155
7747ER	60"W x 36"D Adjustable Table with ESD Laminate Surface	170
72" Rectangular Table		
7748ER	72"W x 30"D Adjustable Table with ESD Laminate Surface	175
7749ER	72"W x 36"D Adjustable Table with ESD Laminate Surface	185
48" Peninsula Table		
7744EP	48"W x 30"D Adjustable Table with ESD Laminate Surface	139
7745EP	48"W x 36"D Adjustable Table with ESD Laminate Surface	150
60" Peninsula Table		
7746EP	60"W x 30"D Adjustable Table with ESD Laminate Surface	155
7747EP	60"W x 36"D Adjustable Table with ESD Laminate Surface	170
72" Peninsula Table		
7748EP	72"W x 30"D Adjustable Table with ESD Laminate Surface	175
7749EP	72"W x 36"D Adjustable Table with ESD Laminate Surface	185



7744EP

GSA

GSA

GSA

CASTER KIT GSA

- Adding casters to a bench will add 3" to the overall bench height
- Each caster kit includes 2 locking casters which, lock the wheel. The remaining casters will not have a locking mechanism

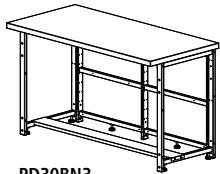
Model No.	Description	Weight
350221	Caster Kit (4)	7

TECHWORKS® STORAGE CENTER GSA

- Ships ready-to-assemble on 4-position oversized pallet
- Storage Center consists of: Top work surface, Center Frame, Side Frames and Spreader
- Available in: 24"D, 30"D and 36"D x 63"W x 35¾"H
- 36" work surface is not interchangeable with 24"D or 30"D base
- Work surfaces Available In: 1½" HPL (High Pressure Laminate), 1½" ESD (Electro-Static Discharge), 1¾" Butcher Block
- Storage Centers can be joined together with optional ganging hardware to create a unique work environment

Our professional design staff can help you with TechWorks® space planning and custom applications. Please contact your local Safco Sales Rep Group.

Storage Center - 3mm Edge Band (on all work surface sides) for HPL and ESD options, 1/8 radius edge (on all work surface sides) for Butcher Block option



PD30BN3

Model No.	Dimension	HPL	ESD	Butcher
		(HN3 Suffix)	(EN3 Suffix)	(BN3 Suffix)
PD24	63"W x 24"D x 36"H			
PD30	63"W x 30"D x 36"H			
PD36	63"W x 36"D x 36"H			

PANEL KITS - Only can be used on TechWorks® Storage Centers GSA

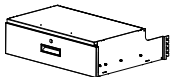
- Options for Modesty or Exterior Sides
- Water Resistant Resin
- Available Finishes: Millwork Cherry, Florence Walnut, White, Black Onyx

Model No.	Description	Weight
A9273	(2 each) 35"W x 34⅞"H x ½"D, Exterior Side Panels. For use with 36"D work surface	18
A9288	(2 each) 25½"W x 34⅞"H x ½"D, Exterior Side Panels. For use with 30"D work surface	30
A9289	(2 each) 24"W x 34⅞"H x ½"D, Exterior Side Panels. For use with 24"D work surface	30
A9286	(2 each) 27"W x 29½"H x ¼"D, Modesty Panels, universal	15

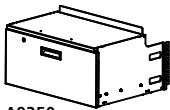
MODULAR COMPONENTS GSA

- Components are not compatible with Techworks® Organizer Frames, Benches, or Tables.
- Can be added to the underside of either the left and/or right front side of the worktable, no more than 2 across
- Purchase optional tumblers to add locking capability to modular drawers

Model No.	Description	Weight
A9353	6" Box Drawer with Optional Locks available, 28"W x 8"H x 22½"D Overall	50
A9350	12" Hanging File Drawer with Optional Lock available, 28½"W x 13½"H x 22½"D overall	69
A9352	28½"W x 4¾"H x 22½"D, Stationary Shelf with Sides	37
A9351	13"W x 5"H x 10"D, Undersurface Mount Cubby	7



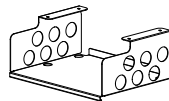
A9353



A9350



A9352



A9351

LOCKS

- Please read carefully to facilitate proper order or call Customer Care at 888-971-6225 for assistance.
- Storage Center Drawers are shipped with removeable knockouts to add locking capability.
- Locks can be added to drawers by ordering item numbers Q70800-Q70899.
- To key alike suites of product, order the appropriate quantity of like numbered lock assemblies for each worktable.
- Locks available in Silver only.
- Locks can be used with Storage Center Accessories Only.

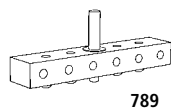
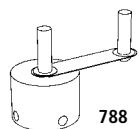


Q70800

Model No.	Description	Weight
Q70800 through Q70899*	Lock Assembly	1
Q629A	Lock Assembly Master Key Core Removal Tool	1

*Available in Silver Only.

ESD ACCESSORIES 



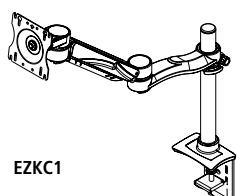
- Must be wired in compliance with local electrical codes
- Grounding Bar provides common grounding point for managing multiple ground wires

- Wrist Strap must be used with Grounding Jack for proper grounding
- Grounding Jack accommodates 4 standard banana jacks (on the end of Wrist Straps)

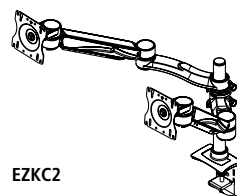
Model No.	Description	Weight
787	ESD Wrist Strap	2
788	ESD Grounding Jack	3
789	ESD Grounding Bar	.5

MONITOR ARMS 

- Grommet or Tool-less Clamp installation that fits to any work surface up to 3½" thick
- Counterbalanced spring technology with easy-to-use Allen wrench adjustment
- Slim profiles when in the folded position – ideal for limited work space applications
- Arms swivel 360° around base allowing for increased display positions
- VESA 75mm and 100mm compliant
- TAA compliant
- Cable management system keeps cables hidden
- Available in Silver only



EZKC1



EZKC2

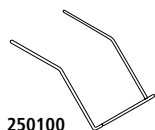
POLE-MOUNTED

- 24" of reach and 18" of usable height adjustment (including pole)
- 4-20 lb. maximum load per each monitor arm
- Quick connect monitor screen feature

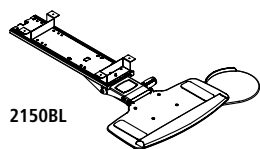
Model No.	Description	Weight
EZKC1	Pole Mount, Single Arm Monitor Mount	8.2
EZKC2	Pole Mount, Dual Arm Monitor Mount	12.2

Note: Grommet Mount/field installed by installation team.

KEYBOARD OPTIONS



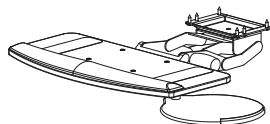
250100



2150BL

Model No.	Description	Weight
2150BL	Trackless Keyboard/Mouse Platform 17"W x 21¼"D, 9½" Dia. Mouse Platform, Black	14
195TKLS *	Trackless Keyboard/Mouse Platform 19"W x 9¼"D, 9½" Dia. Mouse Platform	14
250100	Wire Keyboard Holder. Chrome Finish.	3

*195TKLS Available in Black or White.



195TKLS

PART BIN/POWER STRIP PLATE 

- Multi-functional hook-on plate
- Accepts optional part bins from multiple vendors or mount the 765 power strip for flexible power placement
- Hook-on modular components cannot be placed in front of Bin Strips

POWER STRIPS

Model No.	Description	Weight
765	24"W x 1¼"D 15 amp Power Strip, 8 Outlet, 15' Cord	3

Note: Mount under work surface.

FLOOR ATTACHMENT BRACKET 

- Used to anchor table to the floor
- Hardware not included

Model No.	Description	Weight
A9290	(4) Floor Attachment Brackets, Black	1