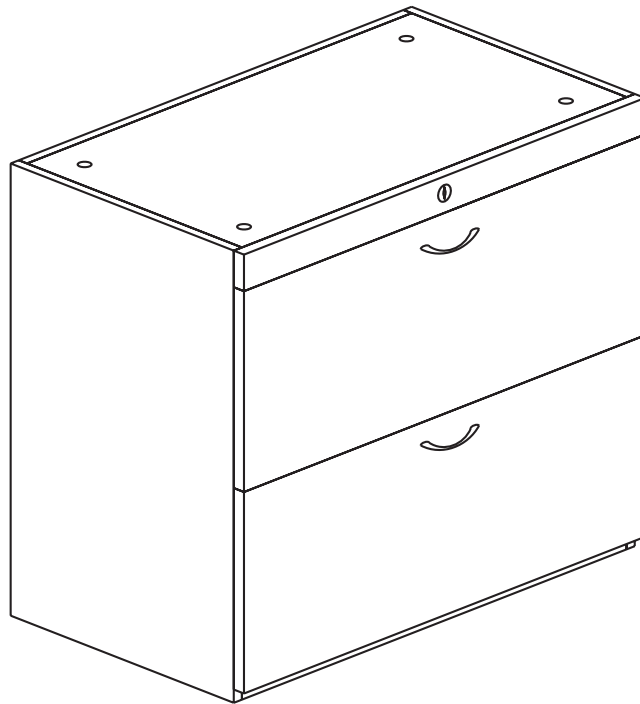




Tiffany Industries™  
A MAYLINE GROUP COMPANY

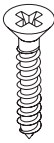

# Corsica 36" Under Desk Lateral Filing Cabinet

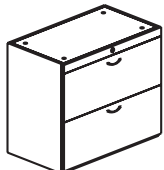
## Model No. CLF



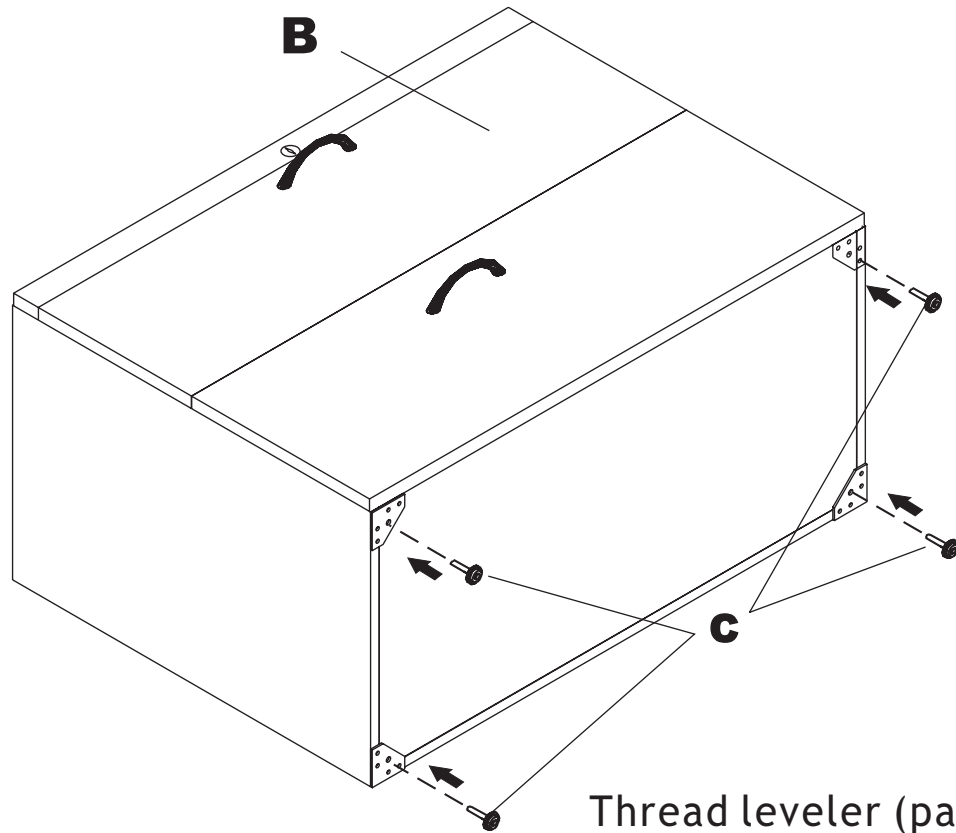
**ASSEMBLY INSTRUCTIONS**  
**CALL 1-800-822-8037 FOR ASSISTANCE**

# PARTS LIST

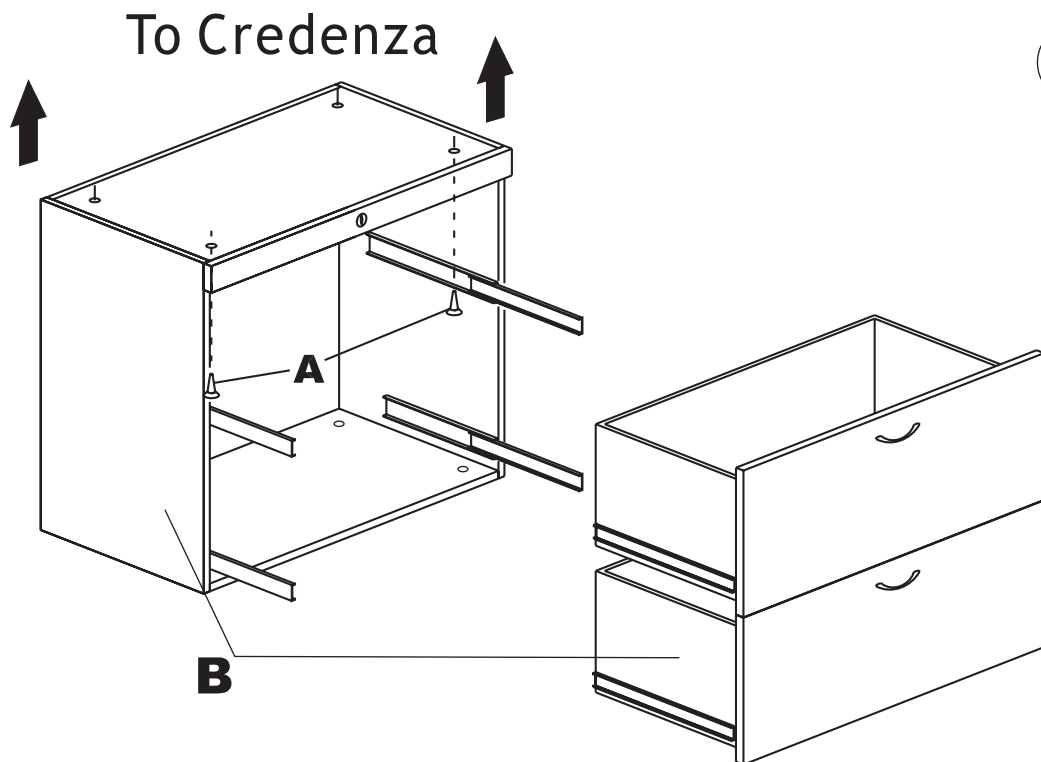
Name	Part	Qty.	Spare Qty
<b>A*</b>	 REALS044 4mm x 30mm	<b>4</b>	<b>1</b>
<b>C*</b>	 REALS067 Leveler	<b>4</b>	

Name	Part	Qty.
<b>B</b>		<b>1</b>

\*For Individual Items, Order By Part Number.





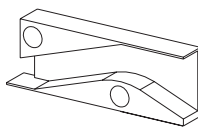
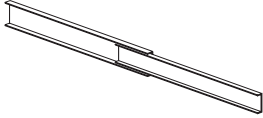
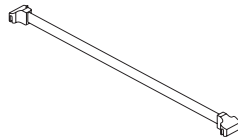
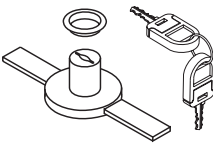
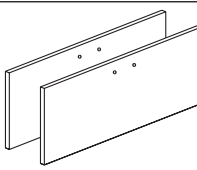
Thread leveler (part C)  
into bracket.



Note: Drawer needs to be removed to attach mounting screws. To remove drawers pull out until fully extended, locate the black locking tab on the side of each drawer slide, pull left tab up and push right tab down, pull drawer off slides.

**2**

# Pre-Assembled Replacement Part List

Replacement #	Part	Qty.
<b>REALS011*</b>	 Handle - Black	<b>1</b>
<b>REALS045*</b>	 Handle Screw 4mm x 23mm	<b>2</b>
<b>REALS053*</b>	 Lock Guide	<b>1</b>
<b>REALS056*</b>	 Drawer Slide	<b>Pair</b>
<b>REALS060*</b>	 Legal Hanger Bar	<b>1</b>
<b>REAL0001*</b>	 Lock W/ Keys	<b>1</b>
<b>CLFDF*</b>	 Drawer Fronts-Set	<b>1</b>

\*For Individual Items, Order By Part Number.