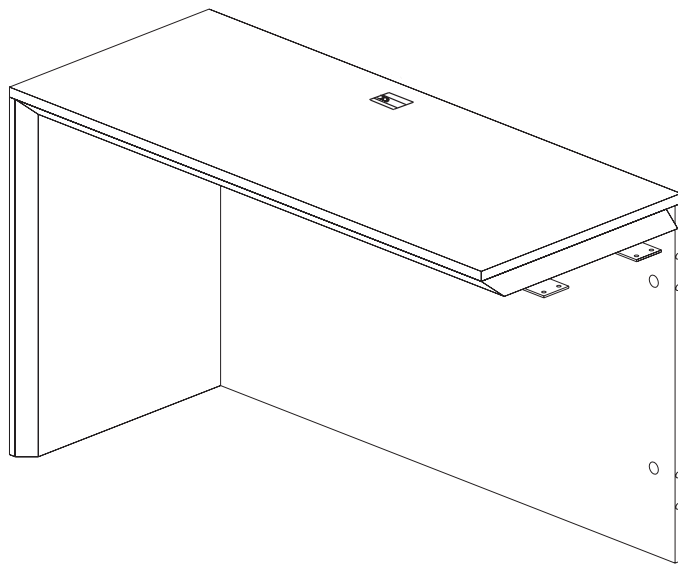







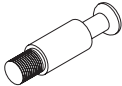
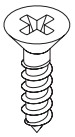
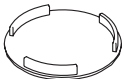
Tiffany Industries™
A MAYLINE GROUP COMPANY

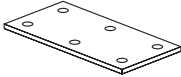
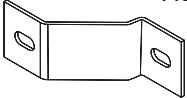

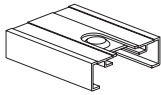
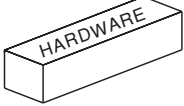
Corsica 48" Return Model No. CRTNL



ASSEMBLY INSTRUCTIONS
CALL 1-800-822-8037 FOR ASSISTANCE

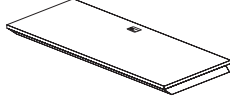
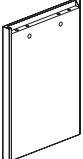
PARTS LIST

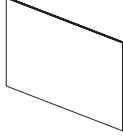
Name	Part	Qty.
A*	 HB REALS001 Cam Fastener	7
B*	 HB REALS002 Cam Cap	5
C*	 HB REALS004 Wood Dowel	4
D*	 HB REALS003 Cam Post	7
E*	 HB REALS005 4mm x 16mm	12
F*	 HB REALS006 Cap	2

Name	Part	Qty.
G	 HB REALS007 Mounting Plate	2
K*	 HB REALS098 Mounting Bracket	2
L	 HB REALS129 4mm x 16mm	4
M*	 HB REALS020 Grommet	1
	 CRCHB	


Items with HB are in the hardware box.
 *For Individual Items, Order By Part Number.
 ** Denotes Color Code

PARTS LIST

Name	Part	Qty.
H*	 CRTNL** Top	1
I*	 CRTNLI** Base Panel	1

Name	Part	Qty.
J*	 CRTNJ** Modesty Panel	1

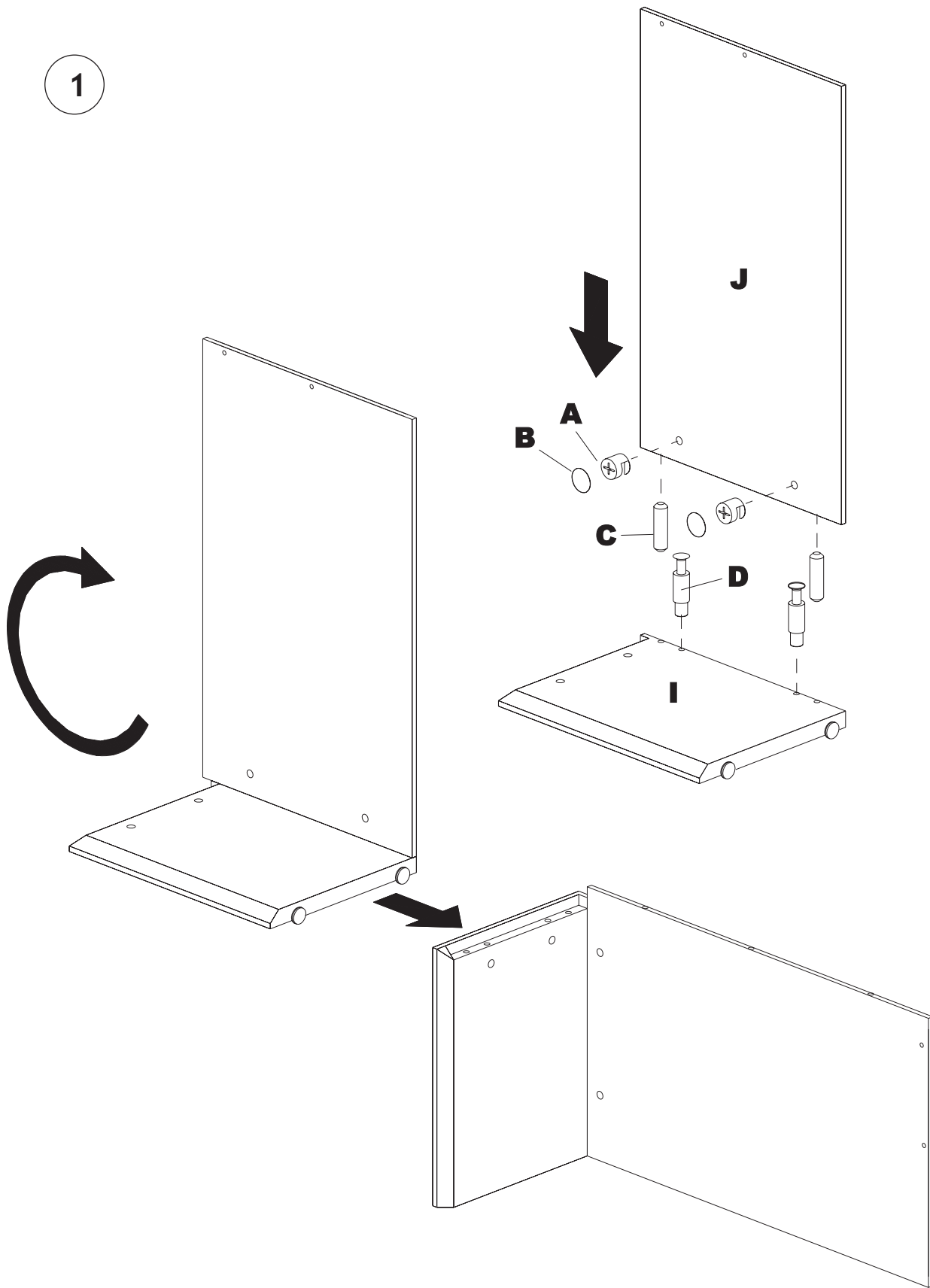
Pre-Assembled Replacement Part List

Replacement #	Part	Qty.
REALS067*	 Leveler w/ Insert	2

*For Individual Items, Order By Part Number.

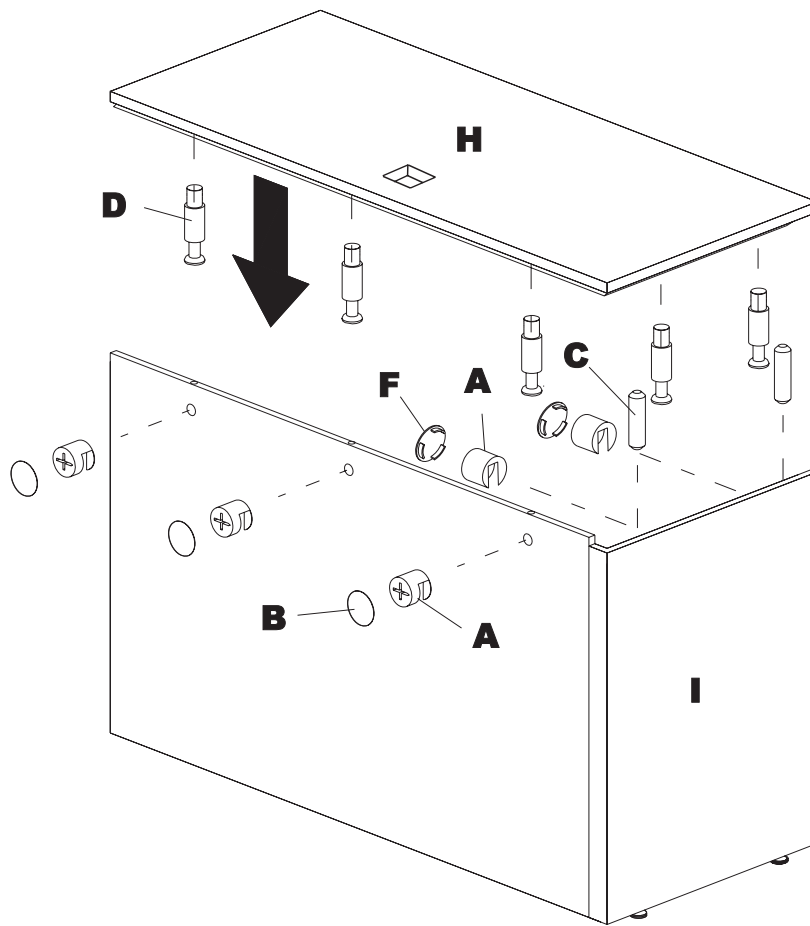
** Denotes Color Code

1



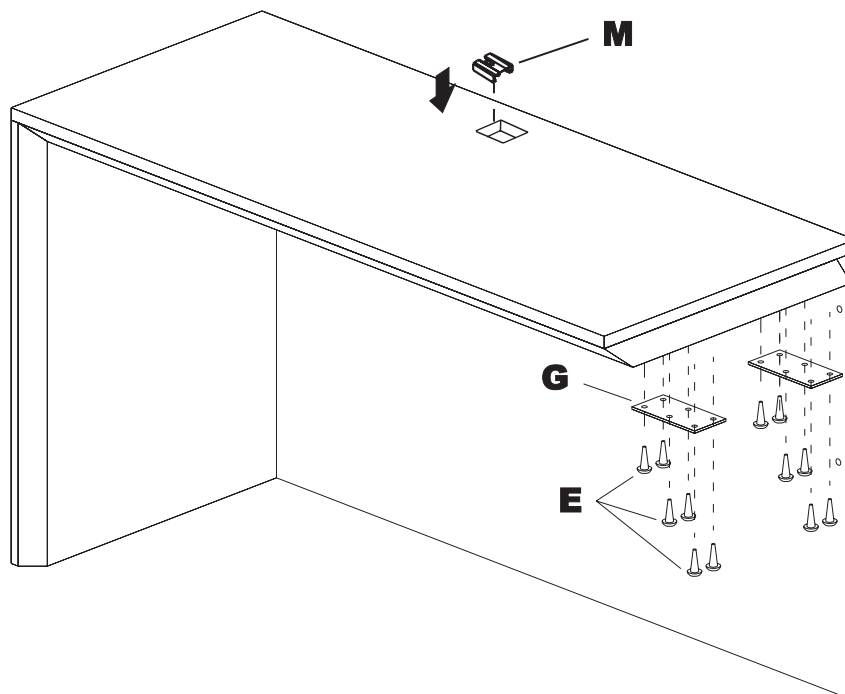
Note: For Step 1, dowels (C) are to be inserted into modesty panel (J) and NOT in end panel (I).

2

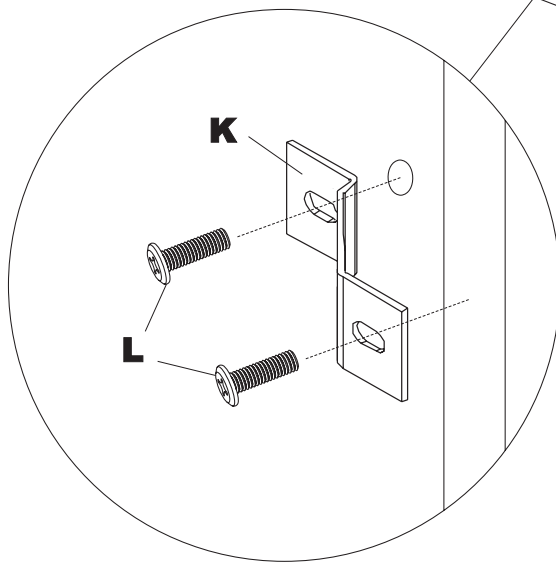
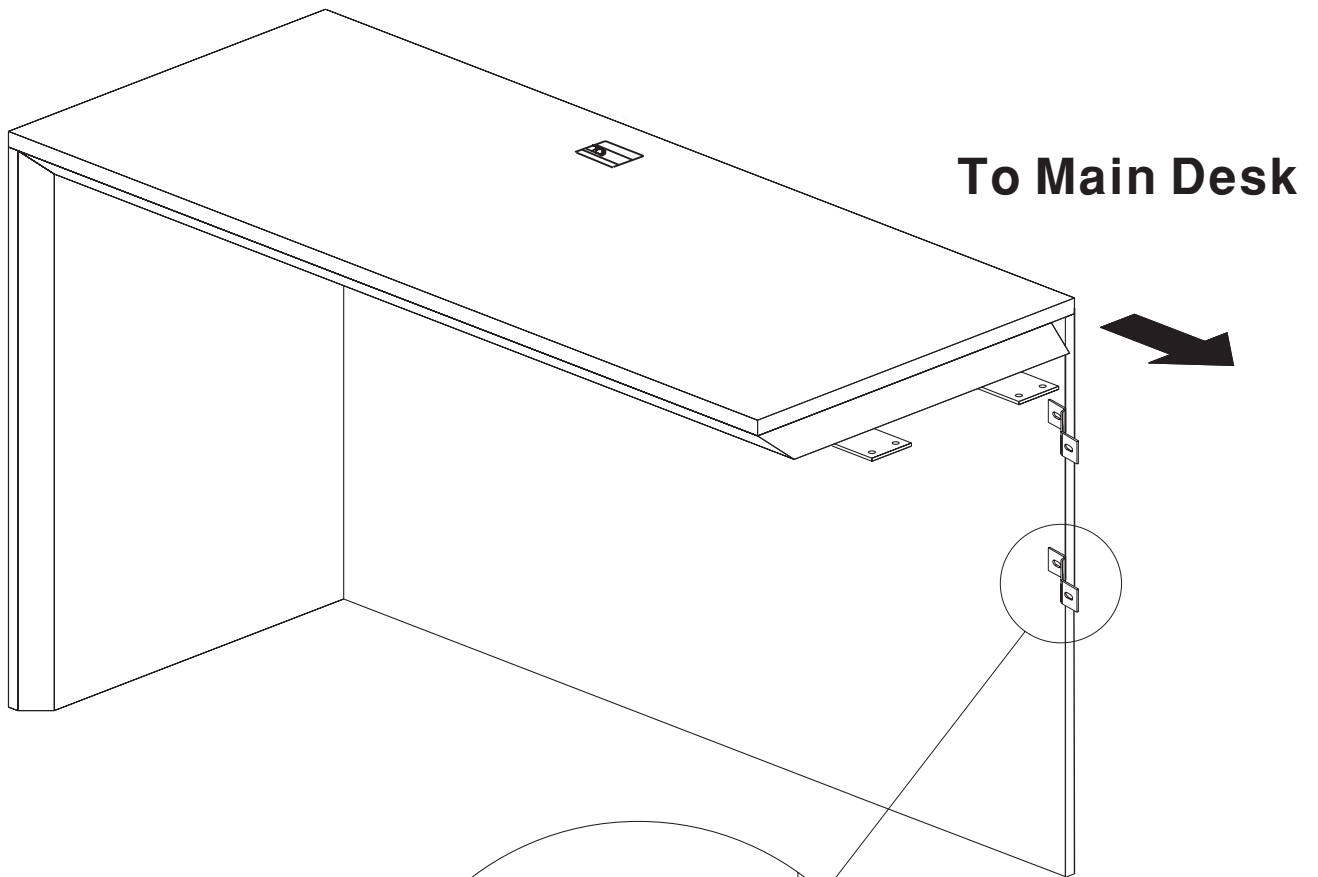


Note: For Step 2, dowels (C) are to be inserted into end panel (I) and NOT top (H).

3



4



5