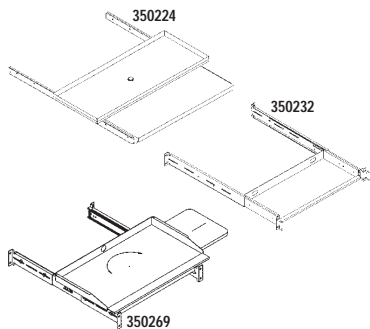


CABINET ACCESSORIES

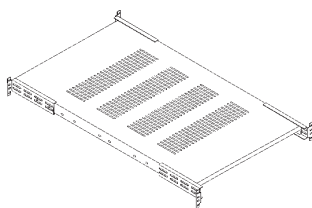
KEYBOARD OPTIONS



- >> Convenient trays designed to accommodate keyboards to 17¼".
- >> 350224 has mouse platform in front of tray.
- >> Stores neatly in cabinet when not in use.
- >> Maximum weight capacity of 40 lbs.
- >> Mounting hardware, brackets and slides included.
- >> 350269 has inside tray dimension of 10.75"D x 20.5"W.

MODEL NUMBER	DESCRIPTION
350224	19" Rack Mount Pivoting Keyboard Platform
350232	23" Rack Mount Keyboard Platform
350269	Deluxe 19" Rack Mount Pivoting Keyboard w/sliding mouse tray

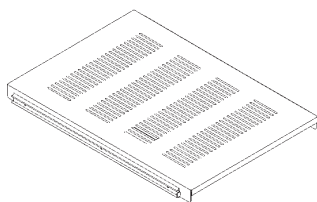
STATIONARY SHELF



- >> Vented to provide maximum airflow inside the cabinet.
- >> 16-gauge Steel shelves available in two depths.
- >> Maximum weight capacity is 250 lbs.
- >> Mounting hardware included.

MODEL NUMBER	DESCRIPTION
4211730	Stationary Shelf, 17"W x 30"D (24x36 cabinets)
4212130	Stationary Shelf, 21"W x 30"D (29x36 cabinets)
4211736	Stationary Shelf, 17"W x 36"D (24x42 cabinets)
4212136	Stationary Shelf, 21"W x 36"D (29x42 cabinets)

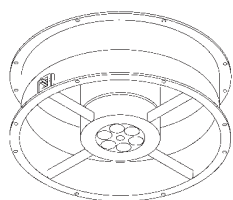
SLIDING SHELF



- >> Vented to provide maximum airflow inside the cabinet.
- >> 16-gauge steel shelves available in two depths.
- >> Shelves provide easy roll-out access to your equipment.
- >> Mounting hardware and one pair of single extension slides included.
- >> Maximum weight capacity is 200 lbs.

MODEL NUMBER	DESCRIPTION
4221530	Sliding Shelf, 15"W x 30"D (24x36 cabinets)
4221930	Sliding Shelf, 19"W x 30"D (29x36 cabinets)
4221536	Sliding Shelf, 15"W x 36"D (24x42 cabinets)
4221936	Sliding Shelf, 19"W x 36"D (29x42 cabinets)

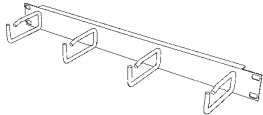
FAN OPTION



- >> Fan kit draws air into the cabinet and forces warm air out through the vents.
- >> Numerous options available to aid in the cooling of your equipment.
- >> Fan kits can be added to all cabinets.
- >> Mounting hardware included.

MODEL NUMBER	DESCRIPTION
350222	550 cfm fan, top mounted
350238	Pair of 230 cfm fans with mounting panel, top mounted
350239	105 cfm fan with mounting box for rear doors
350241	Rack Mount Fan Panel with two 105 cfm fans

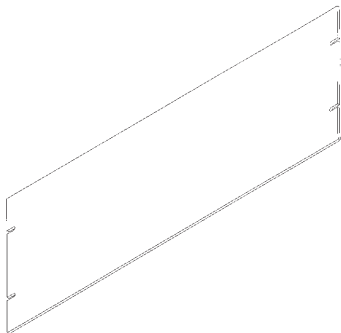
CABLE MANAGEMENT



- >> Rack mount panel neatly routes and manages cabling.
- >> 16-gauge steel.

MODEL NUMBER	DESCRIPTION
409	19" rack mount organizer with 5-1.47"H x 2.50"D rings
413	19" rack mount organizer with 18-small cable hangers and 2-horizontal rings

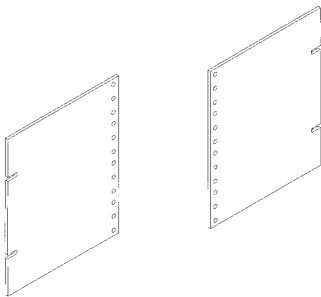
FILLER PANEL



- >> Provides a clean look to an installation by covering open or unused rack space.
- >> Use with all 19" EIA spacing.
- >> Constructed of 12-gauge steel.
- >> Available in Black Finish.

MODEL NUMBER	DESCRIPTION
342050	1U Steel Filler Panel 19"W
342052	2U Steel Filler Panel 19"W
342054	3U Steel Filler Panel 19"W
342056	4U Steel Filler Panel 19"W
342058	5U Steel Filler Panel 19"W

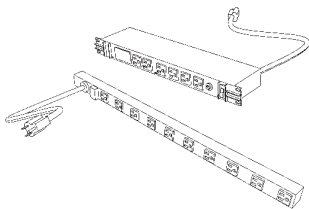
RACK MOUNT ADAPTER



- >> Hole spacing dimensions are EIA standard.
- >> Sold in pairs.
- >> Constructed of 12-gauge steel.
- >> Available in Black Finish.

MODEL NUMBER	DESCRIPTION
350243	1U Rack Bracket Adapter 23" spacing to 19" spacing
350244	2U Rack Bracket Adapter 23" spacing to 19" spacing
350245	3U Rack Bracket Adapter 23" spacing to 19" spacing
350246	4U Rack Bracket Adapter 23" spacing to 19" spacing
350247	5U Rack Bracket Adapter 23" spacing to 19" spacing

POWER OPTION



- >> Variety of power options to facilitate needs in data center applications.
- >> Both rack mount and vertical mount designs available.

MODEL NUMBER	DESCRIPTION
407	19" Rack Mount Power Strip, 15 amp, rear outlet, protected switch
408	19" Rack Mount Power Strip, 15 amp with surge protector
350174	48"L, 10 outlet power strip, 15 amp with surge protector
350172	48"L, 10 outlet power strip, 15 amp
350181	72"L, 11 outlet power strip, 15 amp 6' cord
350188	72"L, 12 outlet power strip, 20 amp with twistlock, 10' cord
350189	72"L, 12 outlet power strip, 15 amp 10' cord

ADDITIONAL OPTIONS

MODEL NUMBER	DESCRIPTION
113	Set of 4 casters, 1000 lb. capacity
350248	Anti-Tip Feet (Pair) with Attaching Hardware
350249	Standard Ganging Kit
350250	Isolated Ganging Kit
350251	Copper Bussbar 19" rack mounted (isolated)