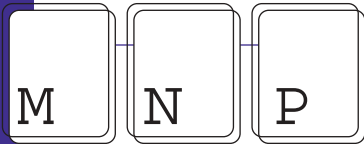


WALL MOUNT CABINET



When there is LIMITED SPACE for a freestanding enclosure, Mayline's Wall Mount Cabinets are an ideal solution for SECURING NETWORKING AND TELECOMMUNICATIONS EQUIPMENT. Cable access is easy with 3 cable ports in both the top and bottom of the rear panel. Conduit knock-outs are also provided. 19" rack mount rails are FULLY ADJUSTABLE front-to-back utilizing the convenient cage nut mounting system. All Wall Mount Cabinets ship FULLY ASSEMBLED.

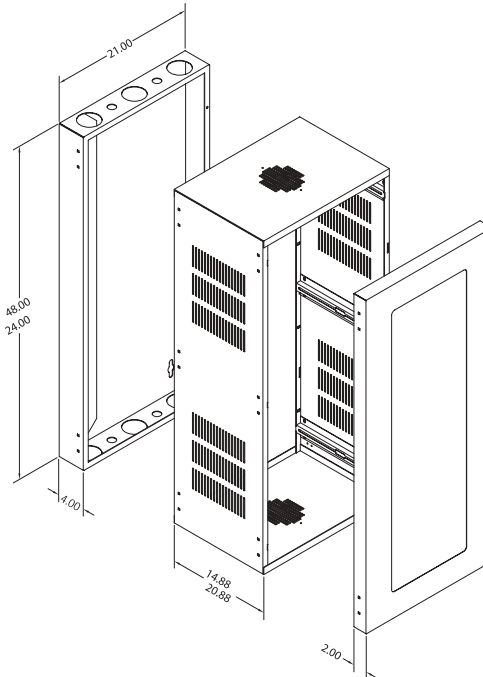
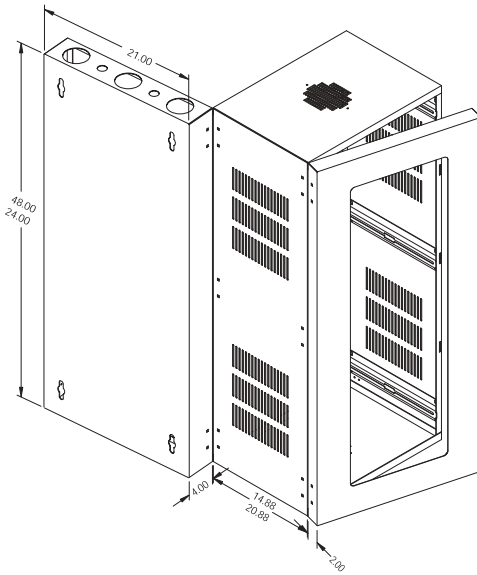


401

- >> Uses less space than conventional floor racks and cabinets.
- >> Top and bottom knockouts provide easy cable access.
- >> Double-hinge design provides front and rear access to equipment.
- >> Provides 12U (24"H) or 26U (48"H) of secure rack mounting space.

Standard or custom, Mayline can design and configure a system to meet your exact requirements, quickly and cost effectively. Call us today for the name and number of the local sales representative in your area.

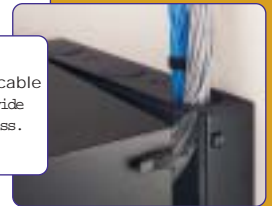
FEATURES AND BENEFITS



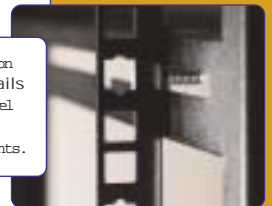
Interior components provide support for any application.



Top and bottom cable knockouts provide easy cable access.



"U" Reference on Rack Mount Rails assist in the level installation of interior components.



FRAME: 14-gauge welded steel construction consists of top, bottom, and 2 sides. Top and bottom have venting pattern to allow for 230-CFM fan. Sides are vented. Textured paint. 24"W frame-100 lb. load capacity and 48"W-150 lb. capacity.

MOUNTING RAILS: 11-gauge painted steel with EIA spacing. Contain U referencing. Includes bag of 12-24 cage nuts.

FRONT DOOR: 16-gauge steel with Plexiglas window.

REAR PANEL: 14-gauge welded steel construction uses 16" on center spacing for 4 keyway holes to accommodate numerous mounting applications, includes six 3" cable access holes and four conduit.

HARDWARE: Heavy duty hinges, cam locks keyed the same, one key unlocks entire cabinet, draw latches secure cabinet body to wall-mounted rear panel.

WALL MOUNT CABINETS

MODEL NUMBER	DESCRIPTION
401	Wall Mount Cabinet 24"H x 21"D x 21"W
402	Wall Mount Cabinet 24"H x 27"D x 21"W
403	Wall Mount Cabinet 48"H x 21"D x 21"W
404	Wall Mount Cabinet 48"H x 27"D x 21"W
410	Fan for Wall Mount Enclosure, 230cfm (cord included)
405	Fixed shelf for 21"D Wall Mount Enclosure 17 1/2"W x 12"D