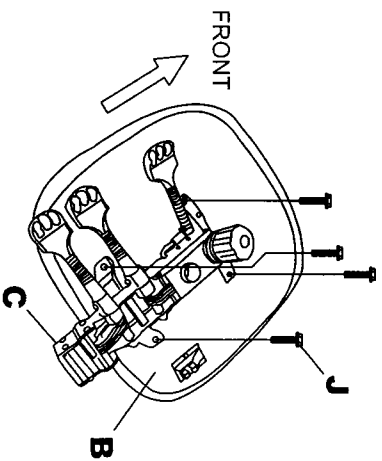
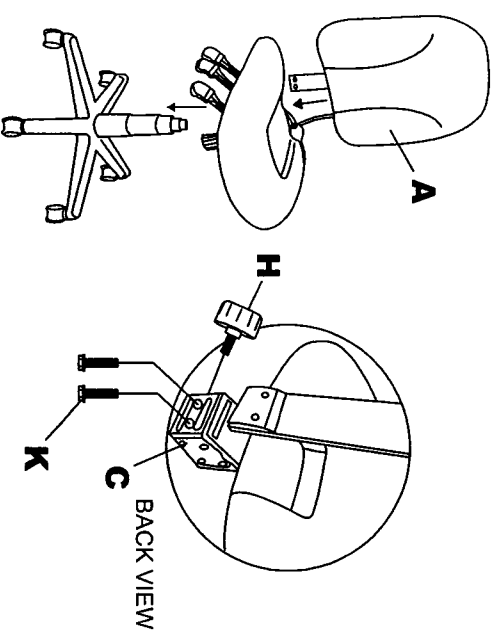


1. Place Base (E) upside down and push Casters (D) firmly into base. 5 places.
2. Turn Base right side up and insert Cylinder (F) into center hole of Base.
3. Place Cylinder Cover (G) over Cylinder.



4. Assemble Mechanism (C) to Seat (B) using Screws (J) 4 places.

2



5. Carefully place seat assembly onto base assembly.
6. Assemble Back (A) to Mechanism (C) using Screws (K) 2 places & Knob (H).

NOTE:
Periodically (Every 90 days) make sure all screws are fully tightened.

3

OPERATING INSTRUCTIONS FOR MULTI-FUNCTION MECHANISM & CHAIR FEATURES

1. Back Posture Adjustment

To adjust angle of the back, pull paddle up.
Adjust back, push knob down to lock.

2. Seat Posture Adjustment

To adjust angle of the seat, pull paddle up.
Adjust seat, push knob down to lock.

3. Seat Height Adjustment.

To raise the seat, pull lever upward and raise
your body up slightly to allow the chair to rise to
the desired height.

To lower the seat, pull lever upward and apply
weight downward on the seat.

4. Tilt Tension Control Knob.

Turn knob clockwise to increase tilt tension.
Turn knob counter-clockwise to decrease tilt tension.

5. Ratcheting Back Height Adjustment.

To raise the back, lift up to the desired height.

To lower the back, lift up to the upmost position and
lower to starting position. Lift up to the desired height.

