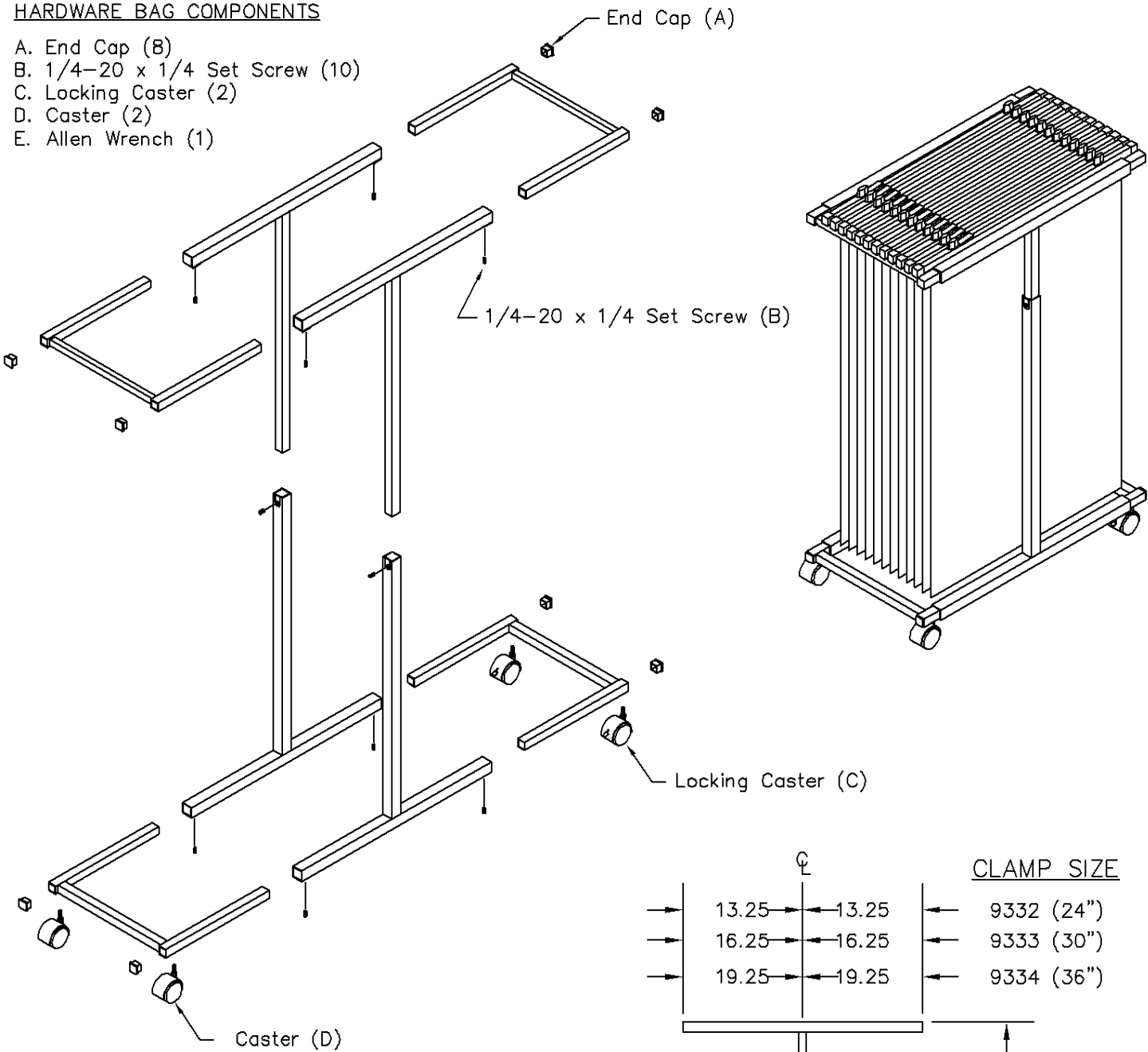


ASSEMBLY INSTRUCTIONS for EXPANDABLE MOBILE PLAN CENTER

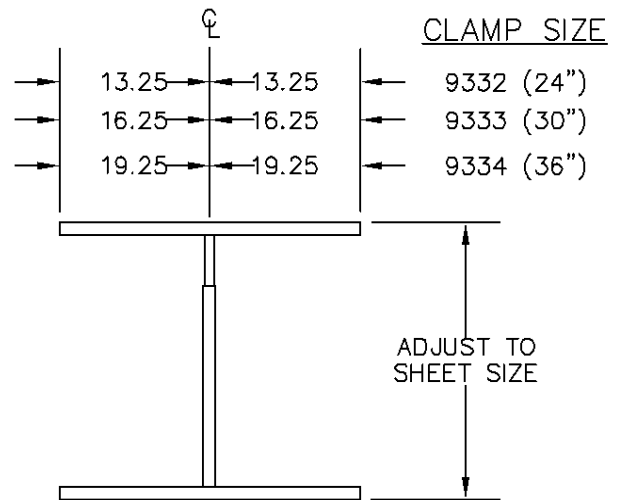
PRODUCT NO: 9429

HARDWARE BAG COMPONENTS

- A. End Cap (8)
- B. 1/4-20 x 1/4 Set Screw (10)
- C. Locking Caster (2)
- D. Caster (2)
- E. Allen Wrench (1)



NOTE: ASSEMBLE END CAPS AND CASTERS PRIOR TO INSERTING TUBES.



MAYLINE® Mayline Company, LLC
 619 N. Commerce, P.O. Box 728
 Sheboygan, WI 53082-0728
 Phone: 920-457-5537
 Toll Free: 1-800-822-8037
 FAX: 920-457-7388