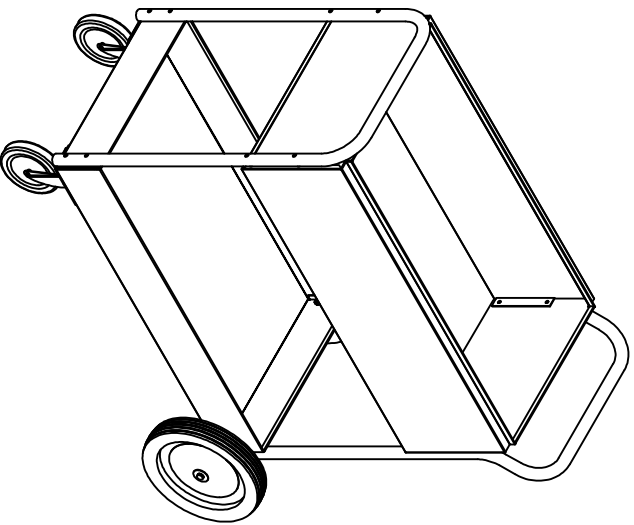


# KWIK FILE®

Panel Cart - 34" & 42"  
 Model No's. 90125 & 90126





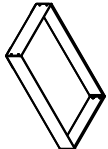










ASSEMBLY INSTRUCTIONS

CALL 1-800-822-8037 FOR ASSISTANCE

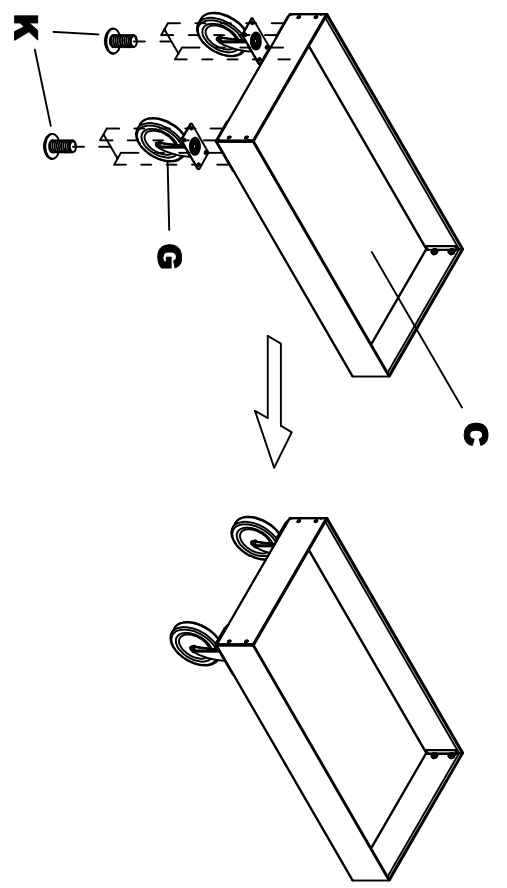
P/N 90125-6 REV 01 3/13/08

## PARTS LIST

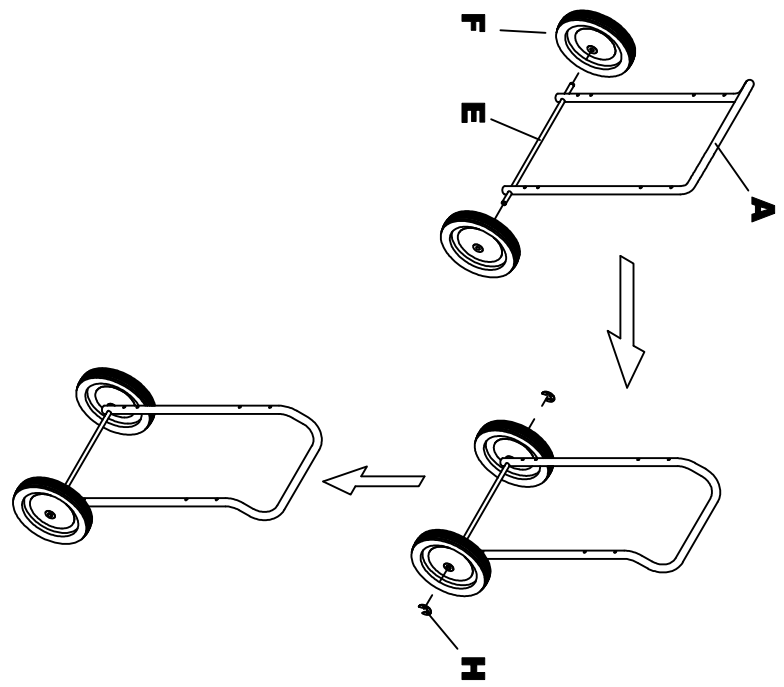
Name	Part	Qty.	Name	Part	Qty.
<b>A</b>	 <b>90125A</b> Rear Leg	<b>1</b>	<b>G</b>	 <b>90125FG</b> Front Caster	<b>2</b>
<b>B</b>	 <b>90125B</b> Front Leg	<b>1</b>	<b>H</b>	 Retaining Clip	<b>2</b>
<b>C</b>	 <b>90125C</b> Lower Tray	<b>1</b>	<b>I</b>	 Lock Washer	<b>17</b>
<b>D</b>	 <b>90125D</b> Upper Tray	<b>1</b>	<b>J</b>	 Star Washer	<b>17</b>
<b>E</b>	 <b>90125E</b> Axle	<b>1</b>	<b>J</b>	 Caster Screw M6x7mm	<b>9</b>
<b>F</b>	 <b>90125FG</b> Rear Wheel	<b>2</b>	<b>J</b>	 Machine Screw M6x32mm	<b>17</b>
				 <b>90125HB</b>	

Items with HB are in the hardware box.  
 ~~ Represents Last Two Digits of Model No. (25,26)

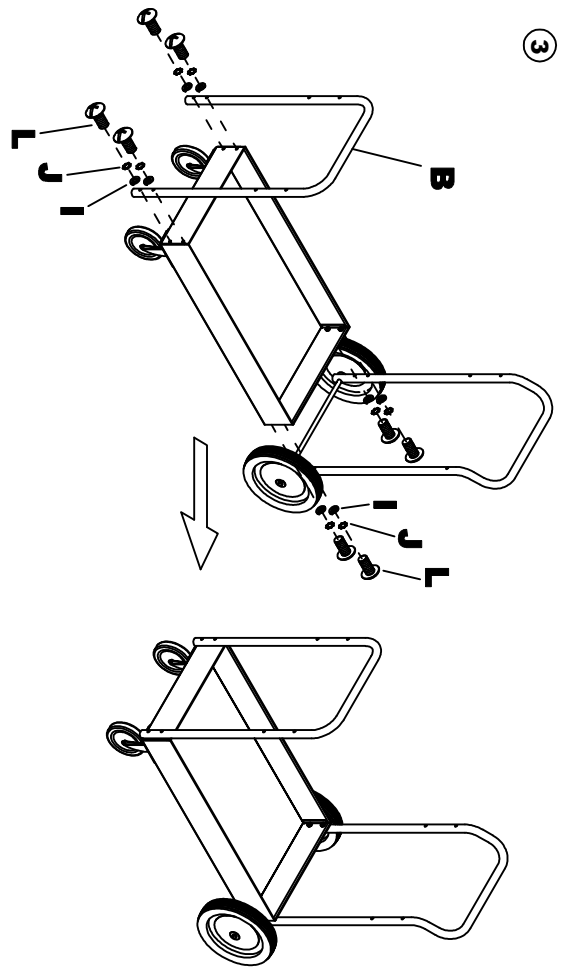
1



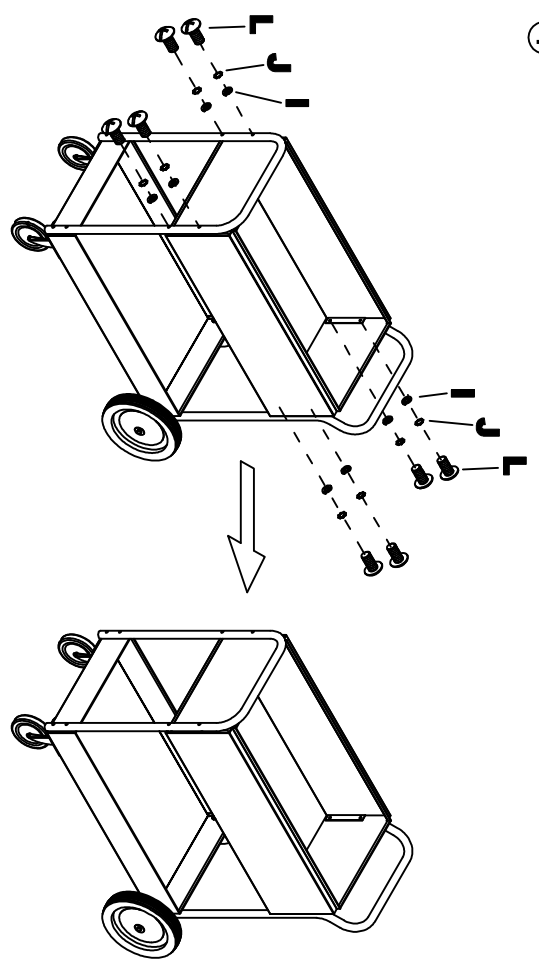
2



3



4



2

3