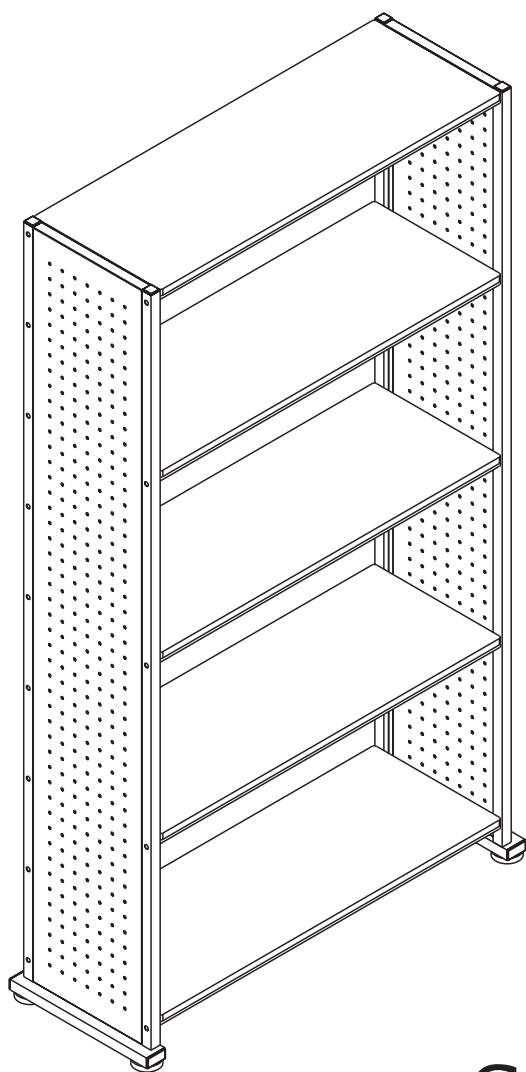




Tiffany Industries™
A MAYLINE GROUP COMPANY

Model No. 995

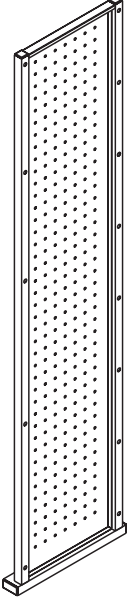
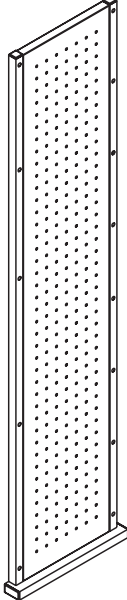
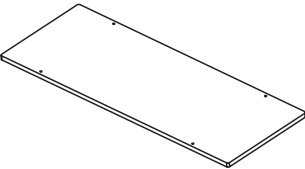


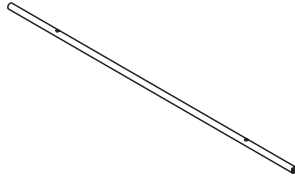
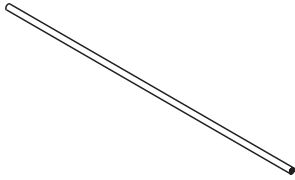
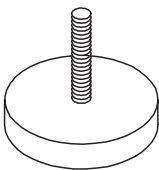
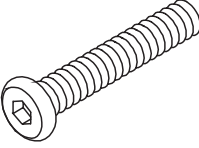
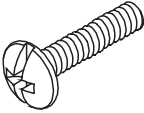
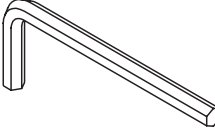
SHELVING 5-LEVEL





ASSEMBLY INSTRUCTIONS

CALL 1-800-822-8037 FOR ASSISTANCE

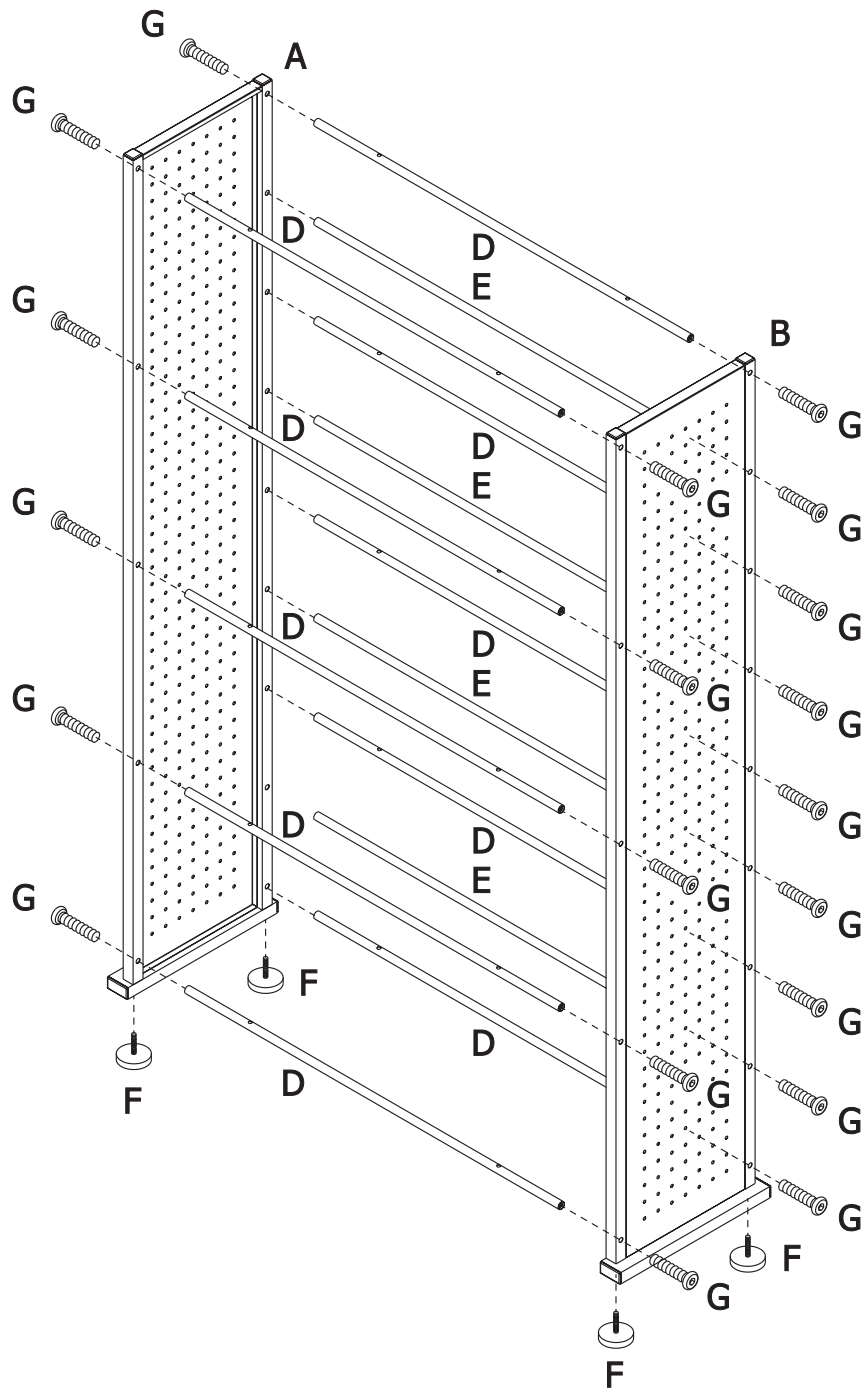
PARTS LIST

Name	Part	Qty.
A		1
B		1
C		5

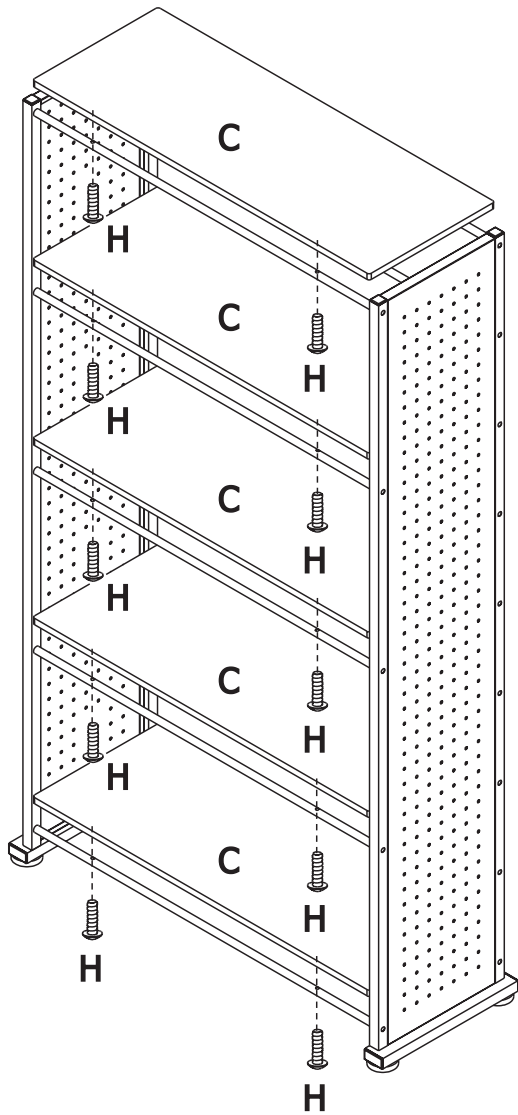
Name	Part	Qty.
D		10
E		4
F		4
G		28
H		21
I		1

		
	3/16 20	

1



2



3

