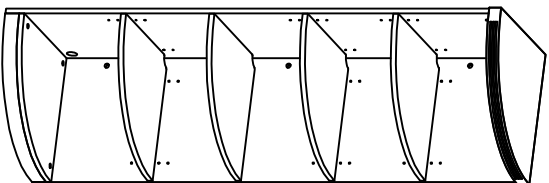


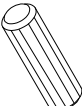





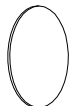



**Aberdeen Series™**  
**5 Shelf Quarter Round Bookcase**  
**Model No. ABQ5**



**ASSEMBLY INSTRUCTIONS**

**CALL 1-800-822-8037 FOR ASSISTANCE**

**PARTS LIST**

Name	Part	Qty.	Spare Qty	Name	Part	Qty.	Spare Qty
<b>A</b>	 <b>REALS004</b> Wood Dowel	<b>14</b>	<b>1</b>	<b>F</b>	 <b>REALS005</b> Ø4 x 16mm	<b>18</b>	<b>2</b>
<b>B</b>	 <b>REALS003</b> Cam Post	<b>15</b>	<b>1</b>	<b>G</b>	 <b>REALS065</b> Shelf Cam	<b>12</b>	
<b>C</b>	 <b>REALS001</b> Cam Fastener	<b>15</b>	<b>1</b>	<b>H</b>	 <b>REALS066</b> Shelf Post	<b>12</b>	
<b>D</b>	 <b>REALS102**</b> Cam Sticker	<b>15</b>	<b>1</b>	<b>H1</b>	 <b>REALS230**</b> Cap	<b>3</b>	
<b>E</b>	 <b>REALS008</b> Corner Bracket with Glide	<b>3</b>		<b>J</b>	 <b>REALS104</b> Grommet	<b>2</b>	

Items with HB are in hardware box.  
\*\*Denotes Color Code

# PARTS LIST

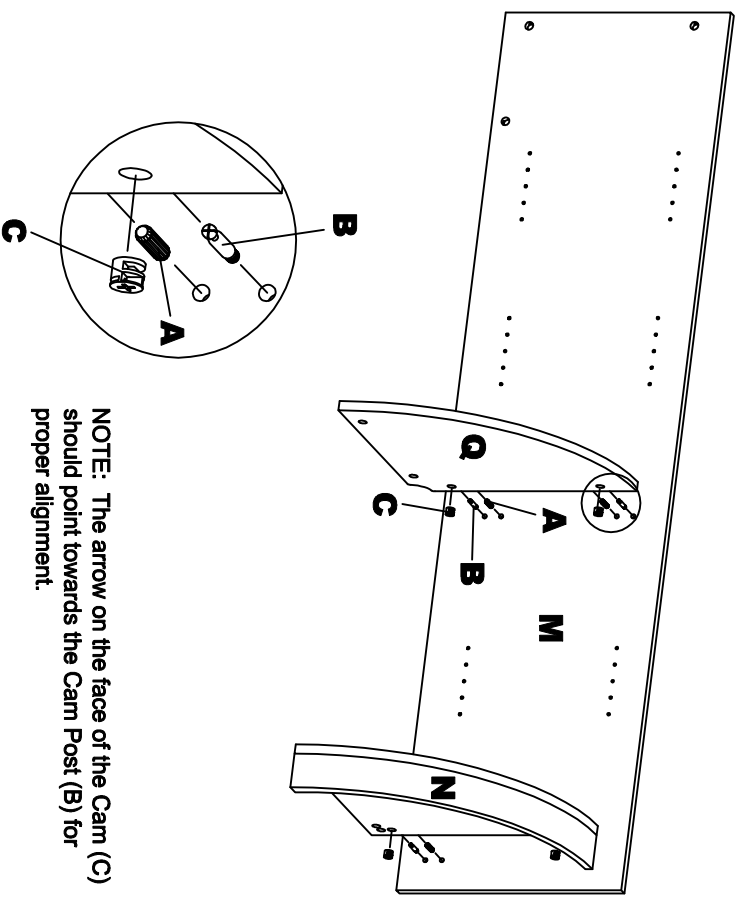
Name	Part	Qty.	Name	Part	Qty.
<b>K*</b>	<b>ABQK**</b> Top	<b>1</b>	<b>P*</b>	<b>ABQP**</b> Movable Shelf	<b>3</b>
<b>L</b>	<b>ABQSL**</b> Left Side Panel	<b>1</b>	<b>Q*</b>	<b>ABQSQ**</b> Fixed Shelf	<b>1</b>
<b>M</b>	<b>ABQSM**</b> Right Side Panel	<b>1</b>			
<b>N*</b>	<b>ABQN**</b> Bottom	<b>1</b>			

\* Available in Cherry (LCR) or Mocha (LDC) finish only.

\*\*Denotes Color Code

**1**

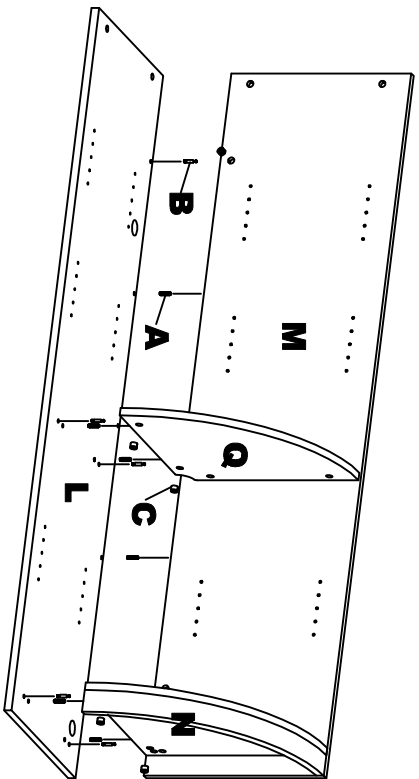
Insert Wood Dowels (A) into Fixed Shelf (Q), and Bottom (N). Insert Cam (C) into Fixed Shelf (Q) and Bottom (N). Install Cam Posts (B) into threaded inserts in Right Side Panel (M). Attach Right Side Panel (M) to Fixed Shelf (Q) and Bottom (N) by turning Cam (C).



NOTE: The arrow on the face of the Cam (C) should point towards the Cam Post (B) for proper alignment.

**2**

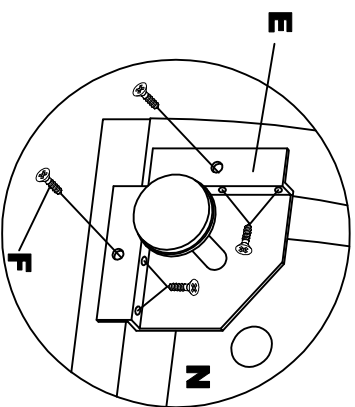
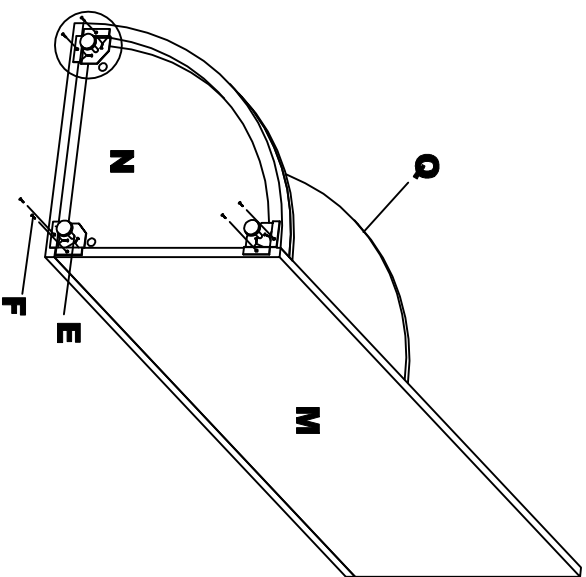
Insert Wood Dowels (A) into Fixed Shelf (Q), and Bottom (N). Insert Cambs (C) into Fixed Shelf (Q) and Bottom (N). Install Cam Posts (B) into threaded inserts in Left Side Panel (L). Attach Left Side Panel (L) to Fixed Shelf (Q) and Bottom (N) by turning Cambs (C).



**4**

**3**

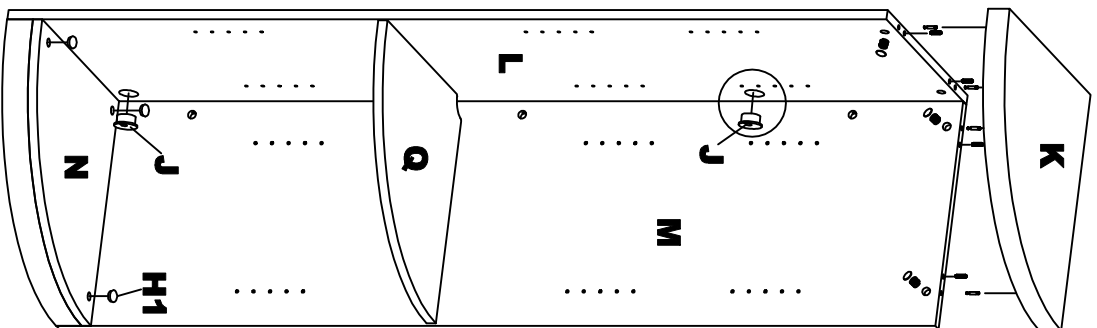
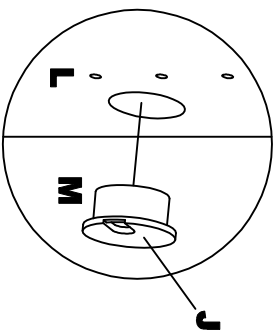
Attach Corner Brackets with Glides (E) using Screws (F).



**5**

**4**

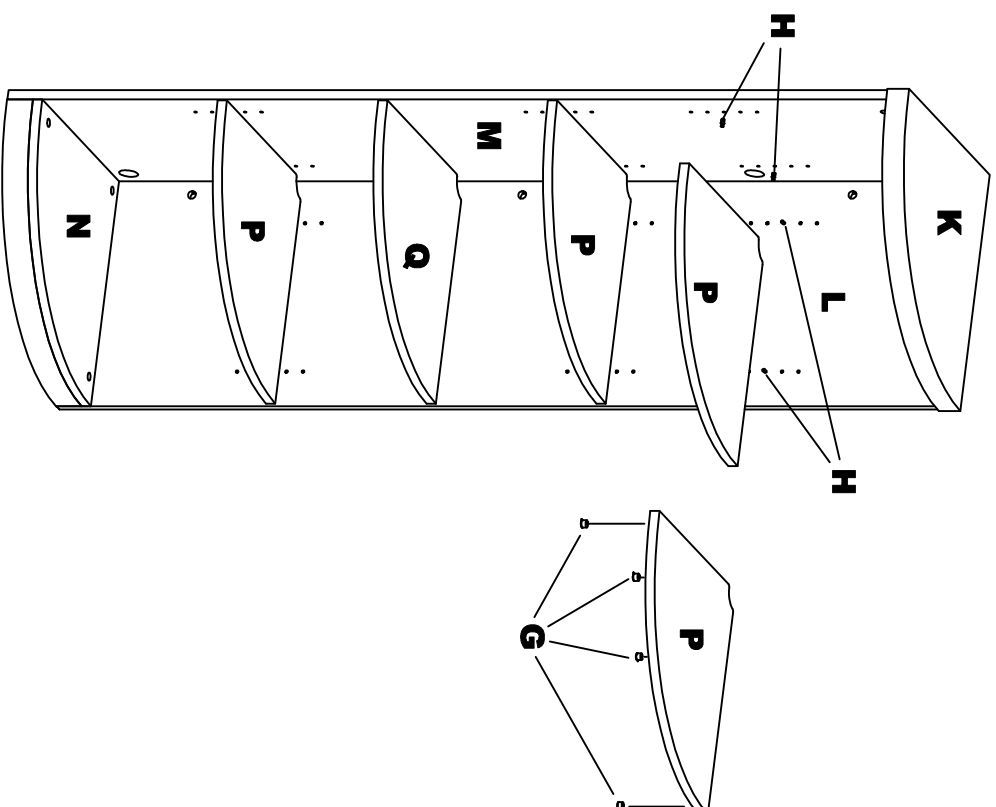
Insert Wood Dowels (A) into top of Side Panel (L & M). Insert Cam (C) into Side Panels (L & M). Install Cam Posts (B) into threaded Inserts in Top (K). Attach Top (K) to Side Panels (L & M) by turning Cam (C). Insert Grommets (J) into Side Panel (L). Place Cam Stickers (D) over exposed Cam (C). Insert Caps (H1) into adjustment holes for levels.



**6**

**5**

Insert Shelf Cam (G) into Moveable Shelves (P) with open slot in cam to edge of shelf. Screw Shelf Posts (H) into Side Panels (L & M). Press Shelves onto Shelf Posts. Turn Shelf Cam (G) screw to lock in place.



**7**