

ASSEMBLY INSTRUCTIONS

Mercado Alliance Chair

Model No. AL



Tiffany Industries™

A MAYLINE GROUP COMPANY

619 N. Commerce, P.O. Box 728 Toll Free: 1-800-822-8037
 Sheboygan, WI 53082-0728 FAX: 920-457-7388
 On Line: www.mayline.com

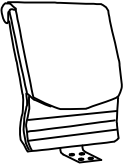
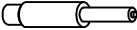



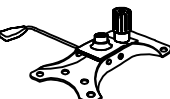



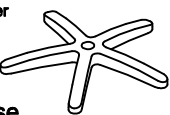


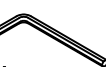

P/N AL REV 02 8/07

PARTS LIST AL

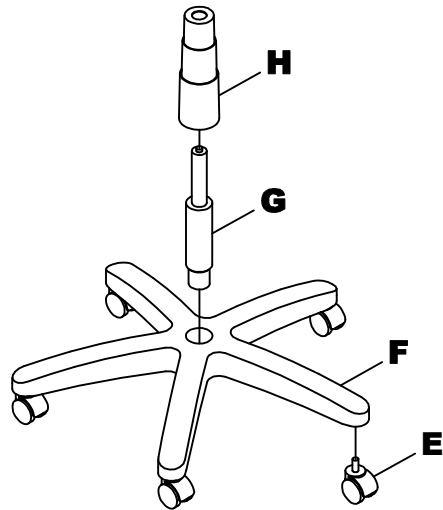
When ordering components, specific color and/or size information may be required.
 Contact a Mayline Customer Service Representative. 1-800-822-8037

* Individual Items, Order by part number.

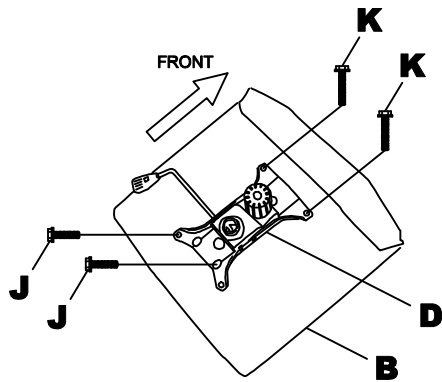
** Denotes Color Code.

Reference Letter A*  Part Number 101478** Back	Quantity 1	Reference Letter G*  Part Number 101404 Cylinder	Quantity 1
Reference Letter B*  Part Number 101481** Seat	Quantity 1	Reference Letter H*  Part Number 101405 Cylinder Cover	Quantity 1
Reference Letter C*  Part Number 101453 Arms (pair)	Quantity 2	Part Number 101414* Hardware Bag	
Reference Letter D*  Part Number 101403 Mechanism	Quantity 1	Reference Letter J  Screw 1/4-20 x 1"	Quantity 6 Spare 1
Reference Letter E*  Part Number 101400 Caster (5 per pack)	Quantity 5	Reference Letter K  Screw 1/4-20 x 1-1/4"	Quantity 2
Reference Letter F*  Part Number 101412 Base	Quantity 1	Reference Letter L  Screw 5/16-18 x 2"	Quantity 4
		Reference Letter M  Arm Plug	Quantity 4 Spare 1
		Reference Letter N  Allen Wrench	Quantity 1
		Reference Letter P  Allen Wrench	Quantity 1

1

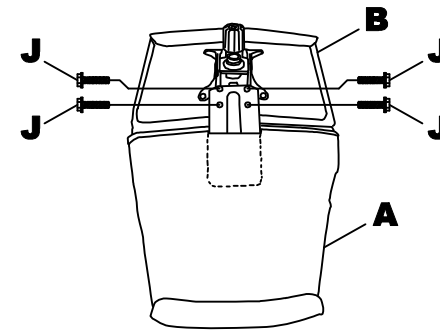


1. Place Base (F) upside down and push Casters (E) firmly into base. 5 places.
2. Turn Base right side up and insert Cylinder (G) into center hole of Base.
3. Place Cylinder Cover (H) over Cylinder.

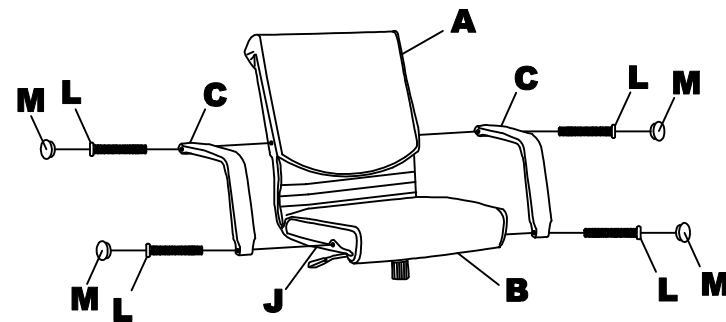


4. Assemble Mechanism (D) onto Seat (B) using Screws (K) 2 places located in front of Seat and using Screws (J) 2 places as shown.

2



5. Assemble Back (A) onto Seat (B) using Screws (J) 4 places. **DO NOT TIGHTEN SCREWS** at this time. This will allow a tolerance when assembling arms.



6. Assemble Arm (C) 2 places onto Back (A) & Seat (B) using Screws (L) 4 places. **DO NOT TIGHTEN SCREWS** at this time.

7. After both arms are installed tighten all Screws (L) 4 places and Screws (J) 4 places.

8. Insert Arm Plug (M) into Arm (C) 4 places.

3



9. Carefully place chair assembly onto base assembly.

NOTE: Periodically (Every 90 days) make sure screws are fully tightened.

OPERATING INSTRUCTIONS FOR CENTER PIVOT (BUTTERFLY) MECHANISM

1. Seat Height Adjustment.

To raise the seat, pull lever upward and raise your body up slightly to allow the chair to rise to the desired height.

To lower the seat, pull lever upward and apply weight downward on the seat.

Seat Upright Lock

To lock chair in upright position, lean forward and push knob toward chair.

To unlock chair in upright position, lean forward and pull knob away from chair.

2. Tilt Tension Control Knob.

Turn knob clockwise to increase tilt tension.

Turn knob counter-clockwise to decrease tilt tension.

