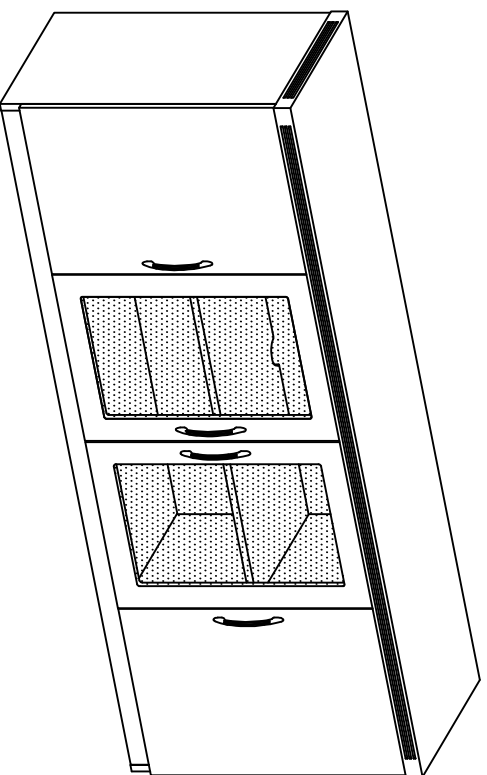


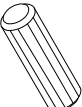
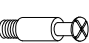

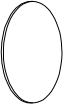


Aberdeen Series™
Low Wall Cabinet
Model No. ALC









ASSEMBLY INSTRUCTIONS

CALL 1-800-822-8037 FOR ASSISTANCE

PARTS LIST

Name	Part	Qty.	Spare Qty
A	REALS004 Wood Dowel 	30	3
B	REALS003 Cam Post 	32	3
C	REALS001 Cam Fastener 	32	3
D	REALS102** Cam Sticker 	32	3
E	REALS191 Handle w/ screws 	4	
F	REALS008 Corner Bracket w/ Glide 	4	

Name	Part	Qty.	Spare Qty
G	REALS203 Ø4 x 16mm 	24	2
H	REALS009 Shelf Support Pin 	12	
J	REALS025 Door Stop 	1	
K	REALS017 Ø3.5 x 16mm 	2	
L	REALS230** Cap 	4	
	ALCHB 		

Items with HB are in hardware box.
**Denotes Color Code

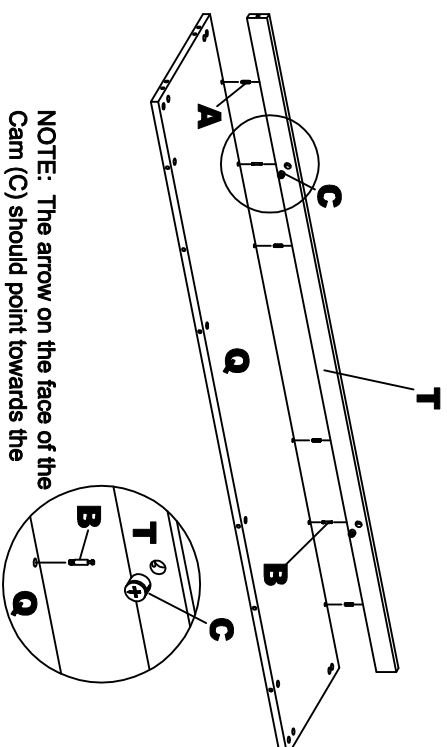
PARTS LIST

Name	Part	Qty.
M*	ALCM** Top	1
N	ALCN** Left Side Panel	1
P	ALCP** Right Side Panel	1
Q	ALCQ** Bottom	1
R	ALCR** Right Vertical Board	1
S	ALCS** Left Vertical Board	1
T	ALCTK** Toe Kick	1

Name	Part	Qty.
U	ALCU** Back Panel	1
V	ALCV** Short Movable Shelf	1
W	ALCW** Long Movable Shelf	1
X*	ALGX** Wood Door	2
Y*	ALGY** Glass Door	2

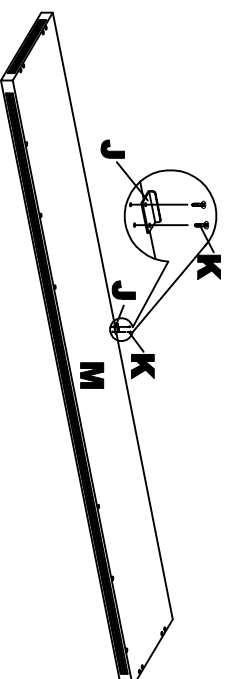
* Available in Cherry (LCR) or Mocha (LDC) finish only.
 **Denotes Color Code

- 1** Insert Wood Dowels (A) into Toe Kick (T). Insert Cam (C) into Toe Kick (T). Install Cam Posts (B) into threaded Inserts in Bottom (Q). Attach Toe Kick (T) to Bottom (Q) by turning Cam (C).



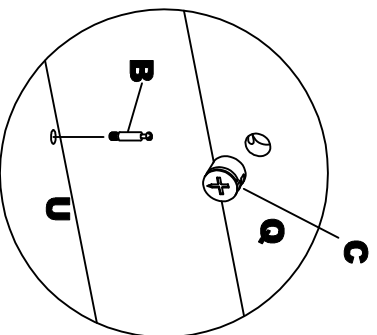
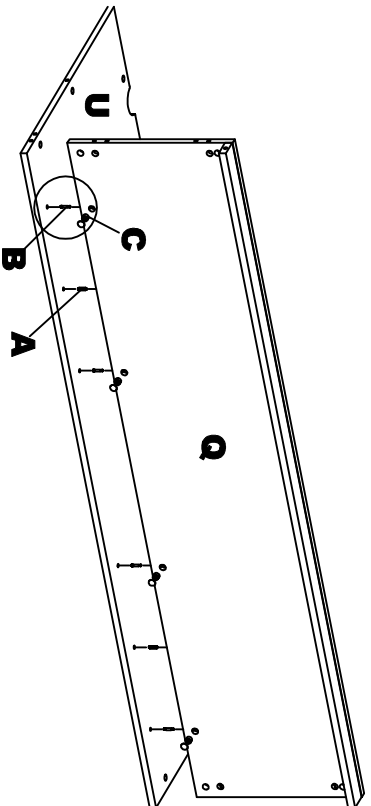
NOTE: The arrow on the face of the Cam (C) should point towards the Cam Post (B) for proper alignment.

- 2** Attach Door Stop (J) to Top (M) using Screws (K).



3

Insert Wood Dowels (A) into Bottom (Q). Insert Cam (C) into Bottom (Q). Install Cam Posts (B) into threaded Inserts in Back Panel (U). Attach Bottom (Q) to Back Panel (U) by turning Cam (C).

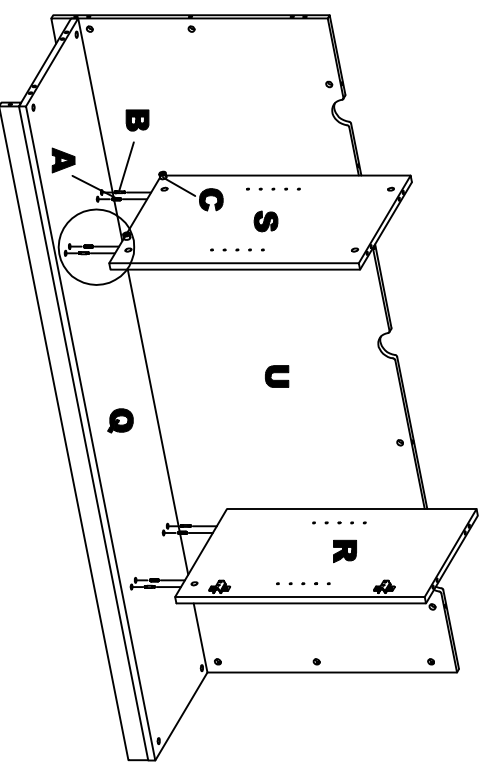


NOTE: The arrow on the face of the Cam (C) should point towards the Cam Post (B) for proper alignment.

4

4

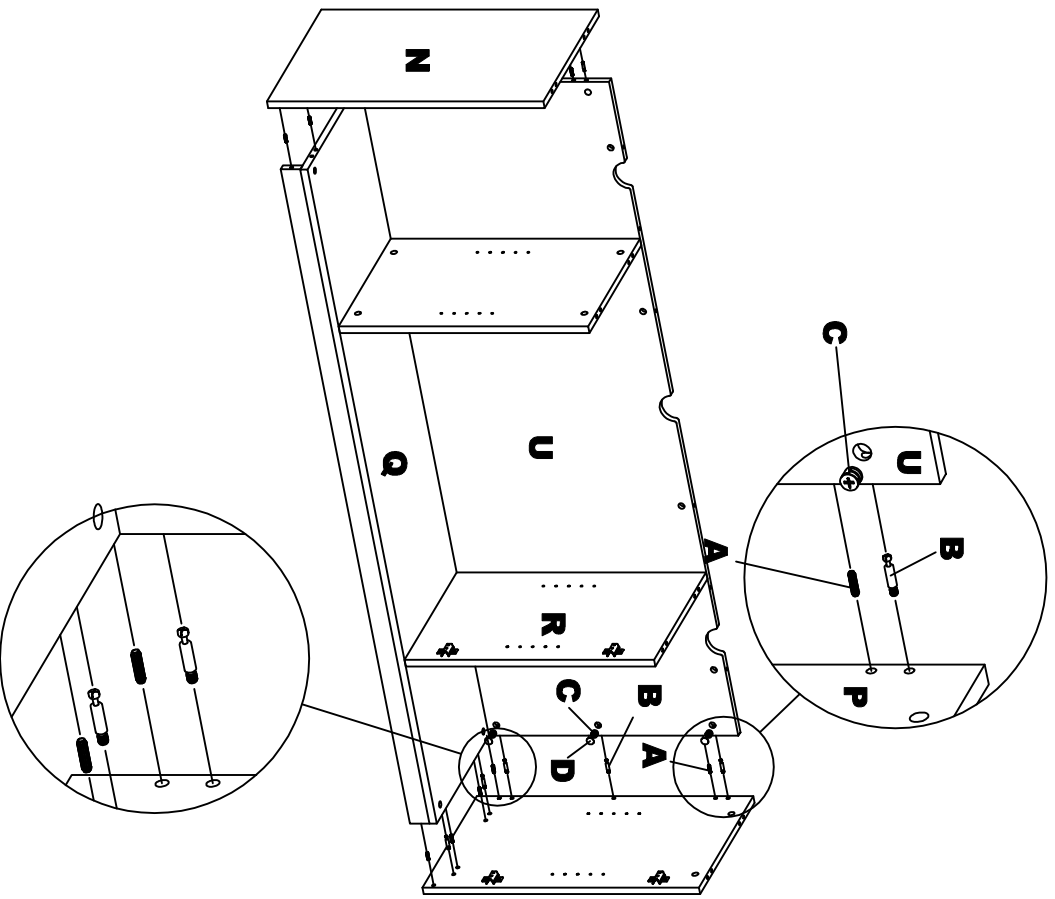
Insert Wood Dowels (A) into Right and Left Vertical Boards (R & S). Insert Cam (C) into Right and Left Vertical Boards (R & S). Install Cam Posts (B) into threaded Inserts in Bottom (Q). Attach Right and Left Vertical Boards (R & S) to Bottom (Q) by turning Cam (C).



5

5

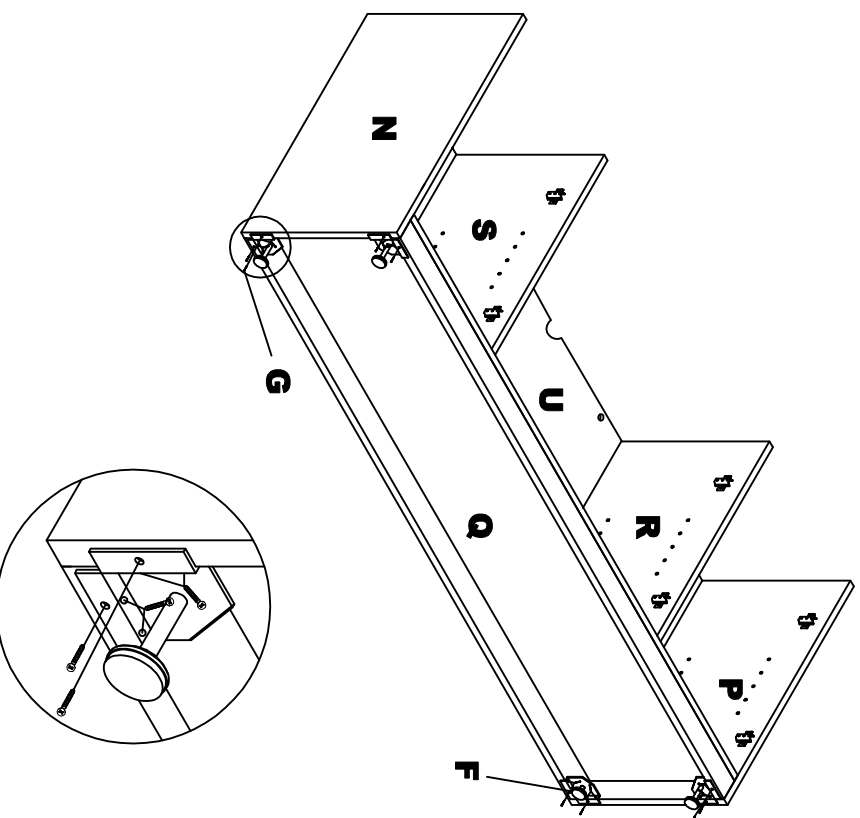
Insert Wood Dowels (A) into sides of Bottom (Q), Toe Kick (T), and Back Panel (U). Insert Cambs (C) into Bottom (Q) and Back Panel (U). Install Cam Posts (B) into threaded inserts in Left and Right Side Panels (N & P). Attach Left and Right Side Panels (N & P) to Bottom (Q) and Back Panel (U) by turning Cambs (C).



6

6

Attach Corner Brackets with Glides (F) using Screws (G).

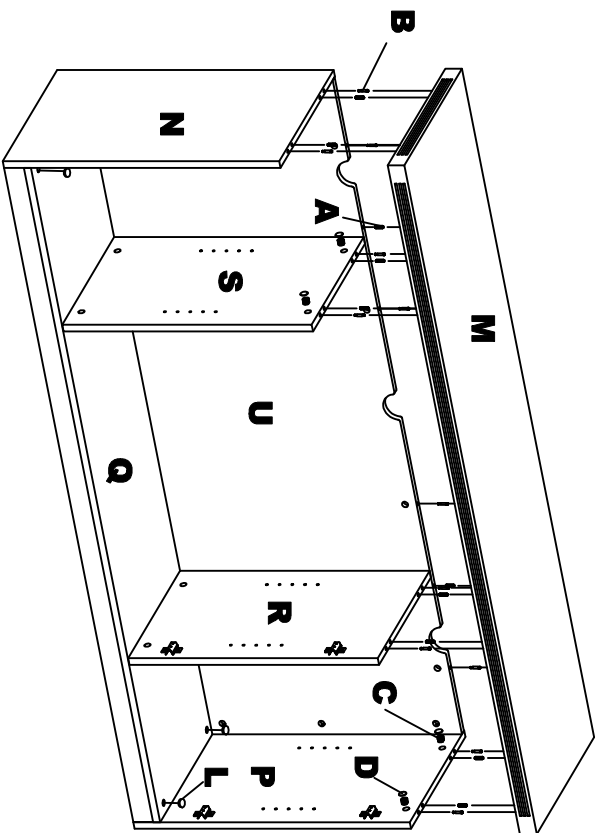


7

7

Insert Wood Dowels (A) into tops of Left and Right Side Panel (N & P), Left and Right Vertical Panels (R & S), and Back Panel (U). Insert Cambs (C) into Left and Right Side Panel (N & P), Left and Right Vertical Panels (R & S), and Back Panel (U). Install Cam Posts (B) into threaded inserts in Top (M). Attach Top (M) to Left and Right Side Panel (N & P), Left and Right Vertical Panels (R & S), and Back Panel (U) by turning Cambs (C).

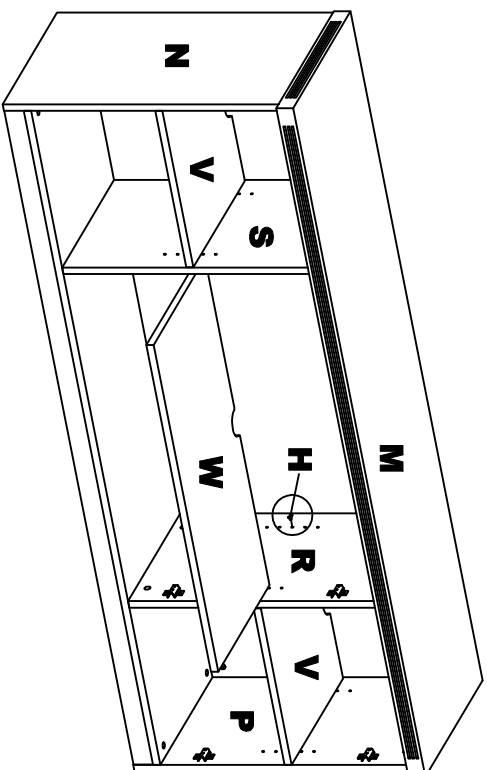
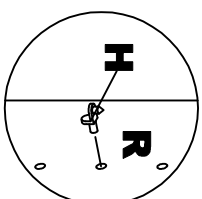
Apply Cam Stickers (D) onto exposed Cambs (C). Insert Caps (L) into adjustment holes for levelers.



8

8

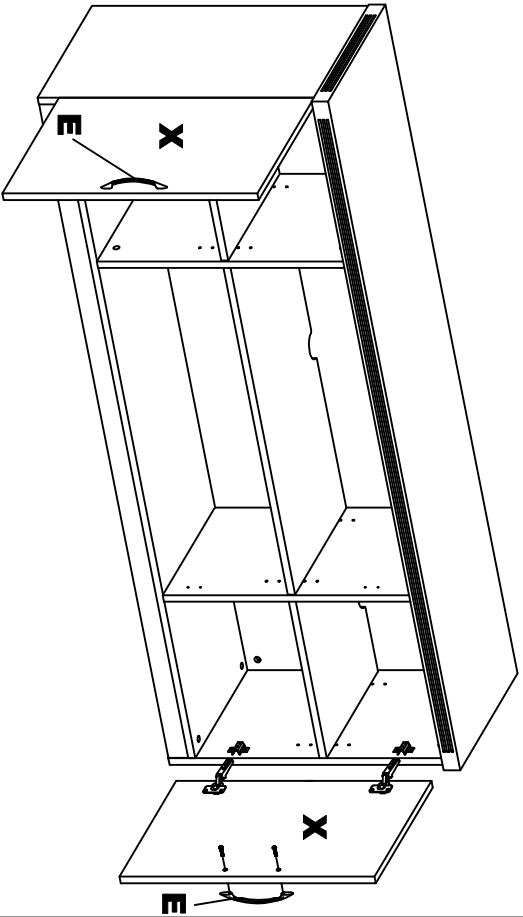
Install Shelf Support Pins (H) into Left and Right Side Panel (N & P), Left and Right Vertical Panels (R & S). Install Short Moveable Shelves (V) and Long Moveable Shelf (W).



9

9

Attach Handles (E) to Wood Doors (X) using Screws supplied with Handle. Install Wood Doors (X) onto cabinet.

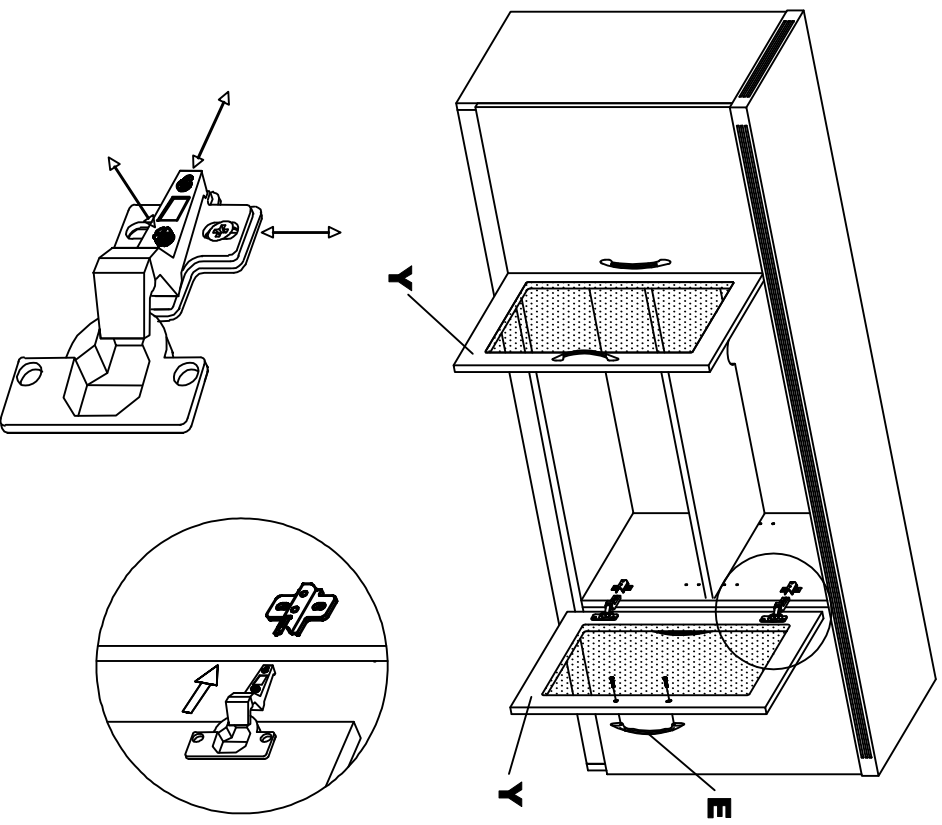


10

10



Attach Handles (E) to Glass Doors (Y) using Screws supplied with Handle. Install Glass Doors (Y) onto cabinet.




Adjust all doors for alignment as necessary by using the adjustment screws on the hinges. **DO NOT** use Power Driver to make these adjustments.



11

Pre-Installed Replacement Parts List

Part	Included Qty.
 REALS013 Hinge - Straight	4
 REALS051 Hinge - Offset	4

Part	Included Qty.
 REALS013P Hinge Plate - Short	8
 REALS018 Ø4 x 14mm	32
 REALS247 Bumper	4