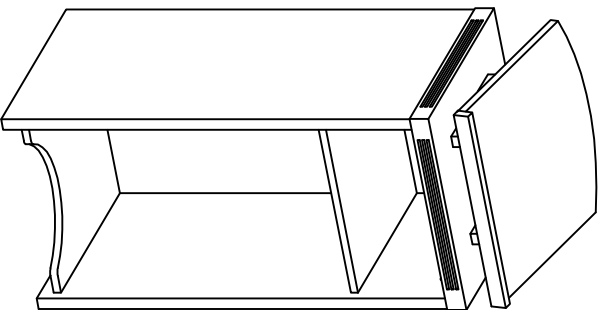


**Aberdeen Series™  
Lectern**

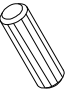

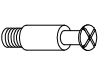



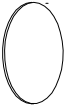


**Model No. ALCT**



**ASSEMBLY INSTRUCTIONS**

**CALL 1-800-822-8037 FOR ASSISTANCE**





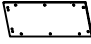

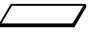
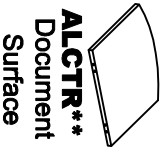
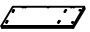

**PARTS LIST**

Name	Part	Qty.	Spare Qty	Name	Part	Qty.	Spare Qty
<b>A</b>	 <b>REALS004</b> Wood Dowel	<b>24</b>	<b>2</b>	<b>F</b>	 <b>REALS005</b> Ø4 x 16mm	<b>16</b>	<b>2</b>
<b>B</b>	 <b>REALS003</b> Cam Post	<b>28</b>	<b>2</b>	<b>G1</b>	 <b>REALS276</b> Grommet	<b>1</b>	
<b>C</b>	 <b>REALS001</b> Cam Fastener	<b>28</b>	<b>2</b>	<b>G2</b>	 <b>REALS211</b> M6 x 50mm	<b>4</b>	
<b>D</b>	 <b>REALS102**</b> Cam Sticker	<b>28</b>	<b>2</b>		 <b>ALCTHB</b>		
<b>E</b>	 <b>REALS027</b> Caster	<b>4</b>					

Items with HB are in hardware box.

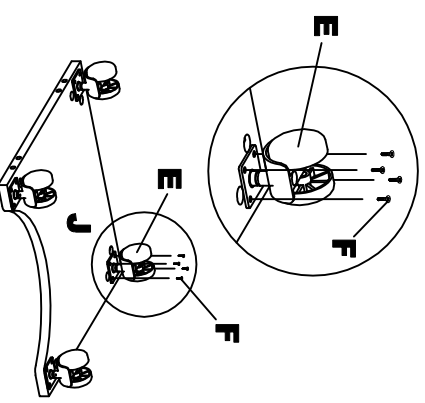
\*\*Denotes Color Code

# PARTS LIST

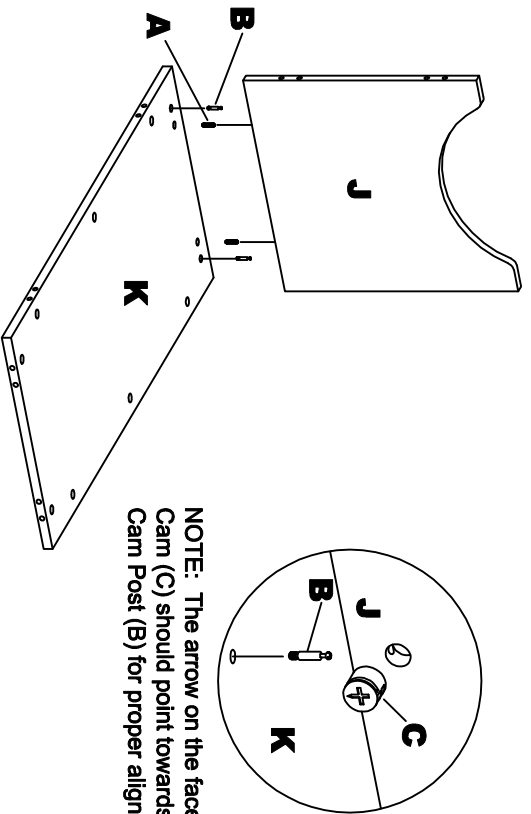
Name	Part	Qty.	Name	Part	Qty.
<b>H</b>	<b>ALCTH**</b> Top 	<b>1</b>	<b>N</b>	<b>ALCTN**</b> Fixed Shelf 	<b>1</b>
<b>J</b>	<b>ALCTJ**</b> Bottom Panel 	<b>1</b>	<b>P</b>	<b>ALCTP**</b> Right Vertical Board 	<b>1</b>
<b>K</b>	<b>ALCTBP**</b> Back Panel 	<b>1</b>	<b>Q</b>	<b>ALCTQ**</b> Left Vertical Board 	<b>1</b>
<b>L</b>	<b>ALCTL**</b> Left Side Panel 	<b>1</b>	<b>R</b>	<b>ALCTR**</b> Document Surface 	<b>1</b>
<b>M</b>	<b>ALCTM**</b> Right Side Panel 	<b>1</b>	<b>S</b>	<b>ALCTS**</b> Document Stop 	<b>1</b>

\*\*Denotes Color Code

**1** Fasten Casters (E) to the Bottom Shelf (J) using Screws (F).



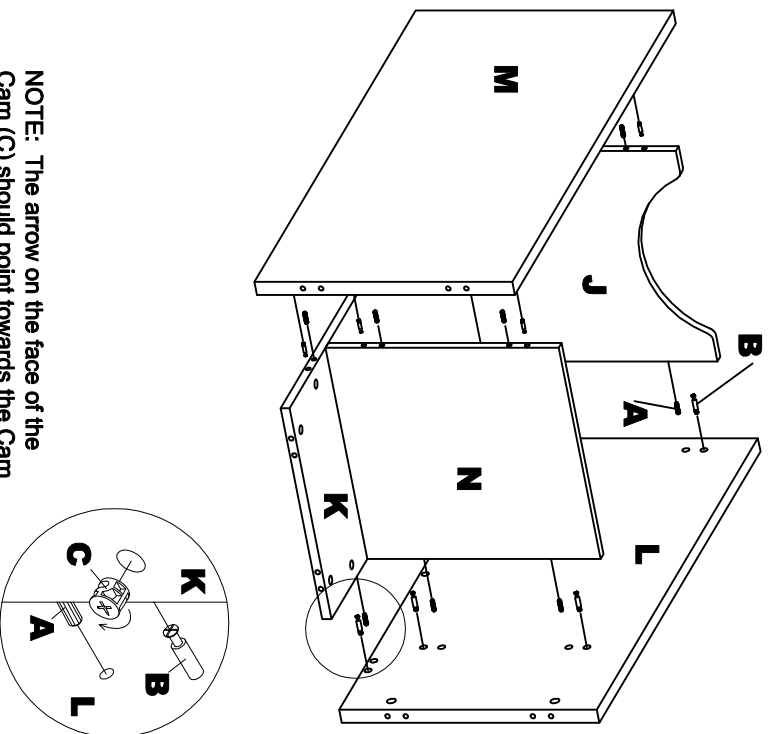
**2** Install Cam Posts (B) into threaded inserts in Backpanel (K). Insert Dowels (A) and Cams (C) into Bottom Shelf (J). Secure Bottom Panel (J) to Back Panel (K) by turning Cams (C).



NOTE: The arrow on the face of the Cam (C) should point towards the Cam Post (B) for proper alignment.

**3**

Insert Dowels (A) and Cambs (C) into the side of the Bottom Panel (J) and Fixed Shelf (N). Install Cam Posts (B) into threaded inserts in Side Panels (L, M). Attach Side Panels (L, M) to Bottom Panel (J) and Fixed Shelf (N) by turning Cambs (C).

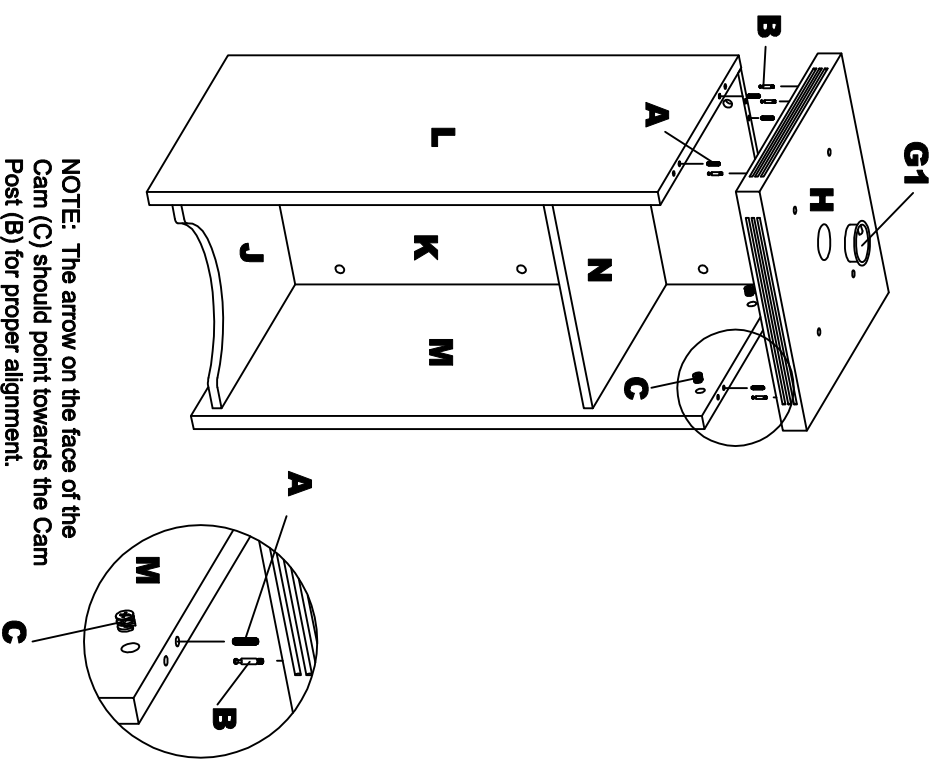


NOTE: The arrow on the face of the Cam (C) should point towards the Cam Post (B) for proper alignment.

**4**

**4**

Insert Dowels (A) and Cambs (C) into the tops of Back Panel (J) and Side Panels (L, M). Install Cam Posts into threaded inserts in the underside of the Top (H). Attach assembly by turning Cambs (C).

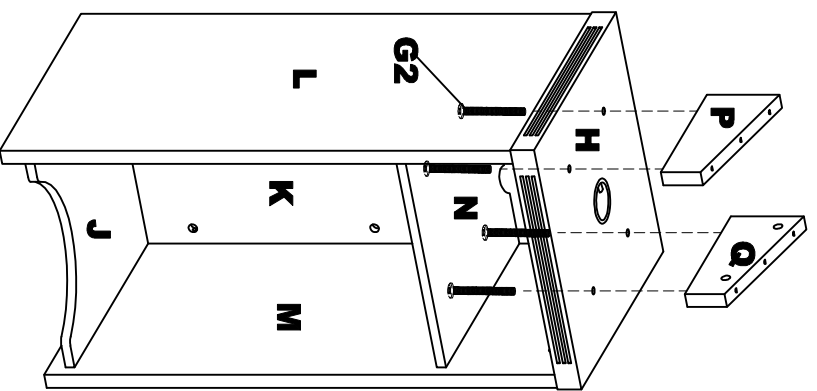


NOTE: The arrow on the face of the Cam (C) should point towards the Cam Post (B) for proper alignment.

**5**

**5**

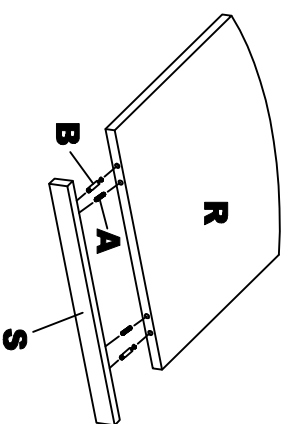
Use Screws (G2) to secure the Left and Right Vertical Board (P & Q) to the top panel (H).



**6**

**6**

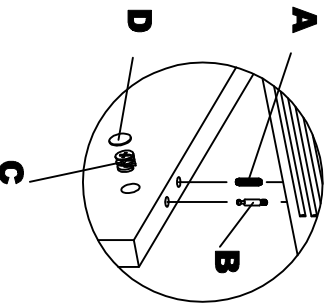
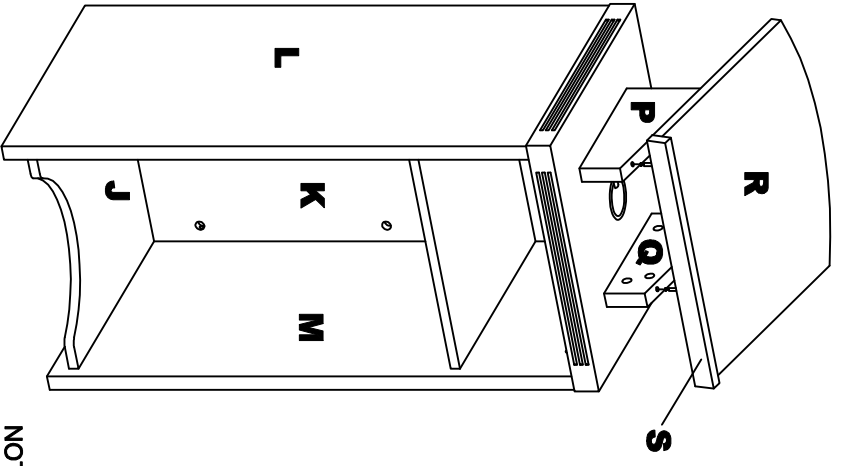
Insert Dowels (A) and Cambs (C) into the Document Surface (R). Install Cam Posts into the Document Stop (S). Attach the Document Stop (S) to the Document Surface (R) by turning Cambs (C).



**7**

**7**

Insert Cam Posts (C) into the Left and Right Vertical Boards (P, Q). Install Cam Posts (B) into the threaded insert in underside of the Document Surface (R). Secure Document Surface (R) in place by turning Cam Posts (C). Apply Cam Stickers (D) to all exposed Cam Posts (C).



NOTE: The arrow on the face of the Cam (C) should point towards the Cam Post (B) for proper alignment.

**8**