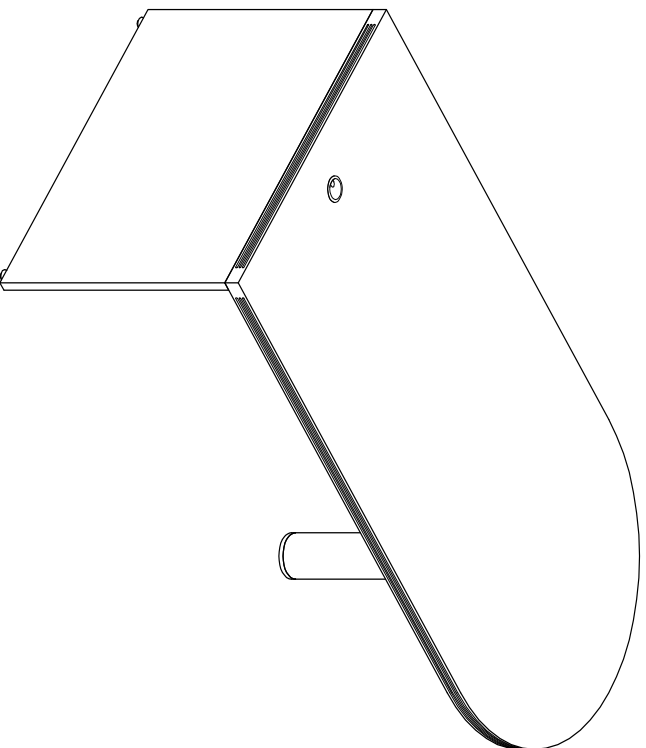


Aberdeen Series™

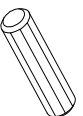
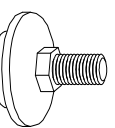
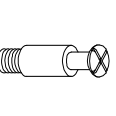
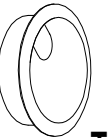

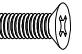
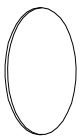
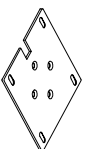

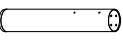
Freestanding Peninsula 72" x 36"
Model No. APT7236



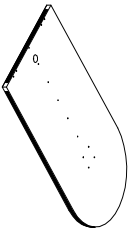
ASSEMBLY INSTRUCTIONS

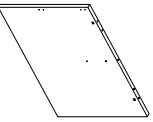
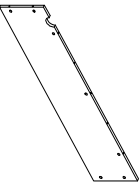
CALL 1-800-822-8037 FOR ASSISTANCE

PARTS LIST

Name	Part	Qty.	Spare Qty.	Name	Part	Qty.	Spare Qty.
A	 REALS004 Wood Dowel HB	6	1	E	 REALS067 Leveler HB	2	
B	 REALS003 Cam Post HB	11	1	F	 REALS100 Grommet HB	1	
C	 REALS001 Cam Fastener HB	11	1	G	 REALS043 Ø6 x 15mm HB	8	1
D	 REALS102** Cam Sticker HB	11	1	H	 REALS164 Plate For Leg HB	1	
	 APTHB Items with HB are in hardware box			J	 REALS165 Metal Leg HB	1	

PARTS LIST

Name	Part	Qty.
K*	 APT7236K** Top	1

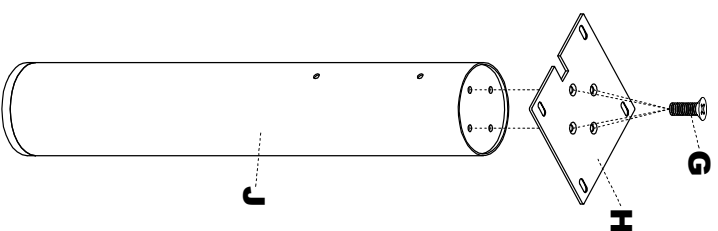
Name	Part	Qty.
L	 APT36L** End Panel	1
M	 APT722M** Modesty Panel	1

Item with HB are in hardware box.
 * Available in Cherry (LCR) or Mocha (LDC) finish only.
 **Denotes Color Code

2

1

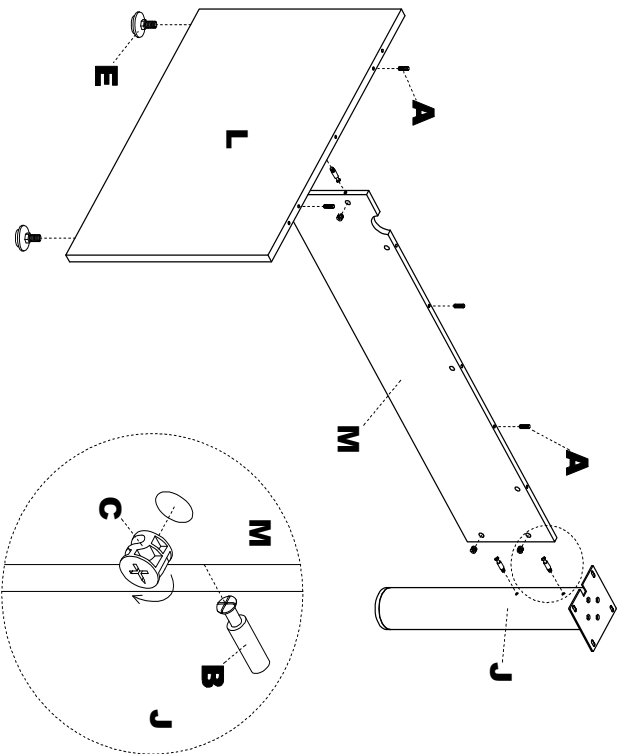
Attach Plate (H) to Leg (J) using Screws (G).



3

2

Install Cam Posts (B) into End Panel (L) and Leg (J). Insert Wood Dowels (A) into End Panel (L) and Modesty Panel (M). Install Levelers (E) into bottom of End Panel (L). Fasten End Panel (L), Modesty Panel (M) and Leg (J) together by turning Cam (C).

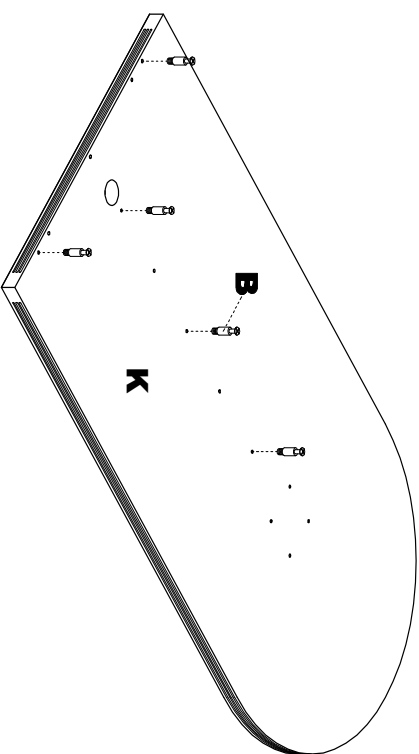


NOTE: The arrow on the face of the Cam (C) should point towards the Cam Post (B) for proper alignment.

4

3

Install Cam Posts (B) into underside of Top (K).



5

4

Place Top (K) onto base assembly and lock in place by turning Cams (C). Fasten leg assembly to Top (K) using Screws (G). Apply Cam Stickers (D) onto Cams (C) and insert Grommet (F) into Top (K).

