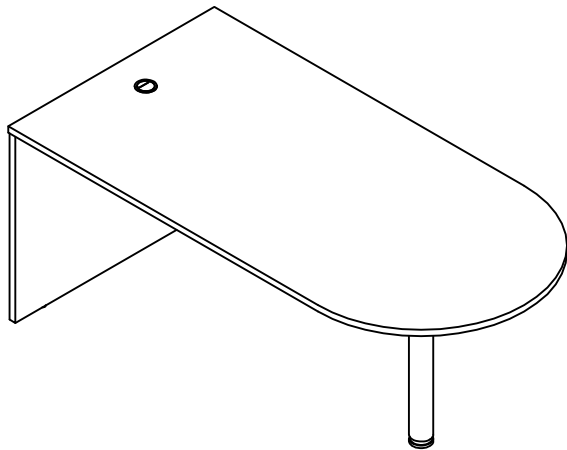
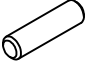

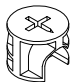
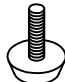
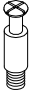





Brighton Series™
Peninsula Table
Model No. BTPT7236



ASSEMBLY INSTRUCTIONS
CALL 1-800-822-8037 FOR ASSISTANCE

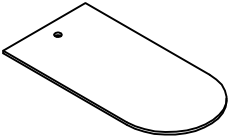
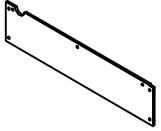
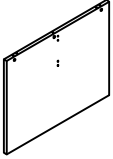
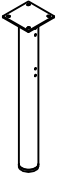
PARTS LIST

Name	Part	Qty.	Spare Qty	Name	Part	Qty.	Spare Qty
A	 REALS004 Wood Dowel	8	1	E	 REALBY015 Grommet 60mm	1	
B	 REALS001 Cam Lock	10	1	F	 REALBY017 Leveler	2	1
C	 REALS003 Cam Post	10	1	G	 REALBY013 M6 x 20mm	4	1
D	 REALBY005** Cam Sticker	10	1		 BTPTHB		

Items with HB are in hardware box.

**Denotes Color Code

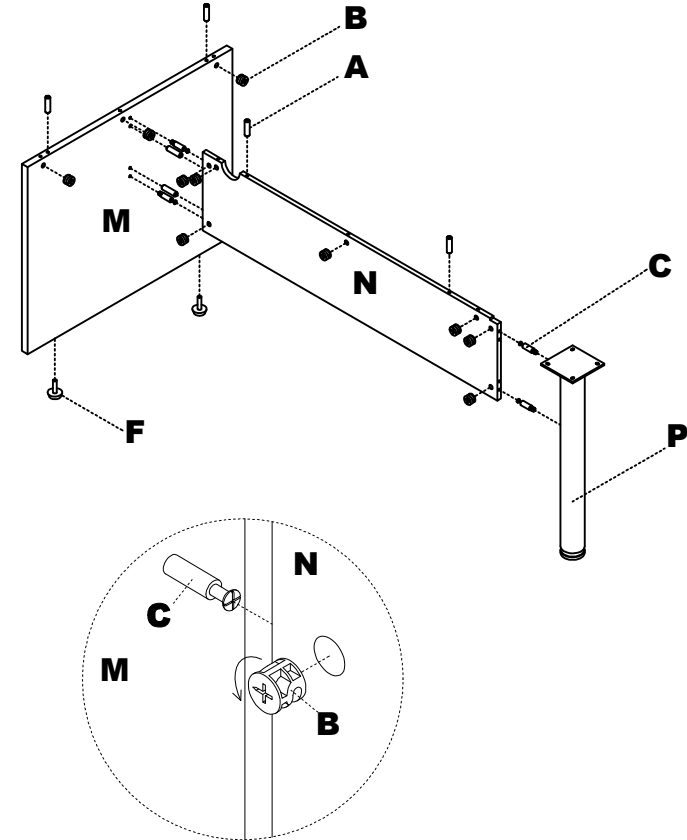
PARTS LIST

Name	Part	Qty.	Name	Part	Qty.
L	 BTPT7236L** Top	1	N	 BTPT7236N** Modesty Panel	1
M	 BTPT7236M** End Panel	1	P	 BTPT7236P** Leg	1

**Denotes Color Code

2

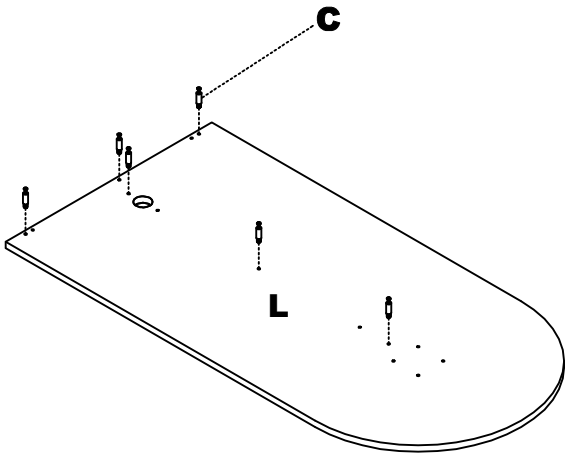
- 1** Install Cam Posts (C) into End Panel (M) and Leg (P). Insert Wood Dowels (A) into End Panel (M) and Modesty Panel (N). Install Levelers (F) into bottom of End Panel (M). Fasten End Panel (M), Modesty Panel (N) and Leg (P) together by turning Cams (B).



NOTE: The arrow on the face of the Cam (B) should point towards the Cam Post (C) for proper alignment.

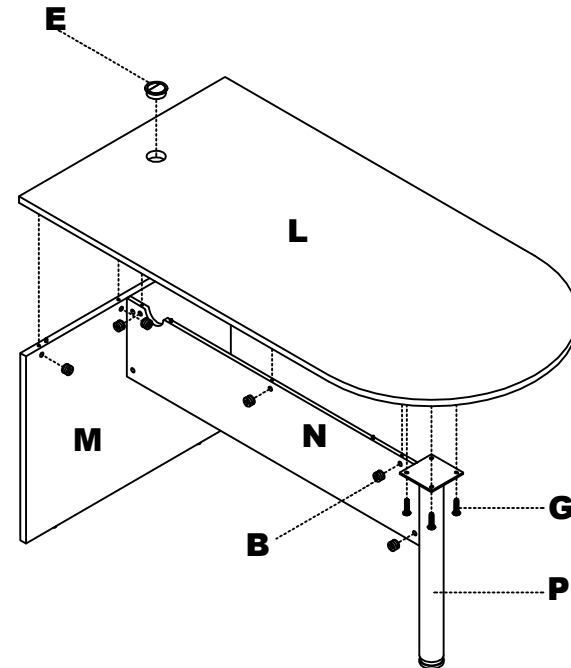
3

- 2** Install Cam Posts (C) into underside of Top (L).



4

- 3** Place Top (L) onto base assembly and lock in place by turning Cams (B). Fasten leg assembly to Top (L) using Screws (G). Apply Cam Stickers (D) onto Cams (B) and insert Grommet (E) into Top (L).



5