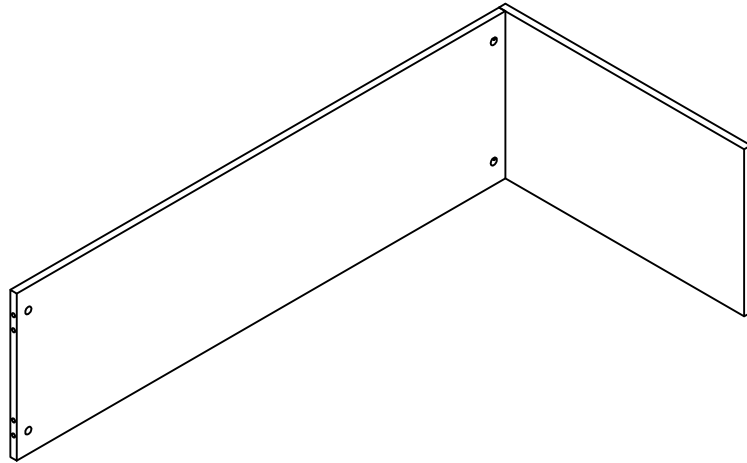
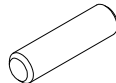

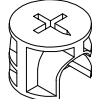

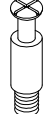



**Brighton Series™**  
**Reception Screen**  
**Model No. BTRRS**



**ASSEMBLY INSTRUCTIONS**  
**CALL 1-800-822-8037 FOR ASSISTANCE**

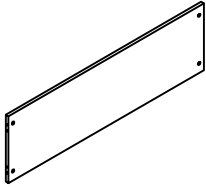
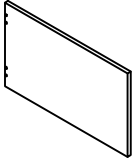
# PARTS LIST

Name	Part	Qty.	Spare Qty	Name	Part	Qty.	Spare Qty
<b>A</b>	 <b>REALS004</b> Wood Dowel	4	1	<b>D</b>	 <b>REALBY005**</b> Cam Sticker	4	1
<b>B</b>	 <b>REALS001</b> Cam	4	1	<b>E</b>	 <b>REALBY020</b> Double Face Tape	2	
<b>C</b>	 <b>REALS002</b> Cam Post	4	1		 <b>BTRRSHB</b>		

Items with HB are in hardware box.

\*\*Denotes Color Code

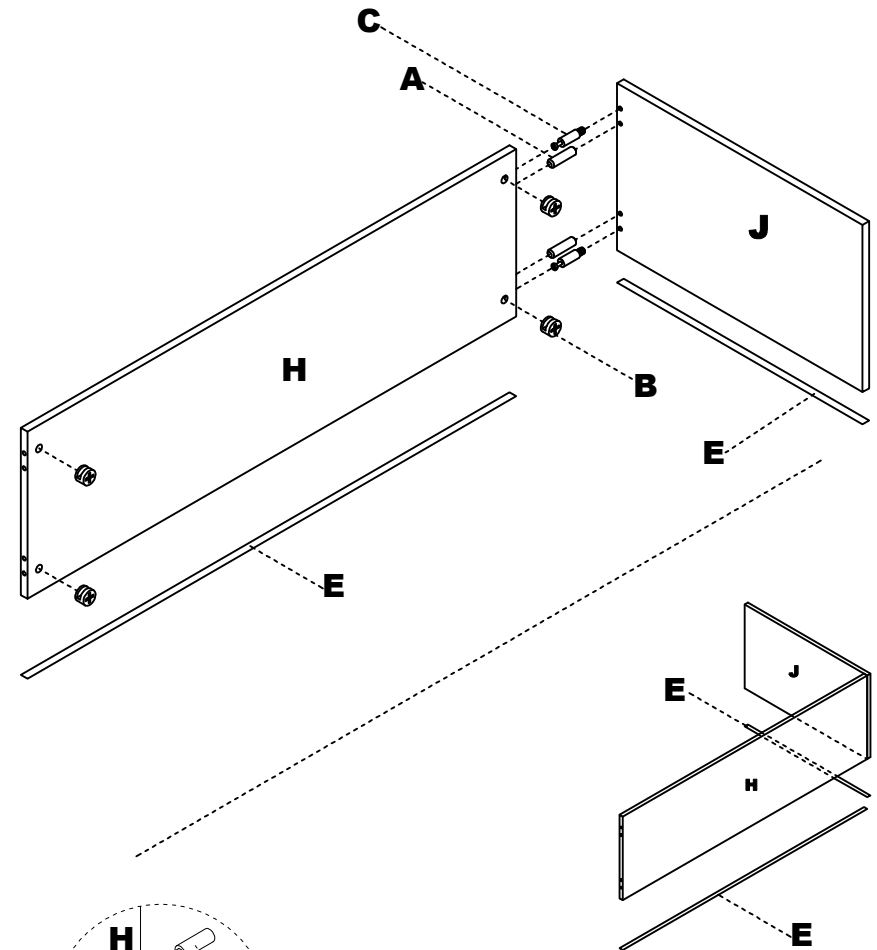
# PARTS LIST

Name	Part	Qty.	Name	Part	Qty.
<b>H</b>		<b>1</b>	<b>J</b>		<b>1</b>
	<b>BTRRSH**</b> Side Panel			<b>BTRRSJ**</b> End Panel	

\*\*Denotes Color Code

**2**

- 1** Insert Wood Dowels (A) and Cams (B) into desired end of Side Panel (H). Install Cam Posts (C) into threaded inserts in the End Panel (J). Attach Side Panel (H) to End Panel (J) by turning Cams (B). Adhere the Double Face Tape (E) to the bottom of the Side Panel (H) and End Panel (J).



NOTE: The arrow on the face of the Cam (B) should point towards the Cam Post (C) for proper alignment.

**3**

- 2** Insert Wood Dowels (A) and Cams (B) into Side Panel (H). Install Cam Posts (C) into threaded inserts in the desired side of the BTRDTC End Panel. Attach Side Panel (H) to BTRDTC End Panel by turning Cams (B). Adhere Cam Stickers (D) to the exposed Cams (B). Attach to worksurface by removing backing of Double Face Tape (E) on underside of panels and adhering to the worksurface.

