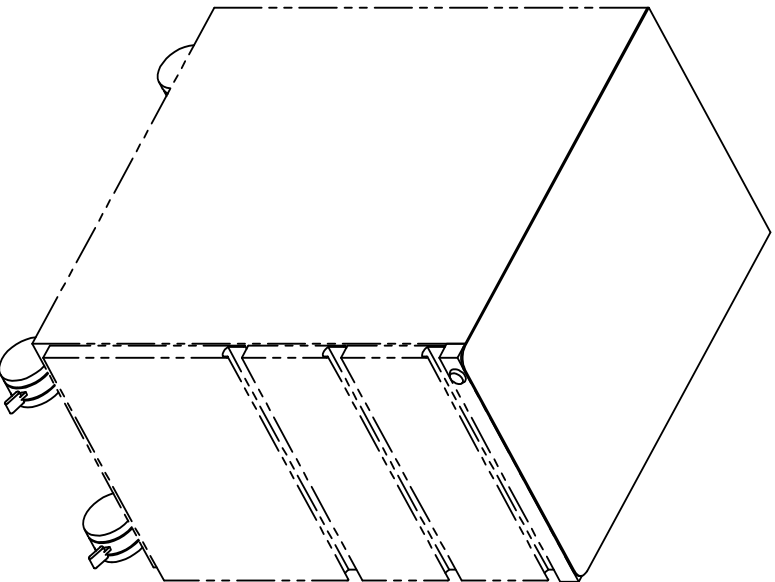


Pedestal Mobile Kit





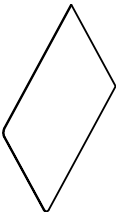
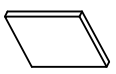
Model No. C8817M, C8824M, C8830M



ASSEMBLY INSTRUCTIONS

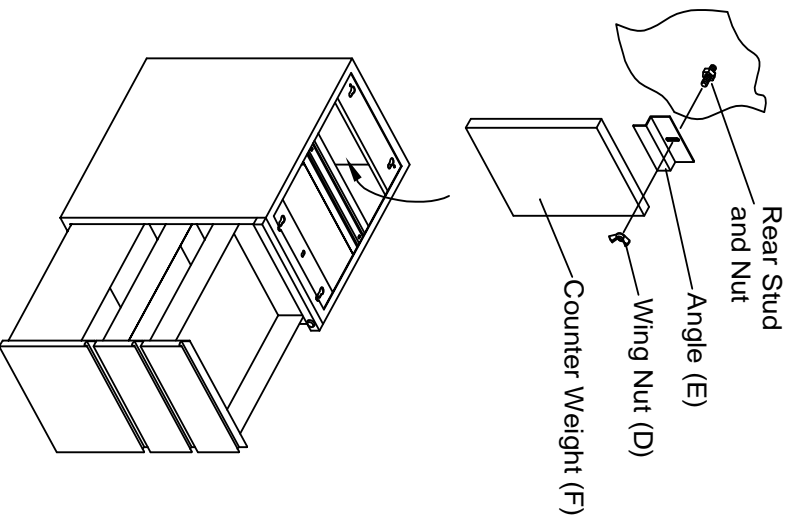
CALL 1-800-822-8037 FOR ASSISTANCE

Hardware Bag

Name	Part	Qty	Name	Part	Qty
A	 700283H Non-Locking Caster	2	D	 Wing Nut	2
B	 700282H Locking Caster	2	E	 Angle	1
C	 Steel Top	1	F	 Counterweight	1

1. Pull all drawers out to the full extent of their slides. It is not necessary to completely remove the drawers.
2. Position counterweight (F) as shown and lower the counterweight (F) into the cabinet body. Place the lower edge of the counterweight (F) tight to the bottom of the cabinet body.

3. Place the angle (E) over the top edge of the counterweight (F) and pass it over the 3/8" dia. stud on the inner rear wall of the pedestal. Adjust the nut on the rear stud so that it holds the angle (E) squarely on the top edge of the counterweight (F). Secure angle (E) in place with wing nut (D).

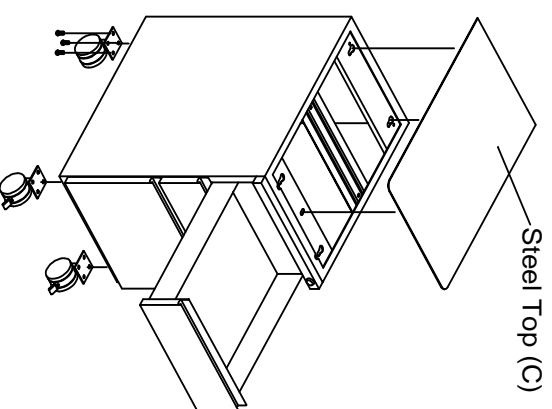


2

4. Place the Pedestal on its side onto a clean/protected surface.
5. Screw casters (A & B) into position, placing the locking casters (B) toward the front of the pedestal. Place one corner of the caster plate under the formed loop. Secure the caster (A or B) in place with three screws.

6. Place the Pedestal upright on its casters.

7. Position the steel top (C) with the rounded corners toward the Pedestal front. Align the studs on the underside of the steel top (C) with the slots in the Pedestal top rails. Tap the steel top (C) into position from the back of the Pedestal using a Rubber Mallet. Secure the steel top (C) in place by tightening a wing nut (D) onto the threaded stud.



3