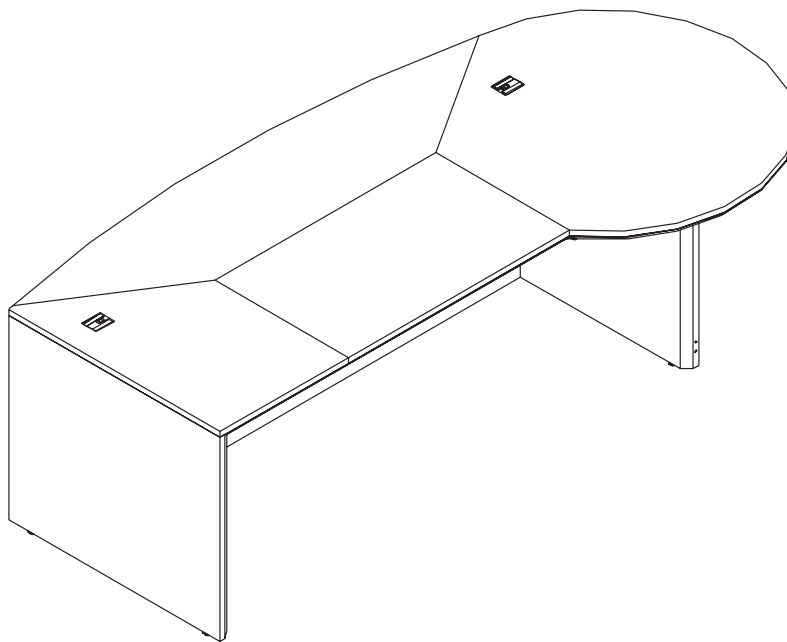







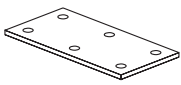


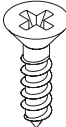
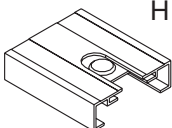

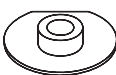
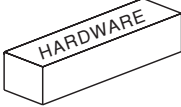
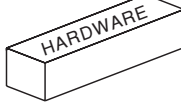
# Corsica 95" P-Shaped Desk, Right Hand Model No.s CDPRT/CDPER/CDRBR



**ASSEMBLY INSTRUCTIONS**  
**CALL 1-800-822-8037 FOR ASSISTANCE**

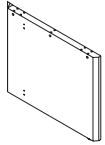
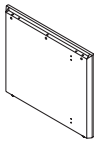
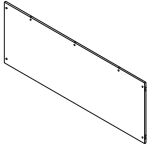
# PARTS LIST

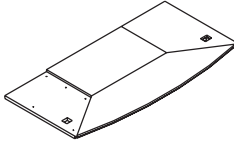
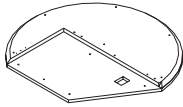
Name	Part	Qty.	Spare Qty
<b>A*</b>	 HB-d/e REALS004 Wood Dowel	<b>10</b>	<b>1</b>
<b>B*</b>	 HB-d/e REALS003 Cam Post	<b>16</b>	<b>2</b>
<b>C*</b>	 HB-d REALS001 Cam Fastener	<b>16</b>	<b>2</b>
<b>D*</b>	 HB-d REALS002 Cam Cap	<b>7</b>	<b>1</b>
<b>E*</b>	 HB-d REALS006 Cap	<b>9</b>	<b>2</b>
<b>F</b>	 HB-e REALS007 Plate	<b>1</b>	

Name	Part	Qty.	Spare Qty
<b>G*</b>	 HB-e REALS005 4mm x 16mm	<b>6</b>	<b>1</b>
<b>H*</b>	 HB-d REALS020 Desk Grommet	<b>2</b>	
<b>J</b>	 HB-e REALS019 6mm x 40mm	<b>5</b>	<b>1</b>
<b>K</b>	 HB-d REALS153 Cap	<b>2</b>	
	 CDPTHB		
	 CDPEHB		

Items with HB-d are in the hardware box for the desk  
 Items with HB-e are in the hardware box for the extension  
 \*For Individual Items, Order By Part Number.  
 \*\* Denotes Color Code

# PARTS LIST

Name	Part	Qty.	Spare Qty
<b>M</b> *	 CDPBR** Right Leg	1	
<b>N</b> *	 CDPBR** Left Leg	1	
<b>O</b> *	 CDPRTO** Modesty Panel	1	


Name	Part	Qty.
<b>P</b> *	 CTPRT** Top	1
<b>Q</b> *	 CDPER** Extension - Right	1

\*For Individual Items, Order By Part Number.

\*\* Denotes Color Code

---

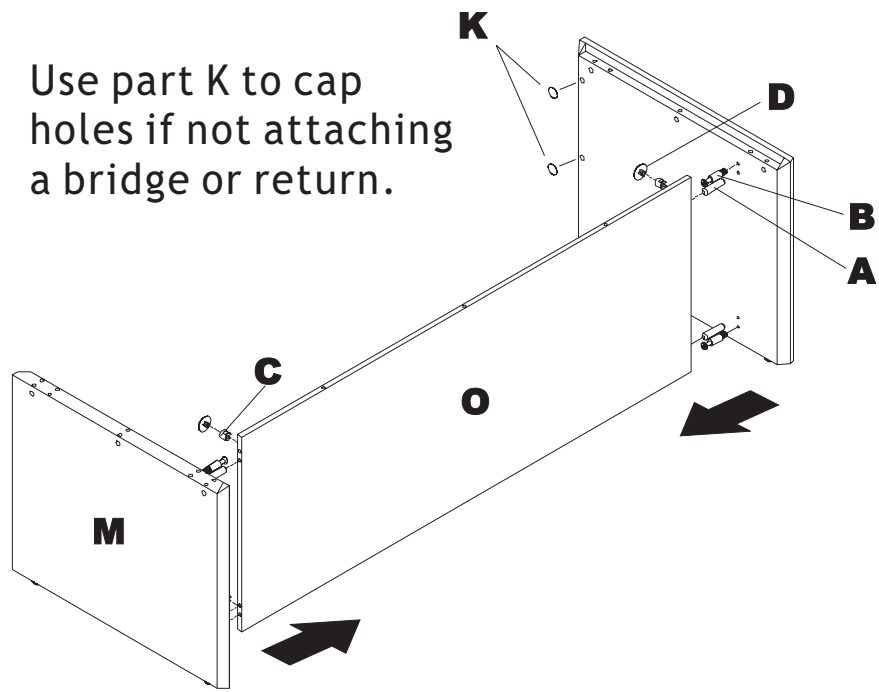
## Pre-Assembled Replacement Part List

Replacement #	Part	Qty.
<b>REALS067</b> *	 Leveler w/ Insert	4

\*For Individual Items, Order By Part Number.

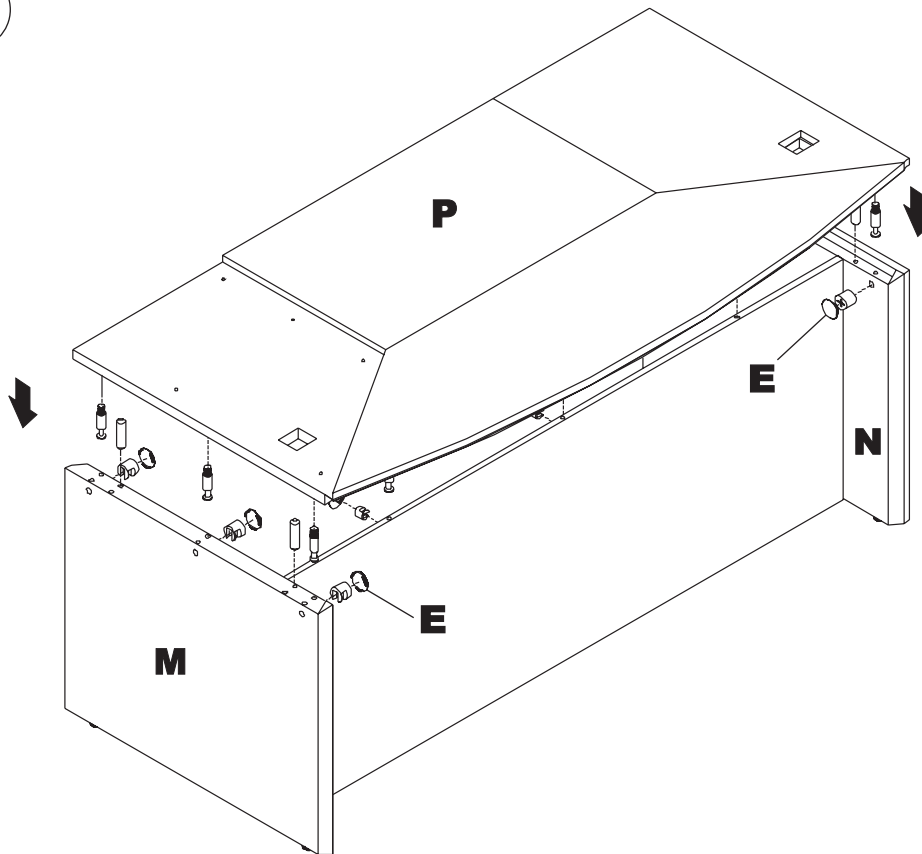
1

Use part K to cap holes if not attaching a bridge or return.



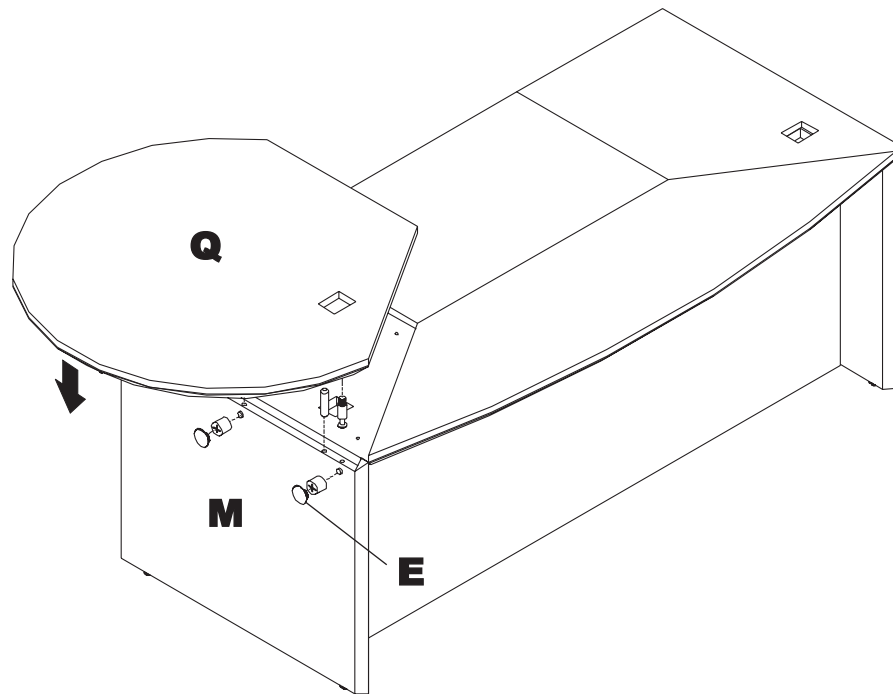
Note: For Step 1, dowels (A) are to be inserted into modesty panel (O) and NOT in side panels (M/N).

2



Note: For Step 2, dowels (A) are to be inserted into top of end panels (M/N) and NOT in top (P).

3



Note: For Step 3, dowels (A) are to be inserted into top of end panels (M/N) and NOT in extension (Q).

4

