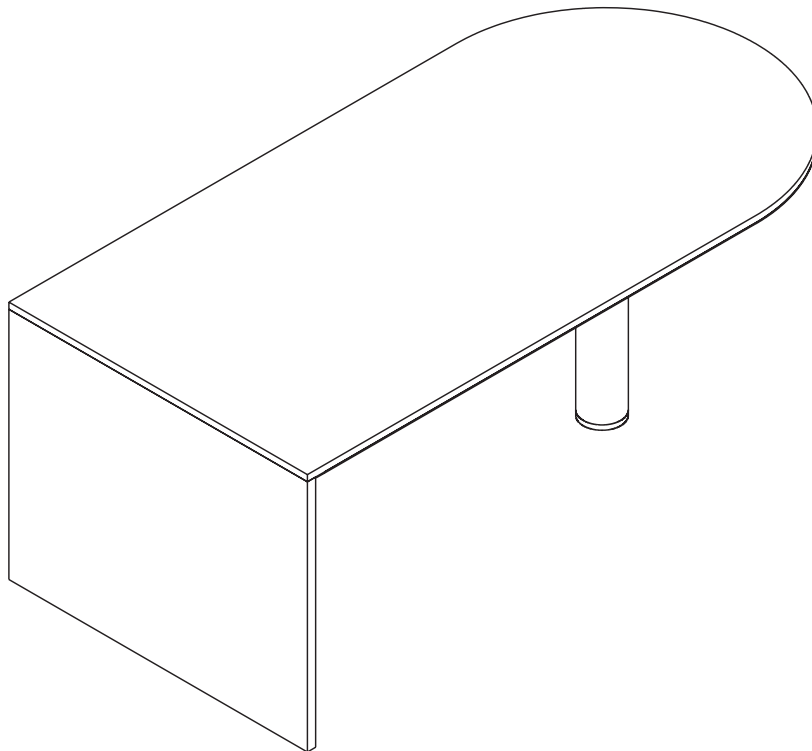




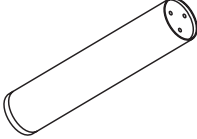
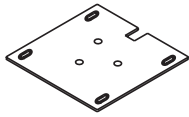

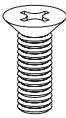

Tiffany Industries™
A MAYLINE GROUP COMPANY

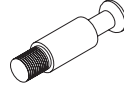


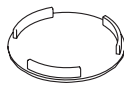

Corsica Peninsula Return w/ Leg Model No. CPR



ASSEMBLY INSTRUCTIONS
CALL 1-800-822-8037 FOR ASSISTANCE

PARTS LIST

Name	Part	Qty.	Spare Qty.
A	 REALS075 Leg	1	
B	 REALS078 Leg Mounting Plate	1	
C*	 HB REALS043 6mm x 15mm	4	1
D	 HB REALS074 6mm x 25mm	3	
E*	 HB REALS004 Wood Dowel	2	1

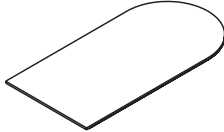
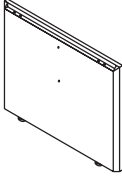
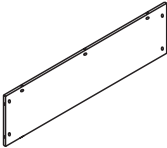
Name	Part	Qty.	Spare Qty.
F*	 HB REALS003 Cam Post	9	2
G*	 HB REALS001 Cam Fastener	9	2
H*	 HB REALS002 Cam Cap	7	1
I*	 HB REALS006 Cap	2	1
	 CPRHB		

Items with HB are in the hardware box.


*For Individual Items, Order By Part Number.

** Denotes Color Code

PARTS LIST

Name	Part	Qty.	Name	Part	Qty.
J*	 CPRT** Top	1	L	 Leg	1
K	 Modesty Panel	1			

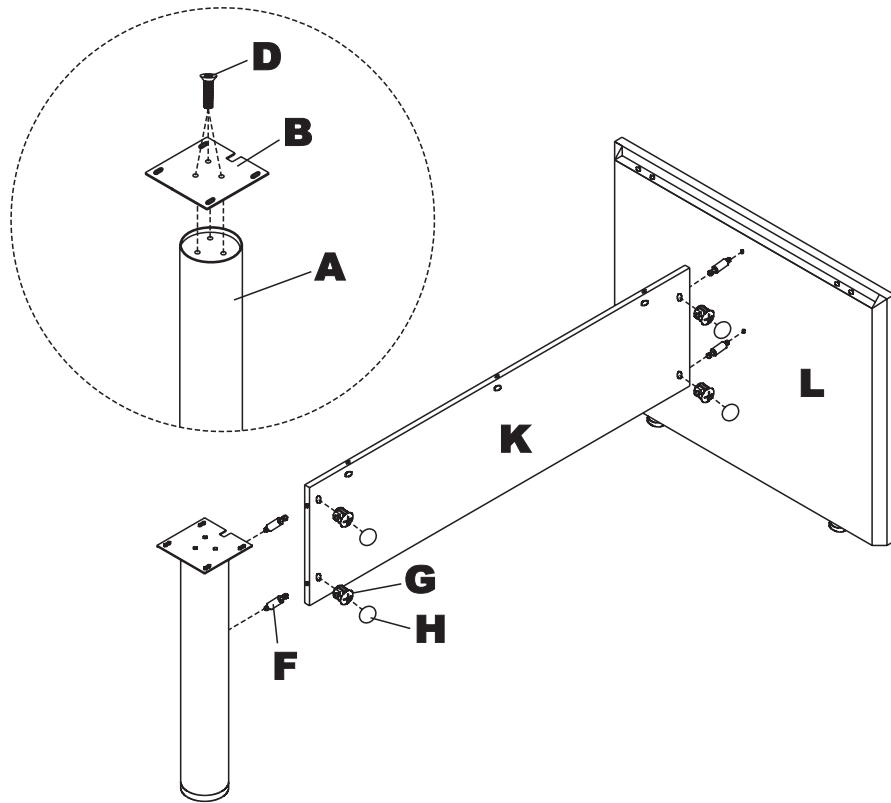
Pre-Assembled Replacement Part List

Replacement #	Part	Qty.
REALS067*	 Leveler w/ Insert	2

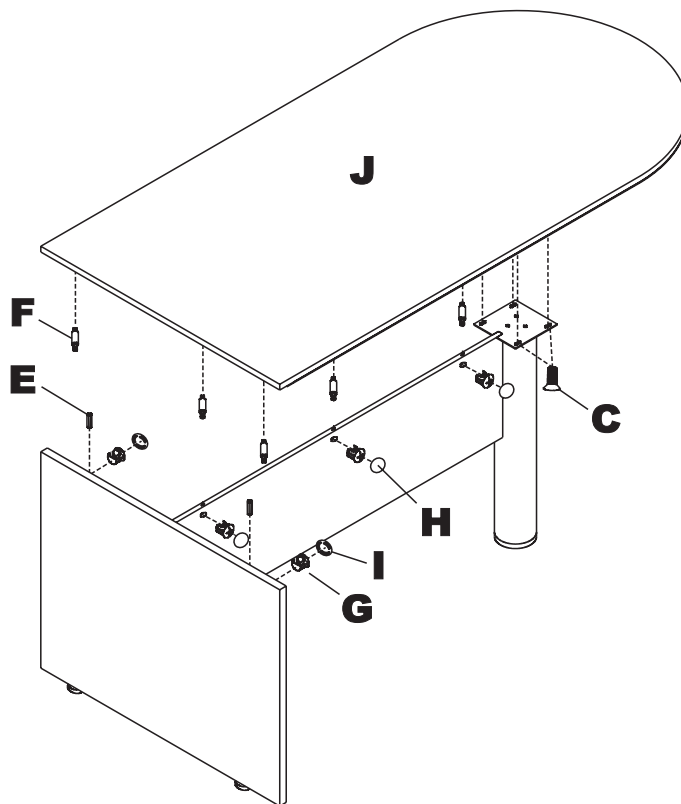
*For Individual Items, Order By Part Number.

** Denotes Color Code

1

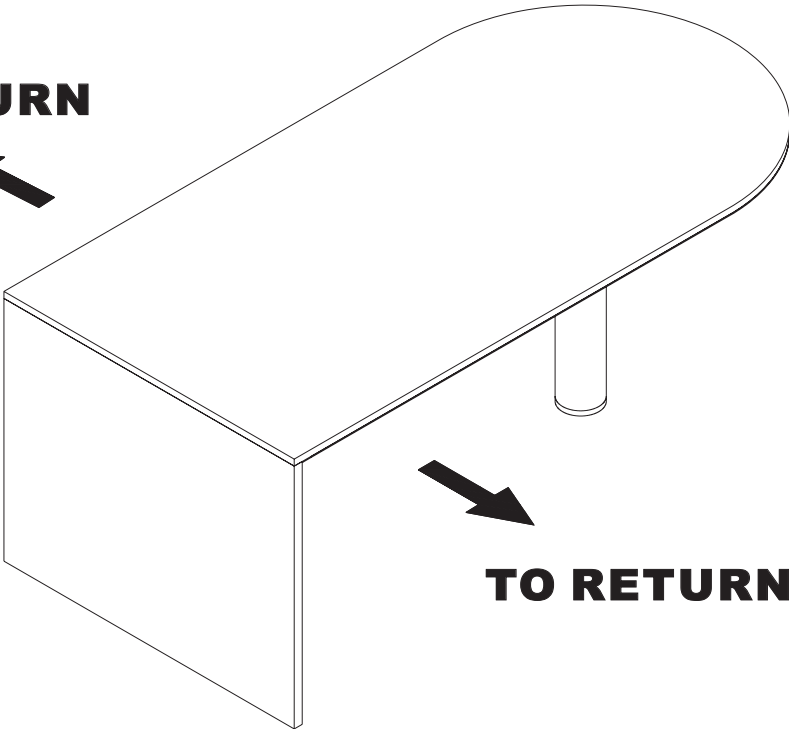


2



3

TO RETURN



TO RETURN