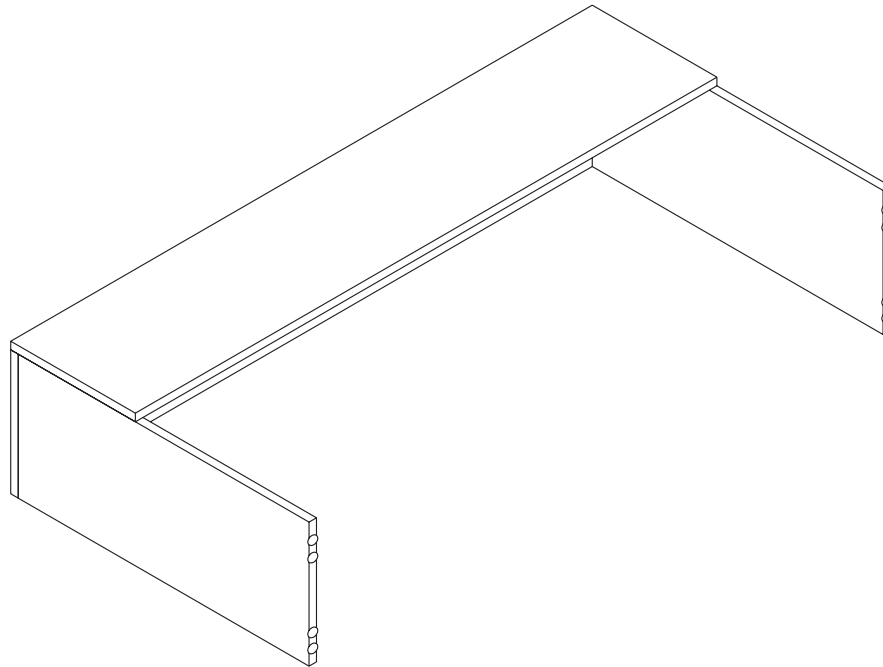







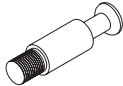


Tiffany Industries™  
A MAYLINE GROUP COMPANY


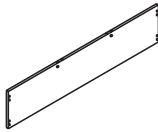

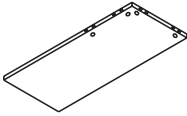
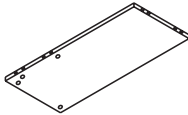
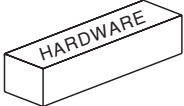
# Corsica Reception Counter Top Screen Model No. CRC72



**ASSEMBLY INSTRUCTIONS**  
**CALL 1-800-822-8037 FOR ASSISTANCE**

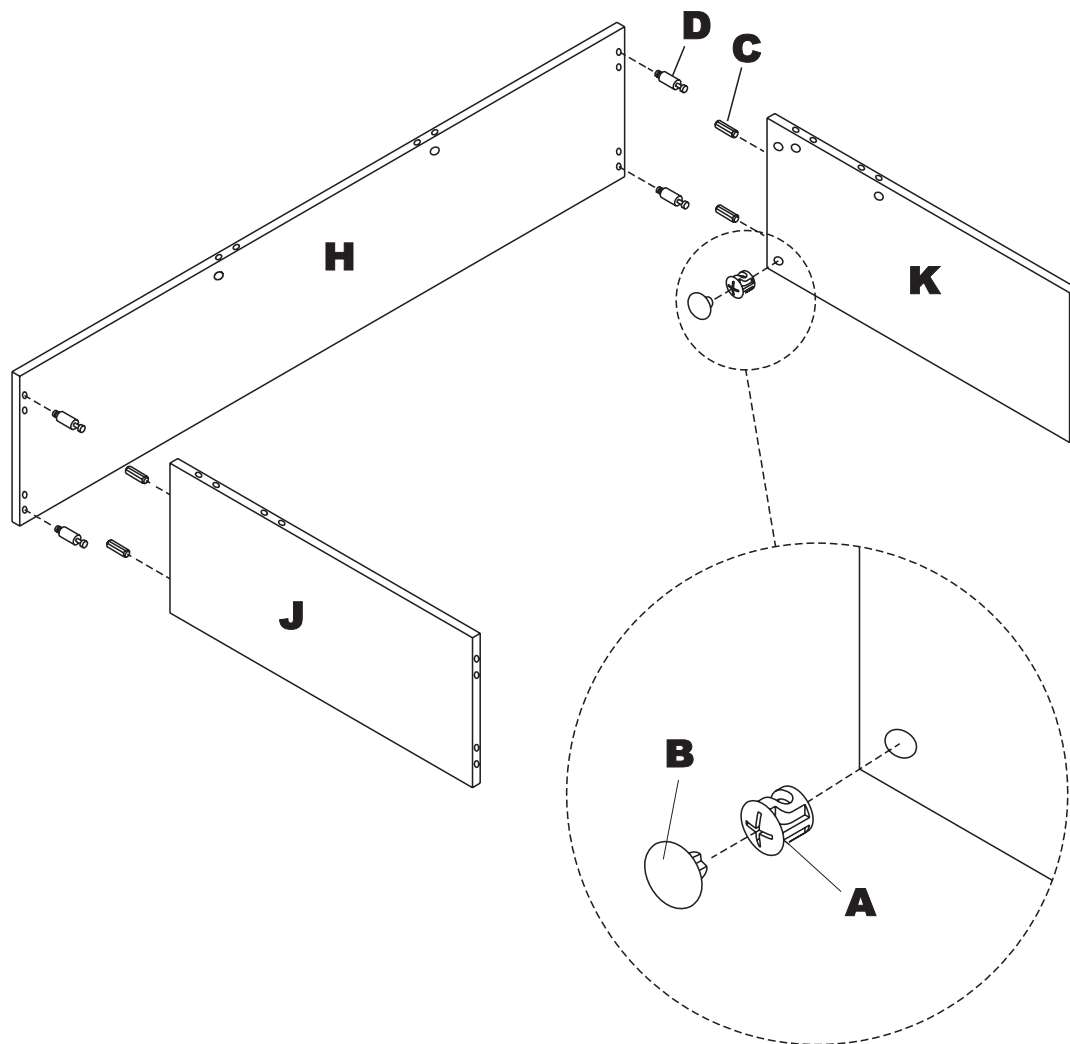
# PARTS LIST

Name	Part	Qty.	Spare Qty
<b>A*</b>	 HB REALS001 Cam Fastener	<b>10</b>	<b>1</b>
<b>B*</b>	 HB REALS002 Cam Cap	<b>10</b>	<b>1</b>
<b>C*</b>	 HB REALS004 Wood Dowel	<b>10</b>	<b>1</b>
<b>D*</b>	 HB REALS003 Cam Post	<b>10</b>	<b>1</b>
<b>E*</b>	 HB REALS021 Cam Post Plug	<b>4</b>	<b>1</b>
<b>F*</b>	 HB REALS022 Dowel Hole Plug	<b>4</b>	<b>1</b>

Name	Part	Qty.
<b>G</b>	 HB REALS080 Double Sided Tape	<b>7</b>
<b>H</b>	 CRC72** Front Panel	<b>1</b>
<b>I</b>	 CRC72** Top	<b>1</b>
<b>J*</b>	 CRCJ** Left Panel	<b>1</b>
<b>K*</b>	 CRCK** Right Panel	<b>1</b>
	 CRCHB	

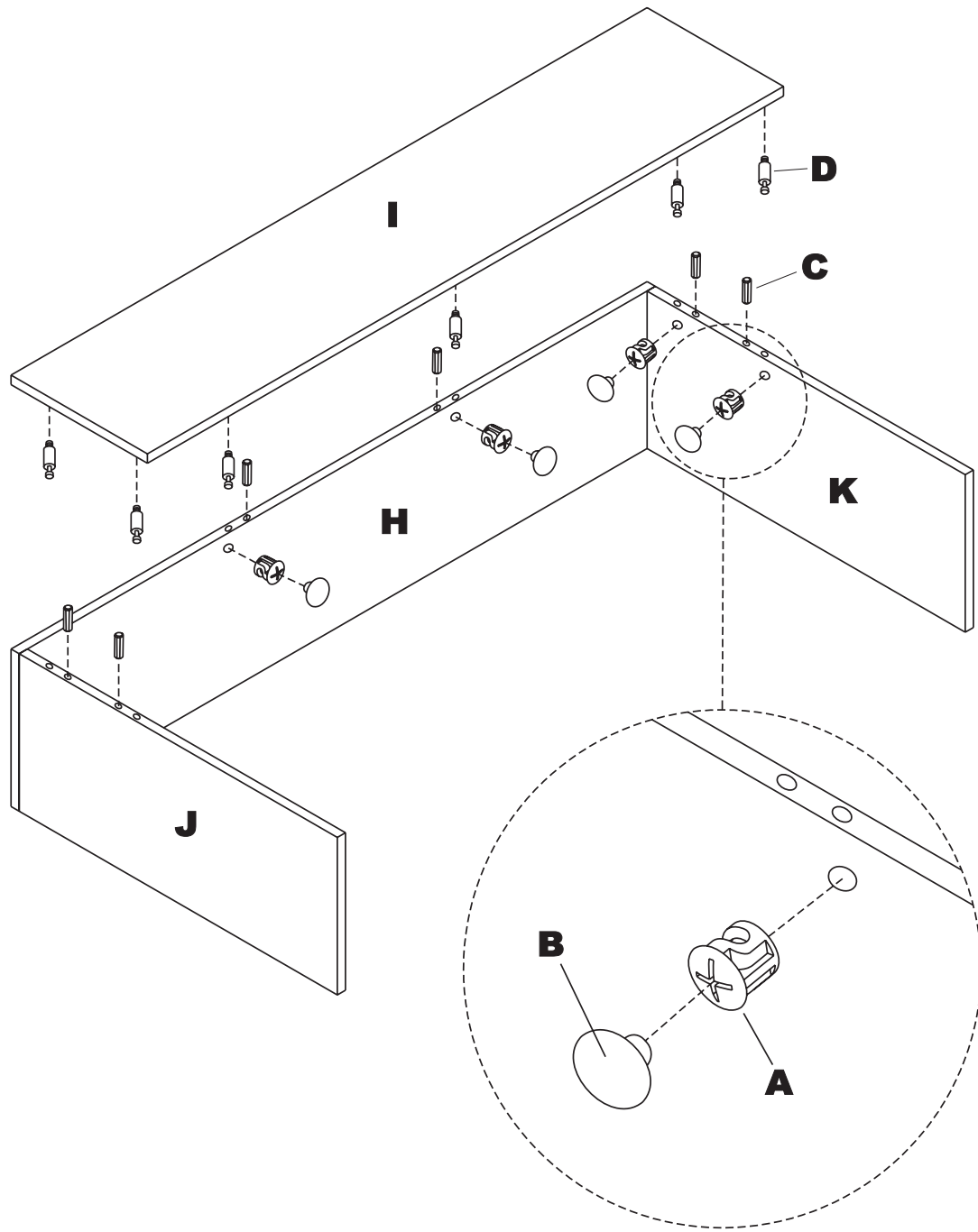
Items with HB are in the hardware box.  
 \*For Individual Items, Order By Part Number.  
 \*\* Denotes Color Code

1



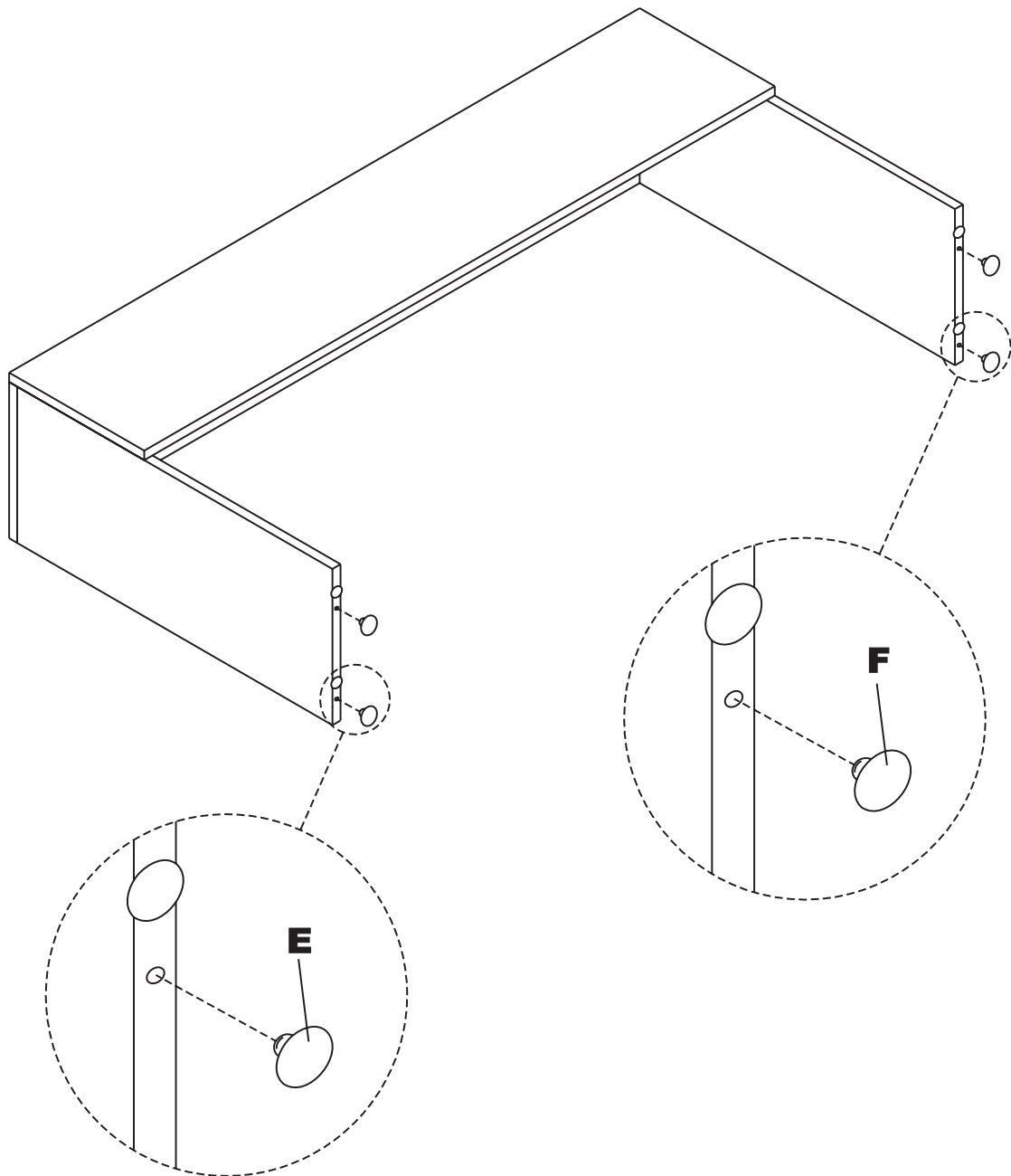
Note: For Step 1, dowels (C) are to be inserted into panels (J/K) and not into panel (H) to prevent damage.

2



Note: For Step 2, dowels (C) are to be inserted into panels (J/K/H) and not into top (I) to prevent damage.

3



4

