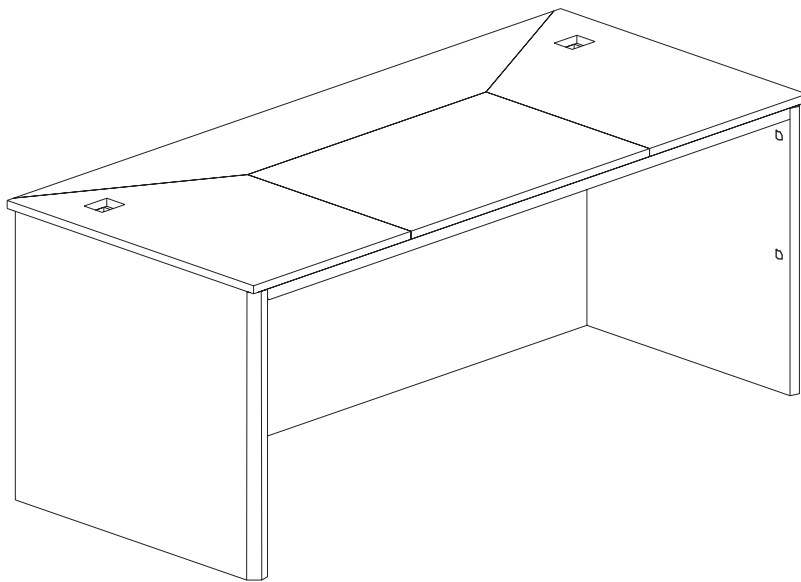







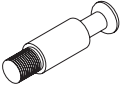
Tiffany Industries™
A MAYLINE GROUP COMPANY


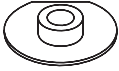
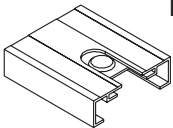

Corsica Desk Top/Base Model No's CRDT66/72, CDB



ASSEMBLY INSTRUCTIONS
CALL 1-800-822-8037 FOR ASSISTANCE

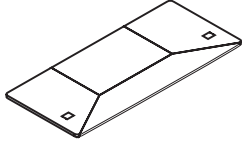
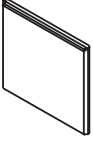
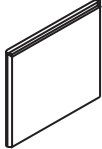
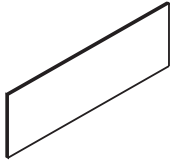
PARTS LIST

Name	Part	Qty.
A*	 HB REALS001 Cam Fastener	13
B*	 HB REALS002 Cam Cap	7
C*	 HB REALS004 Wood Dowel	8
D*	 HB REALS003 Cam Post	13

Name	Part	Qty.
E*	 HB REALS006 Cap	6
F	 HB REALS153 Cap	4
G*	 HB REALS020 Desk Grommet	2
	 CDTHB	

Items with HB are in the hardware box.
 *For Individual Items, Order By Part Number.

PARTS LIST


Name	Part	Qty.	Name	Part	Qty.
I *	 CRDT~~** Top	1	J1 *	 CDB** Right Leg	1
J1 *	 CDB** Left Leg	1	K *	 CDT~~K** Modesty Panel	1

*For Individual Items, Order By Part Number.

** Denotes Color Code

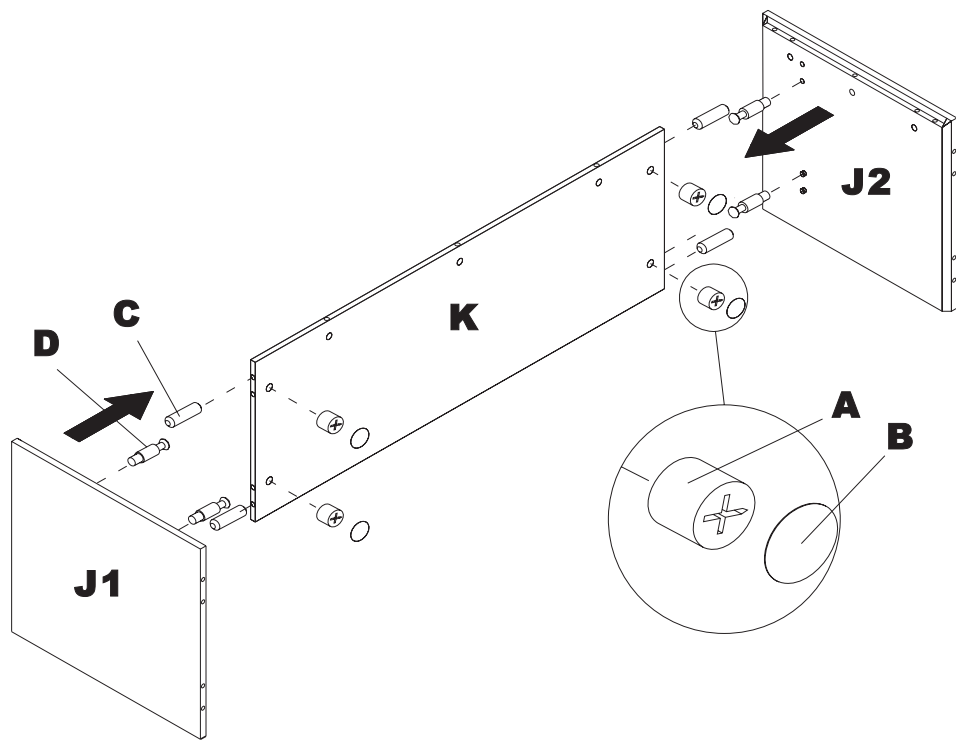
~~ Denotes Size (66, 72)

Pre-Assembled Replacement Part List

Replacement #	Part	Qty.
REALS067 *	 Leveler w/ Insert	4

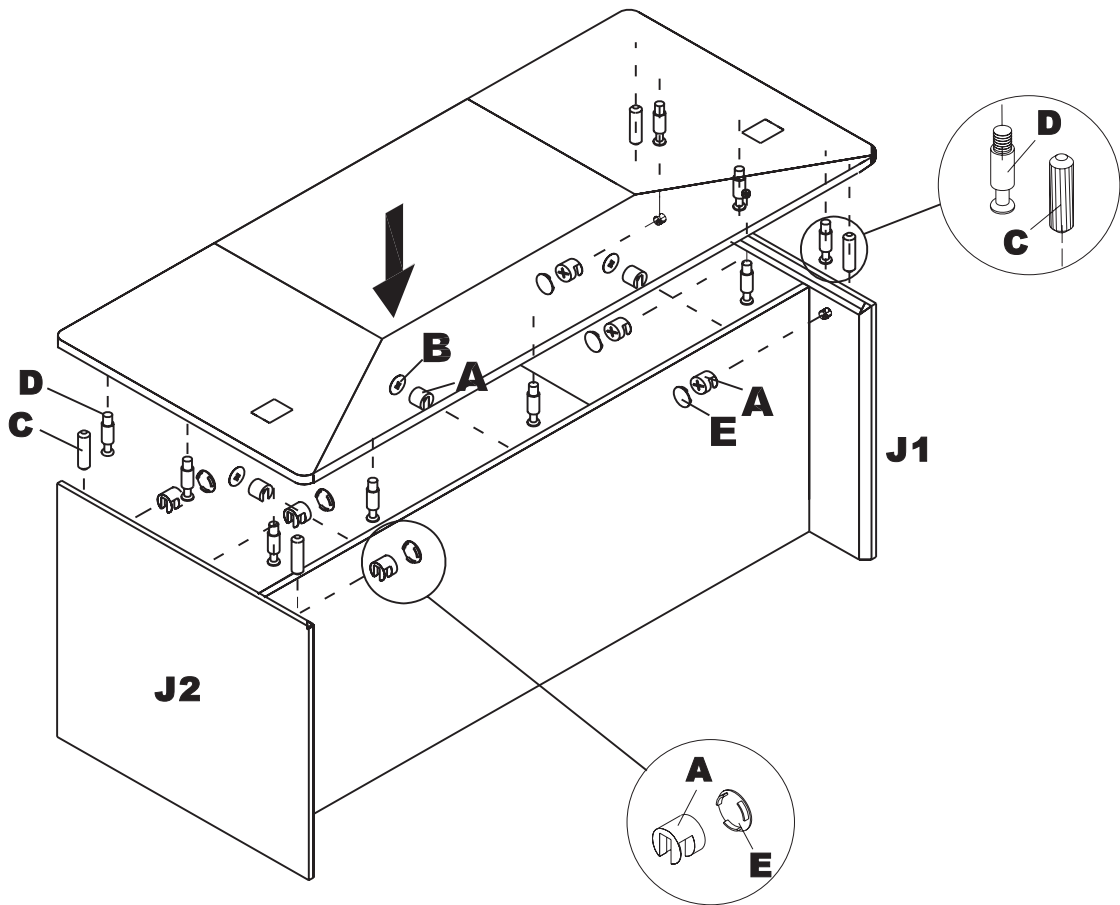
*For Individual Items, Order By Part Number.

1



Note: For Step 1, dowels (C) are to be inserted into modesty panel (K) and NOT in side panels (J1/J2).

2



Note: For Step 2, dowels (C) are to be inserted into top of end panels (J1/J2) and NOT in top (I).

3

3

