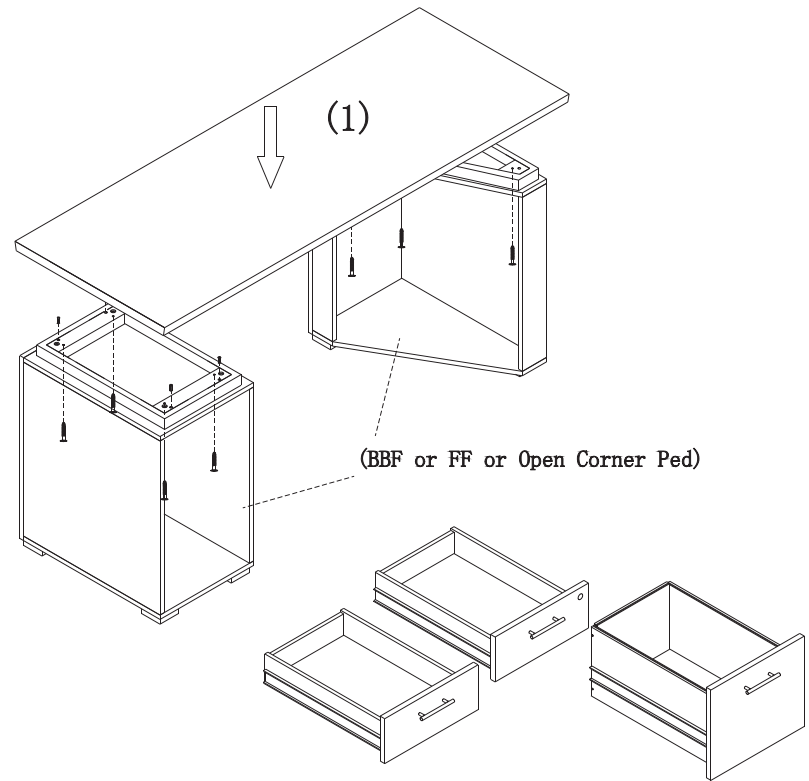
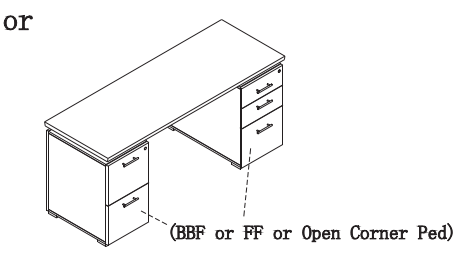
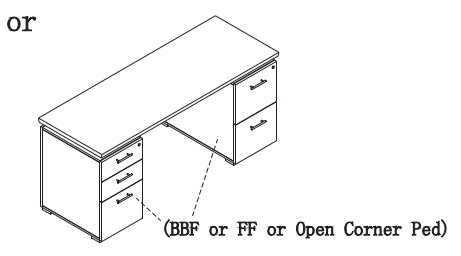
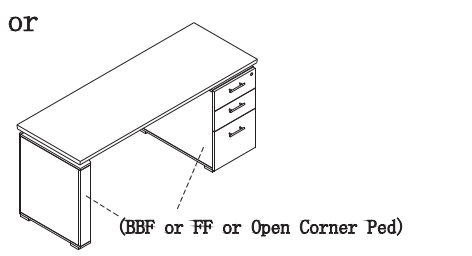
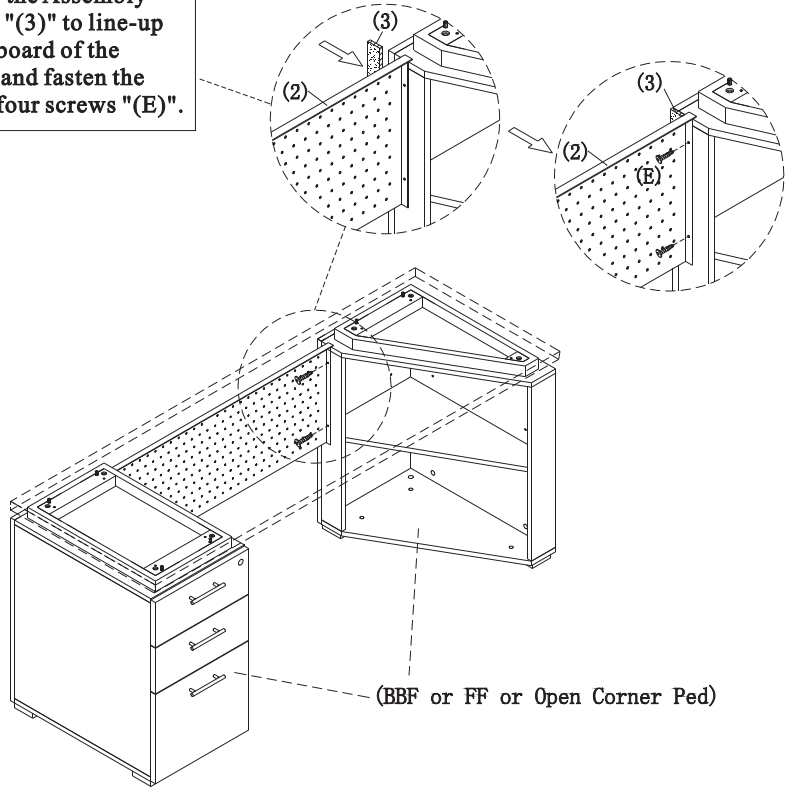


**STEP 1**



**STEP 2**

**Notes:**  
Please put the metal modesty panel "(2)" on the pedestal carefully. Then use the Assembly template "(3)" to line-up the backboard of the pedestal and fasten the "(2)" by four screws "(E)".



NAME: CREDENZA  
TYPE: E-CR2472  
SPECIFICATION: 72"W\*24"D\*29"H

