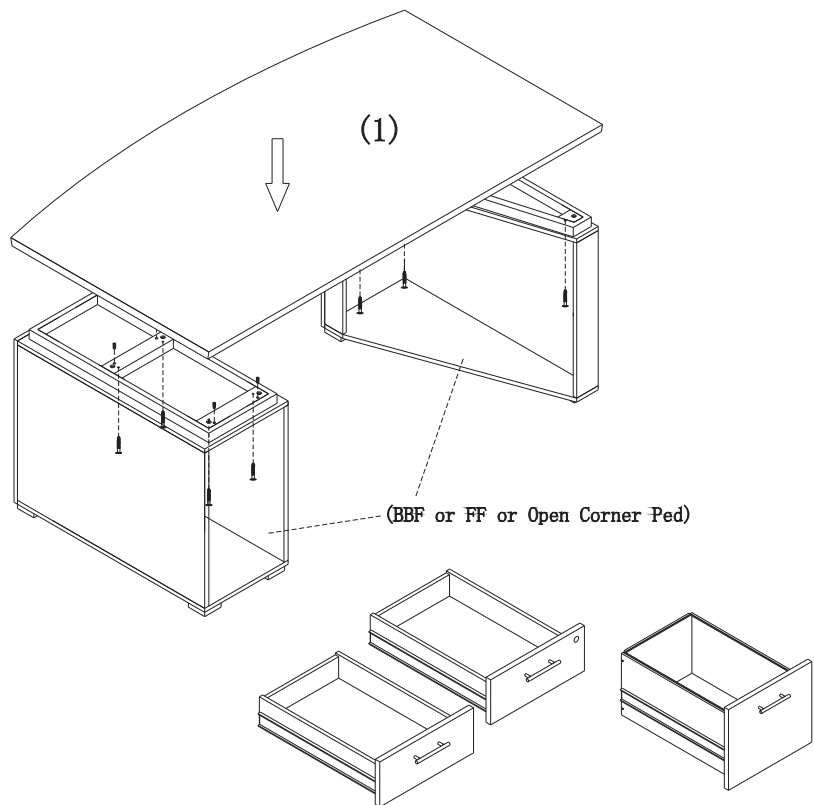


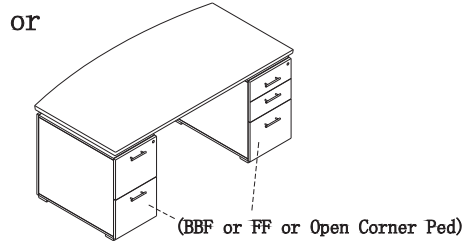
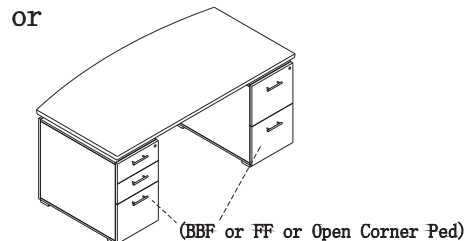
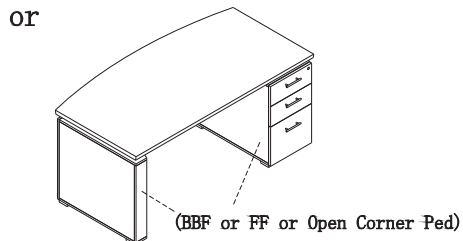
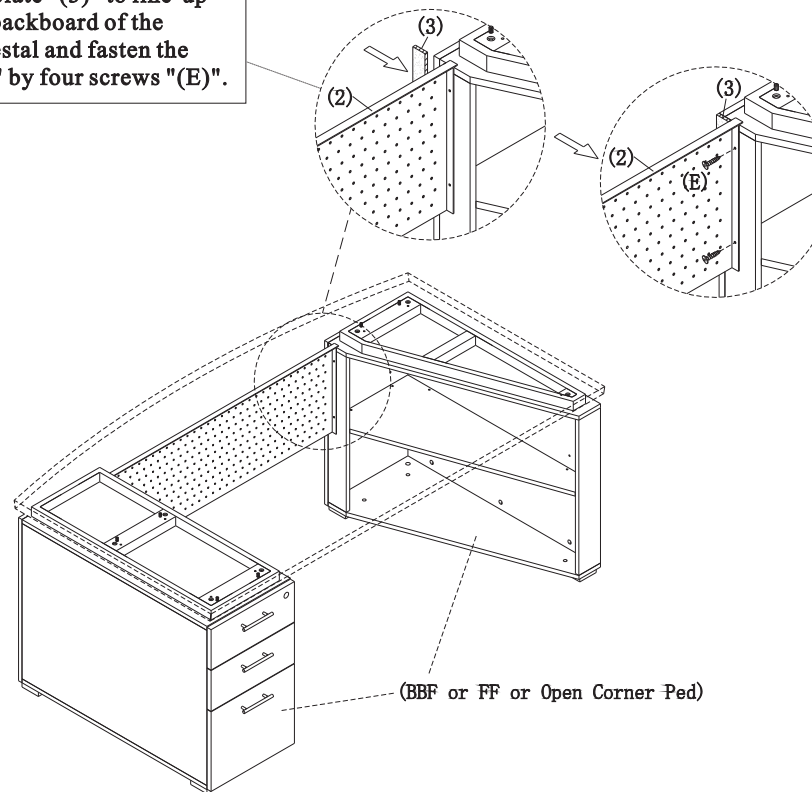
**STEP 1**



**STEP 2**

**Notes:**

Please put the metal modesty panel "(2)" on the pedestal carefully. Then use the Assembly template "(3)" to line-up the backboard of the pedestal and fasten the "(2)" by four screws "(E)".



NAME: DESK  
 TYPE: E-DK3672  
 SPECIFICATION: 72"W\*36"D\*29"H

