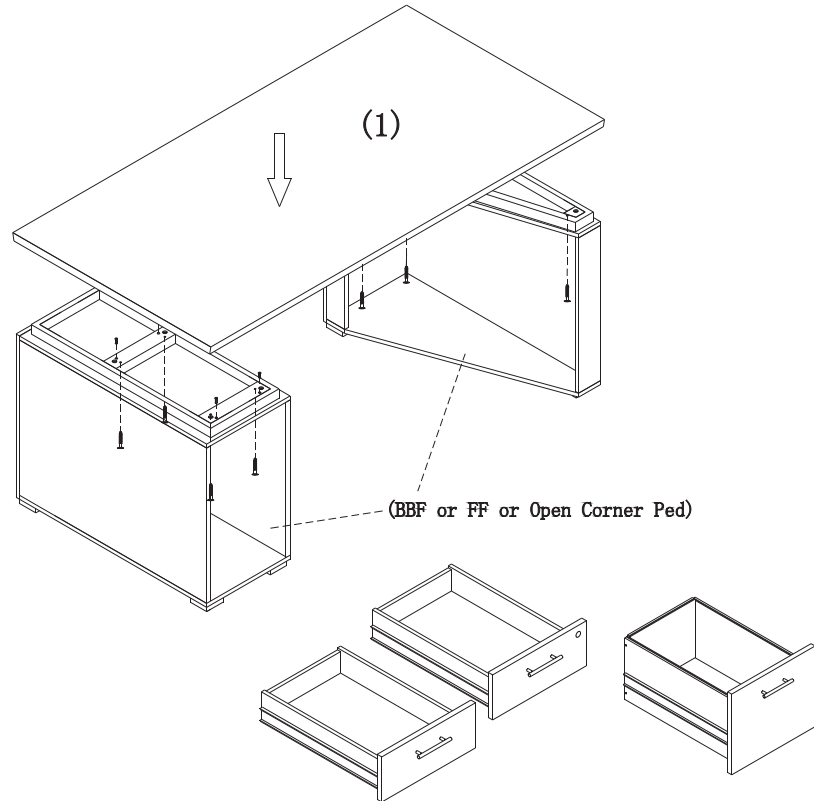


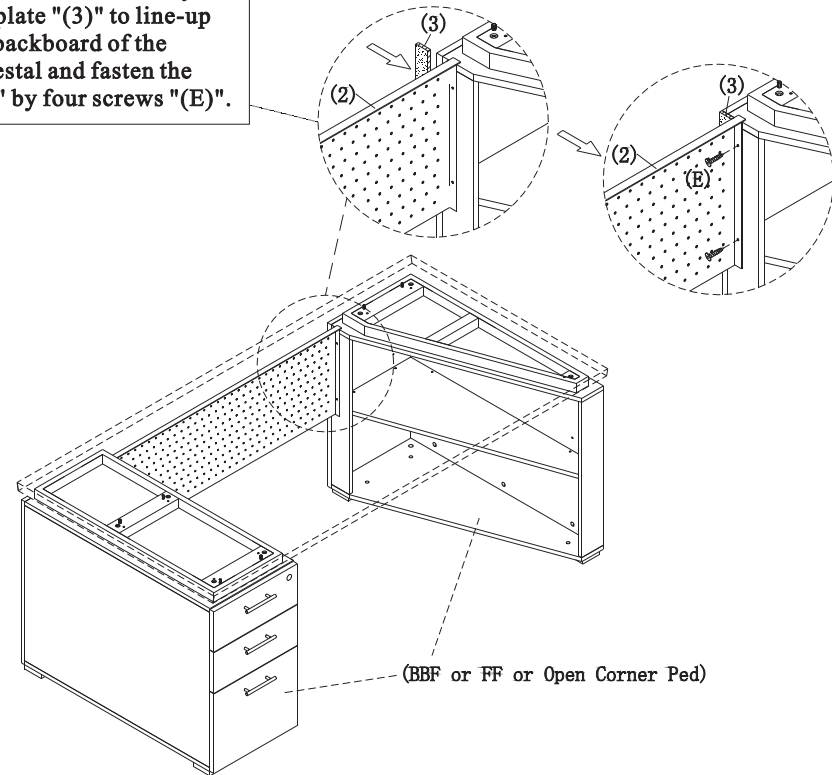
STEP 1



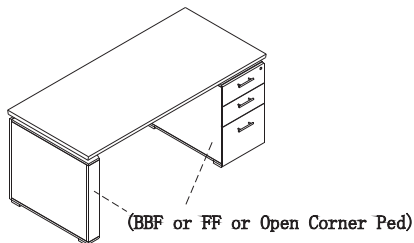
STEP 2

Notes:

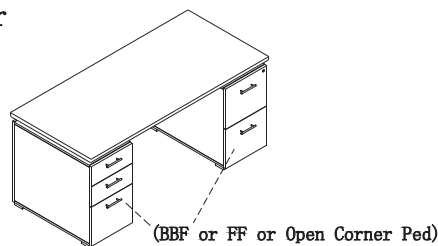
Please put the metal modesty panel "(2)" on the pedestal carefully. Then use the Assembly template "(3)" to line-up the backboard of the pedestal and fasten the "(2)" by four screws "(E)".



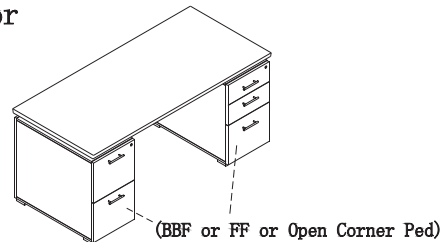
OR



OR



OR



NAME: STRAIGHT FRONT DESK
 TYPE: E-DKS3672
 SPECIFICATION: 72"W*36"D*29"H

