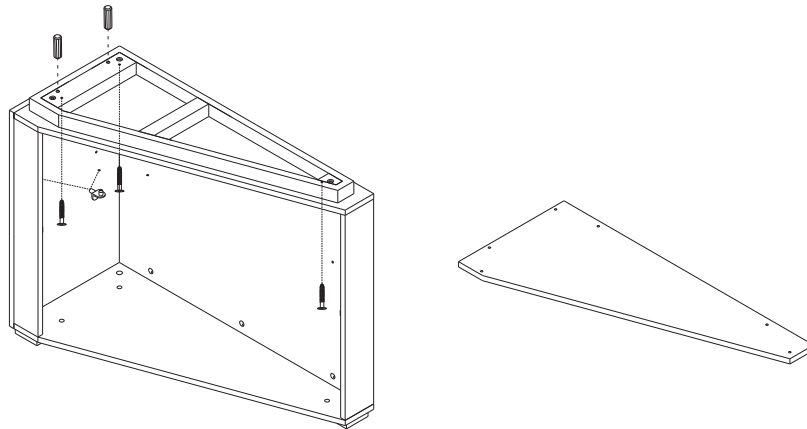


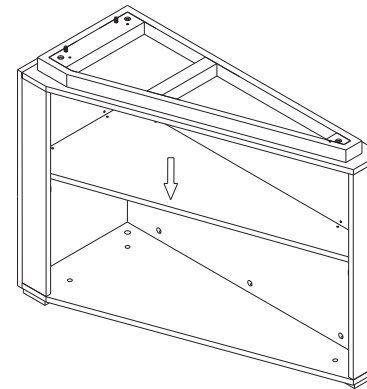
(A1)	(A)	(U) $\varnothing 5 \times 55 \text{mm}$	(U)
3PCS	2PCS+1 (Spare)	3PCS+1 (Spare)	5PCS+1 (Spare)

Pedestal ~~led no ht~~ **RIGHT** and ~~isle~~

STEP 1

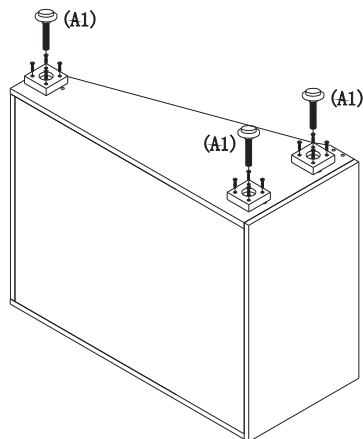


STEP 2

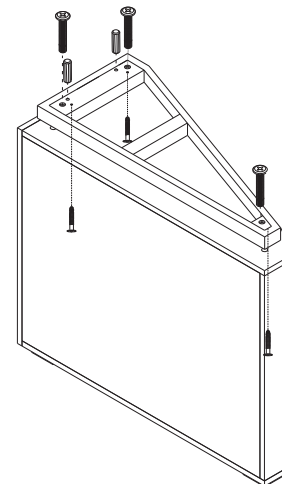


Pedestal ~~led no ht~~ **LEFT** and ~~isle~~

STEP 1



STEP 2



NAME: Open Corner ~~led~~  
 TYPE: E-FP36  
 SPECIFICATION: 15.2W\*36"D\*28.3"H

**AVA**  
 FURNITURE GROUP  
 Luminary Series