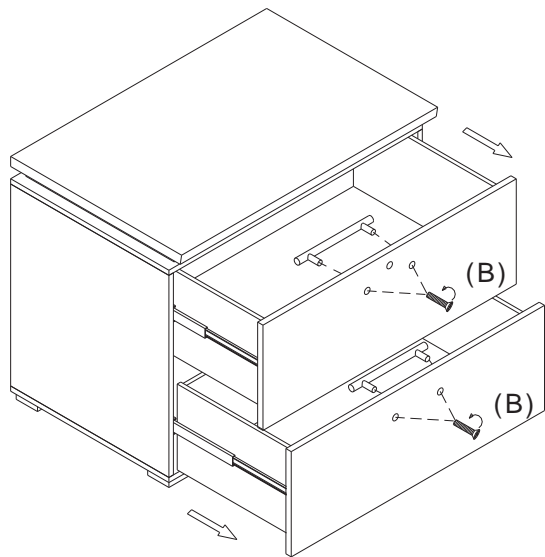
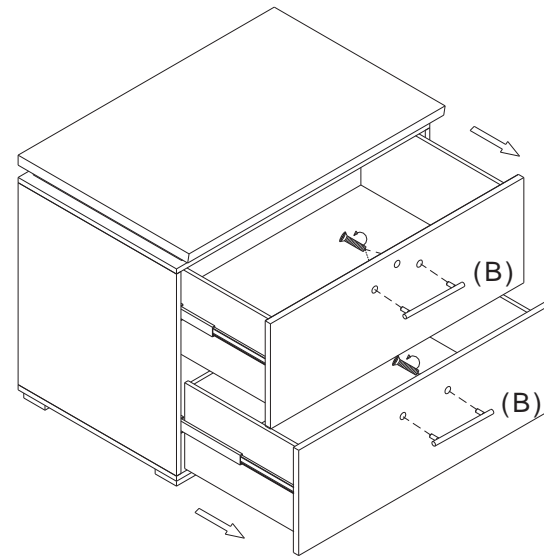


STEP 1



STEP 2



NAME: LATERAL IEE
TYPE: E-LF23624
SPECIFICATION: 31W*24D*29H

AVA
FURNITURE GROUP
Luminary Series