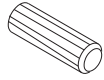


(B) 5\*55mm (A)

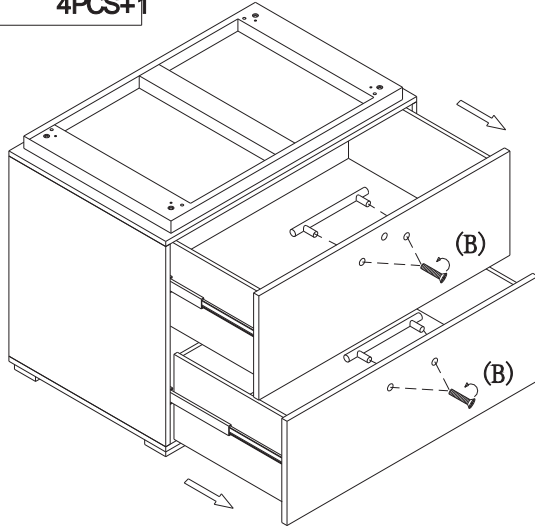


4PCS+1

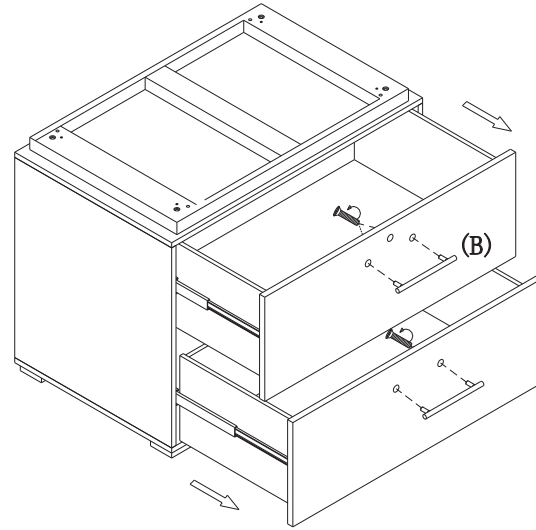


4PCS+1

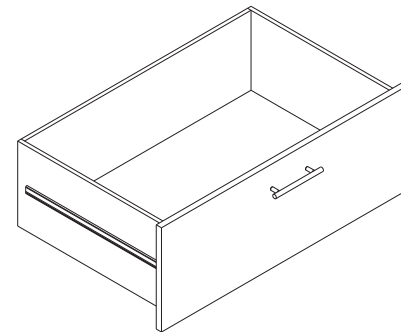
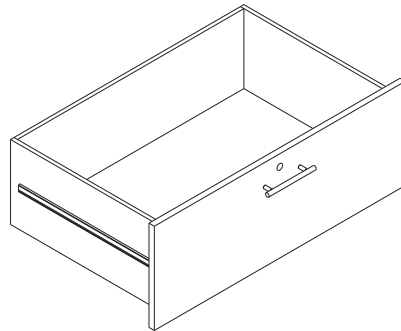
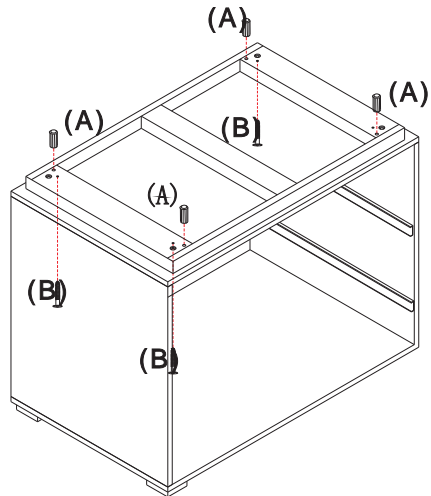
STEP 1



STEP 2



STEP 3



NAME: LATERAL IEE  
TYPE: E-LFU23624  
SPECIFICATION: 36 \*W\*2 4\*D\*28 .3H

**AVA**  
FURNITURE GROUP  
Luminary Series