

Tiffany Industries™

A MAYLINE GROUP COMPANY

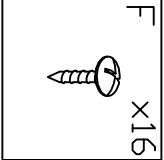
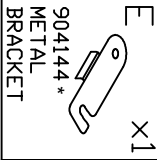
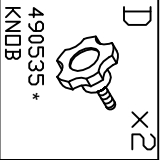
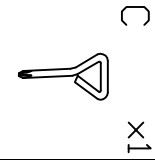
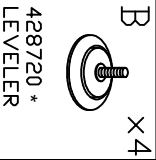
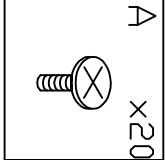
619 N. Commerce, P.O. Box 728
Sheboygan, WI 53082-0728

On Line: www.mayline.com

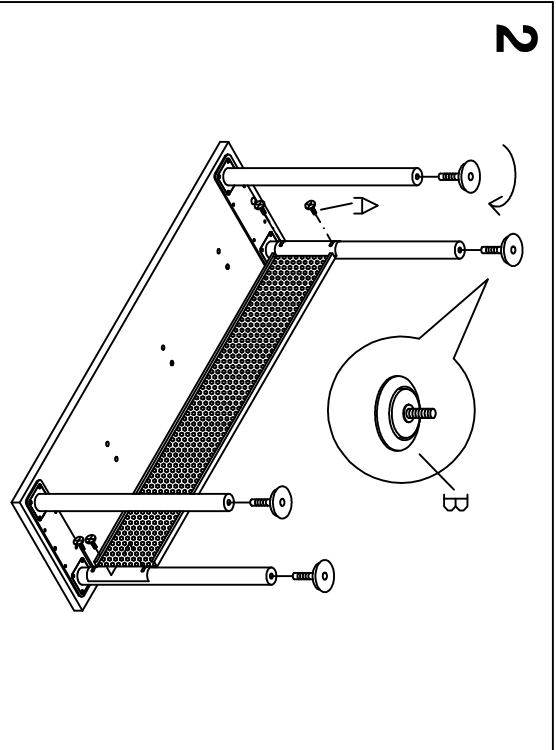
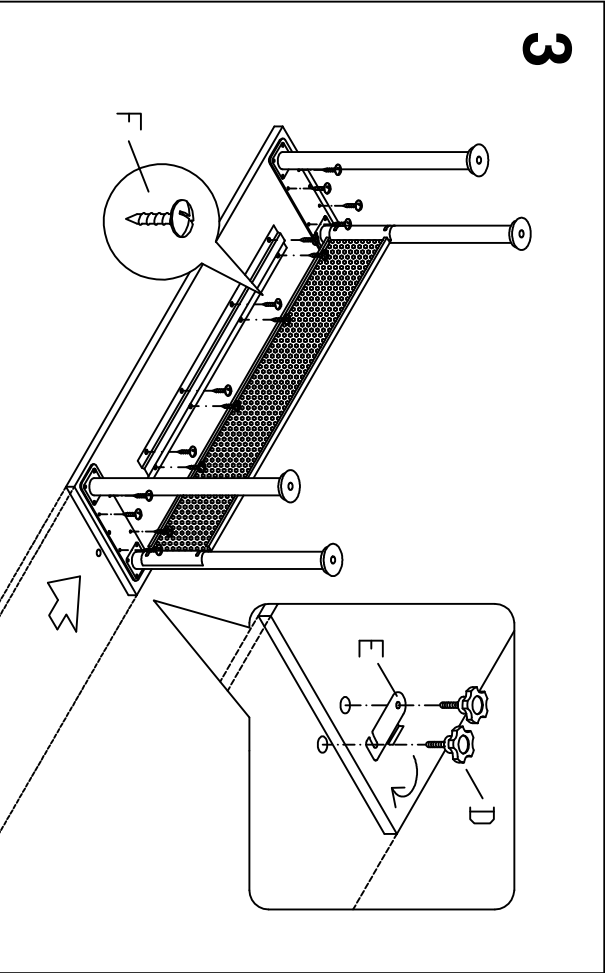
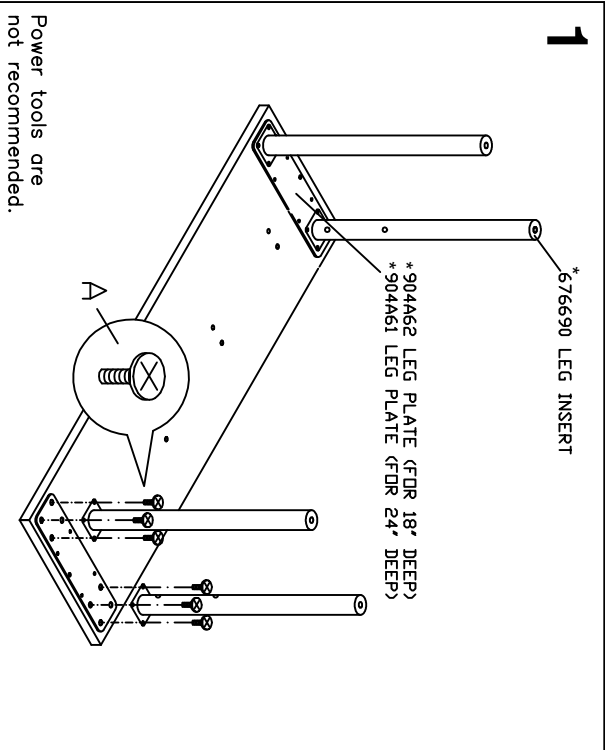
When ordering components, specific color and/or size information may be required.
Contact a Mayline Customer Service Representative: 1-800-822-8037

* Individual Items, Order by part number.

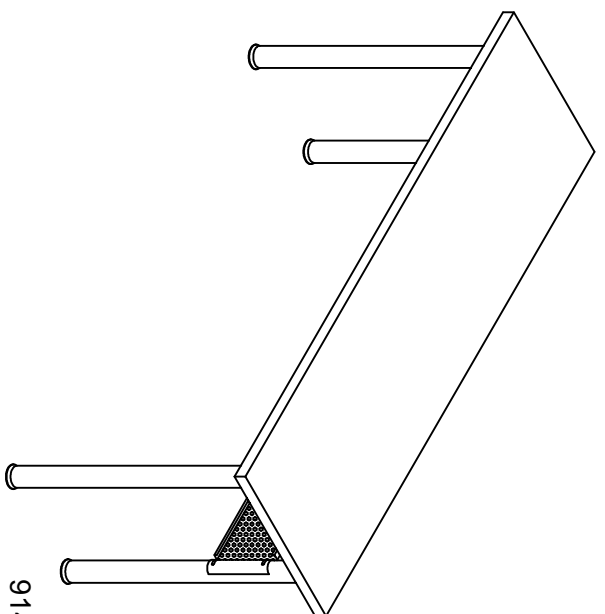
1872REFLKBK
1872RECRYBLK
2472REFLKBK
2472RECRYBLK
INSTRUCTION SHEET

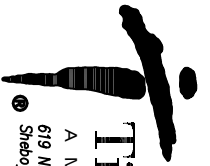


ITEMS A-F
990831 *
HARDWARE
BAG



Power tools are not recommended.





Tiffany Industries™

A MAYLINE GROUP COMPANY

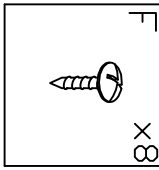
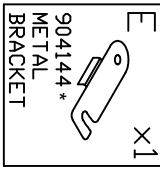
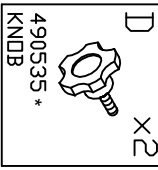
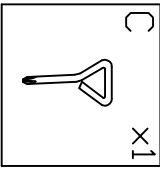
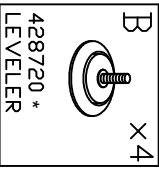
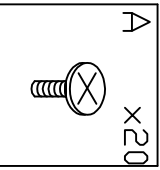
619 N. Commerce, P.O. Box 728
Sheboygan, WI 53082-0728

Toll Free: 1-800-822-8037
FAX: 920-457-7388
On Line: www.mayline.com

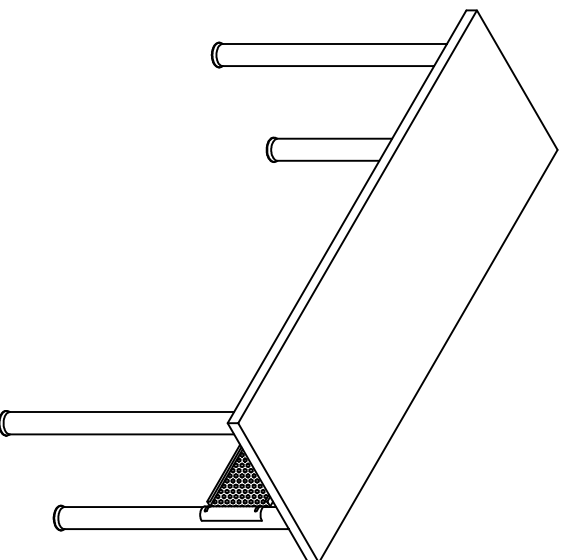
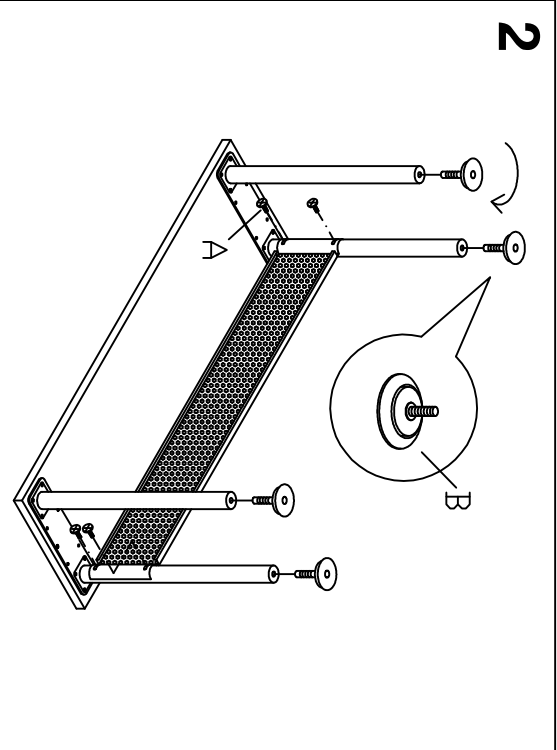
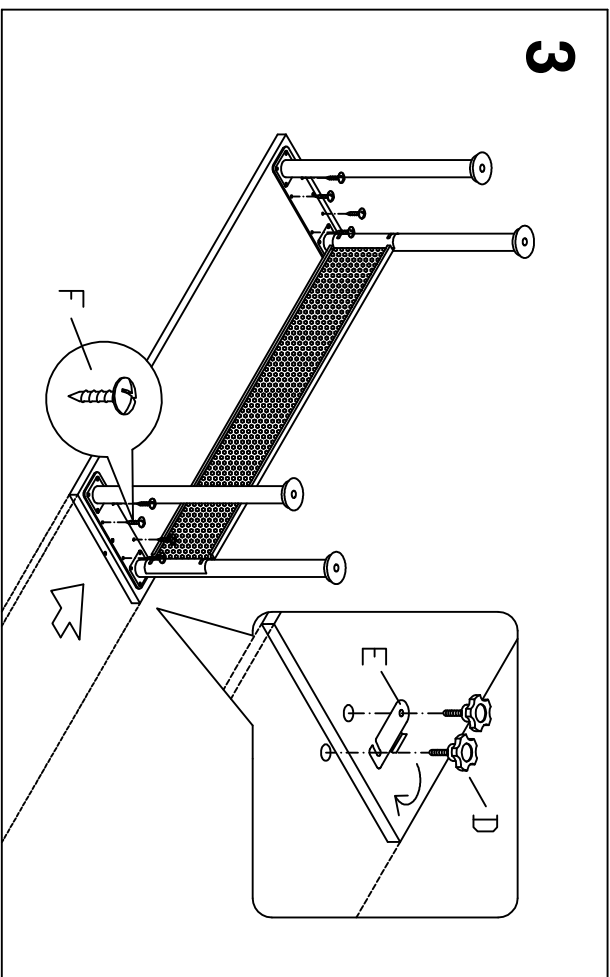
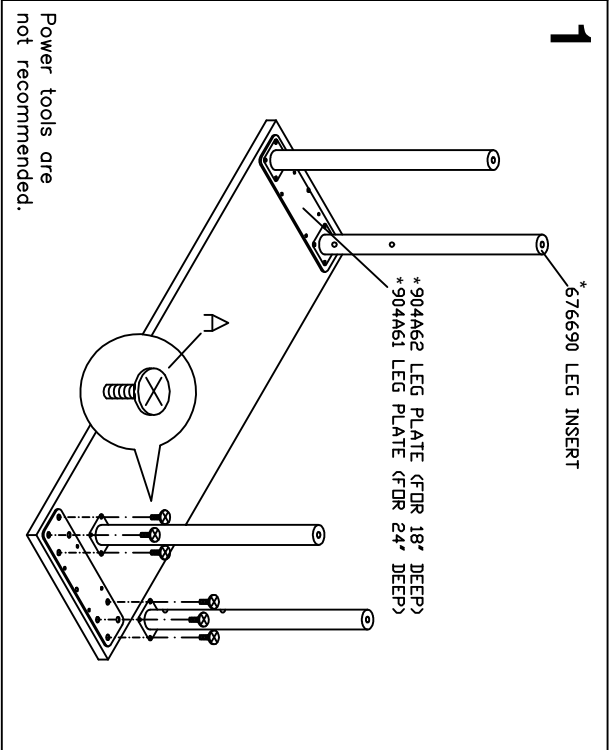
When ordering components, specific color and/or size information may be required.
Contact a Mayline Customer Service Representative. 1-800-822-8037

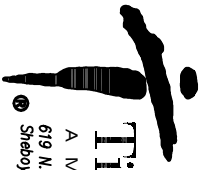
* Individual Items. Order by part number.

1860REFLKBLK
1860RECRYBLK
2448REFLKBLK
2448RECRYBLK
2460REFLKBLK
2460RECRYBLK
INSTRUCTION SHEET



ITEMS A-F
REPLACEMENT
HARDWARE
BAG 990831 *
MAY HAVE
EXTRA ITEMS





Tiffany Industries™

A MAYLINE GROUP COMPANY

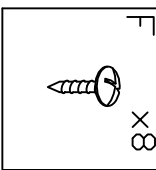
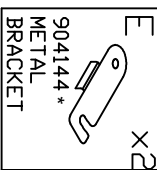
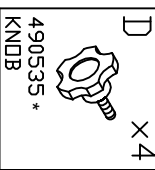
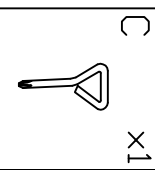
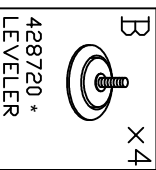
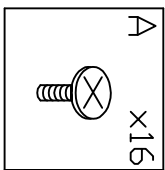
619 N. Commerce, P.O. Box 728
Sheboygan, WI 53082-0728

On Line: www.mayline.com

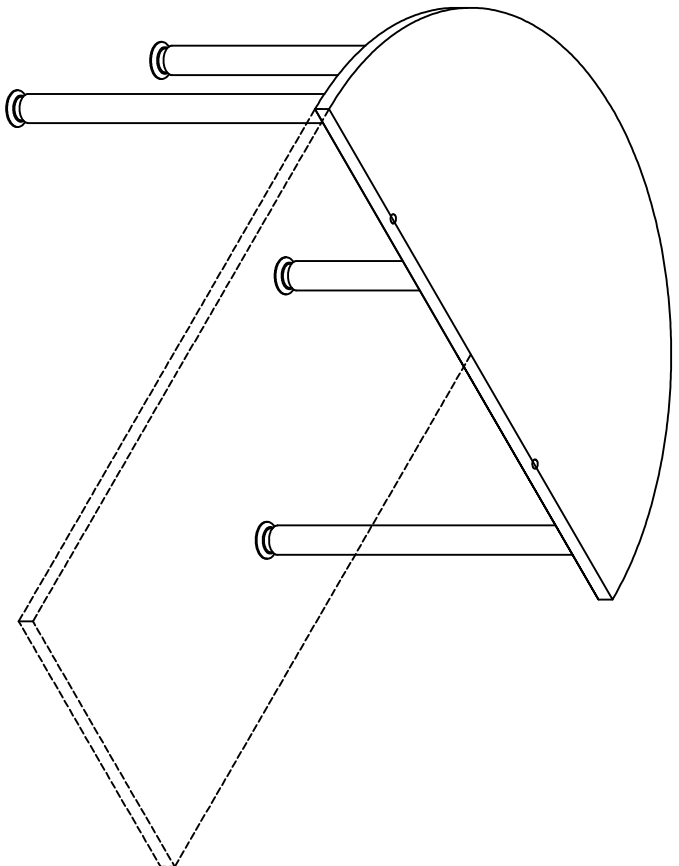
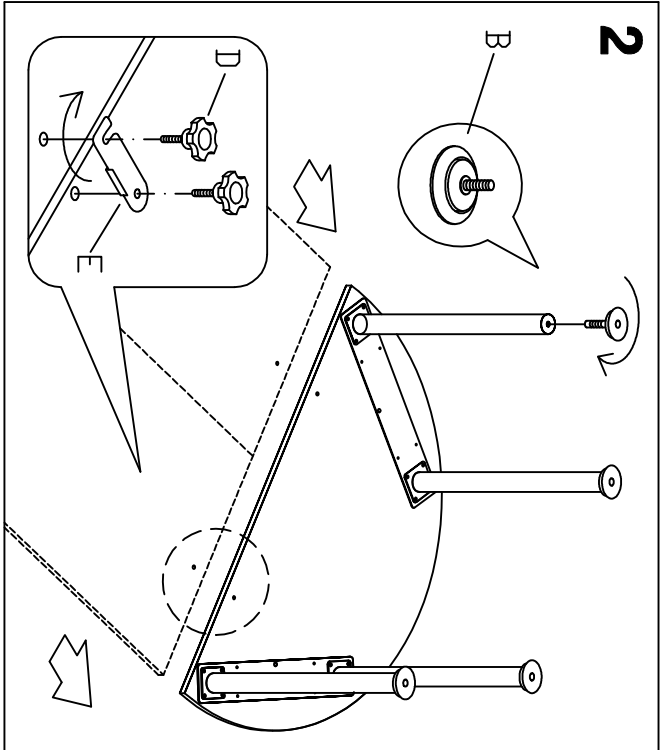
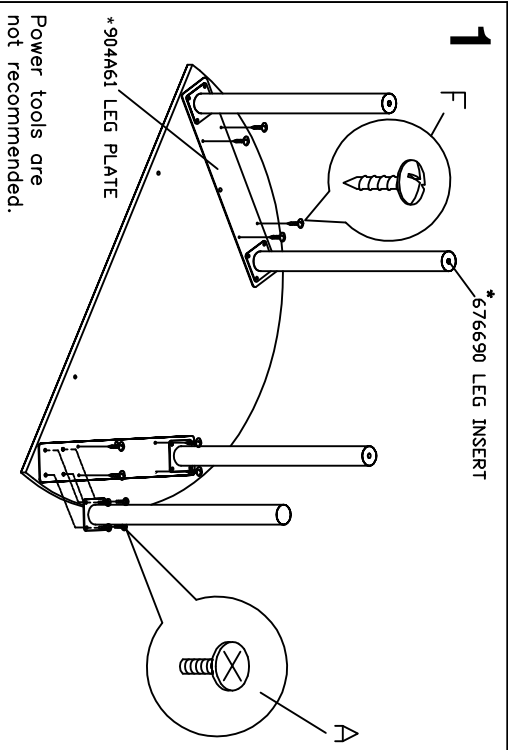
When ordering components, specific color and/or size information may be required.
Contact a Mayline Customer Service Representative: 1-800-822-8037

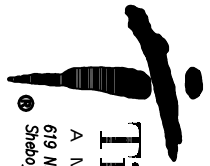
** Individual Items, Order by part number.*

2448HEFLKBLK
2448HECRYBLK
INSTRUCTION SHEET



ITEMS A-F
9908333 *
HARDWARE
BAG





Tiffany Industries™

A MAYLINE GROUP COMPANY

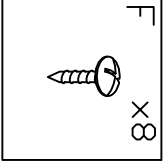
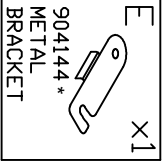
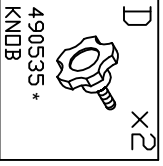
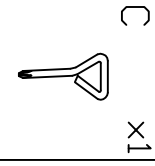
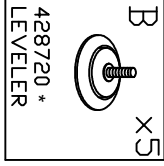
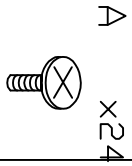
619 N. Commerce, P.O. Box 728
Sheboygan, WI 53082-0728

On Line: www.mayline.com

When ordering components, specific color and/or size information may be required.
Contact a Mayline Customer Service Representative: 1-800-822-8037

* Individual Items, Order by part number.

2448CEFLKBLK
2448CECRYBLK
INSTRUCTION SHEET



ITEMS A-F
990834*
HARDWARE
BAG

