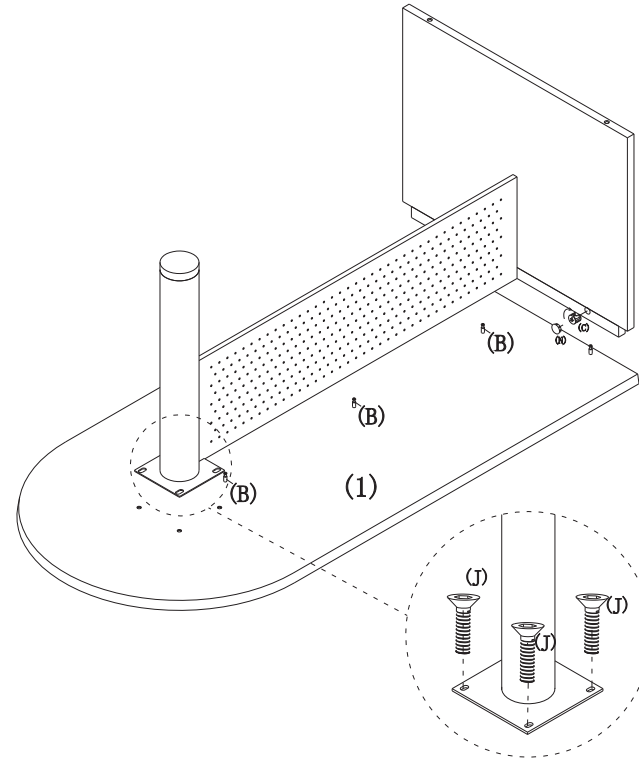
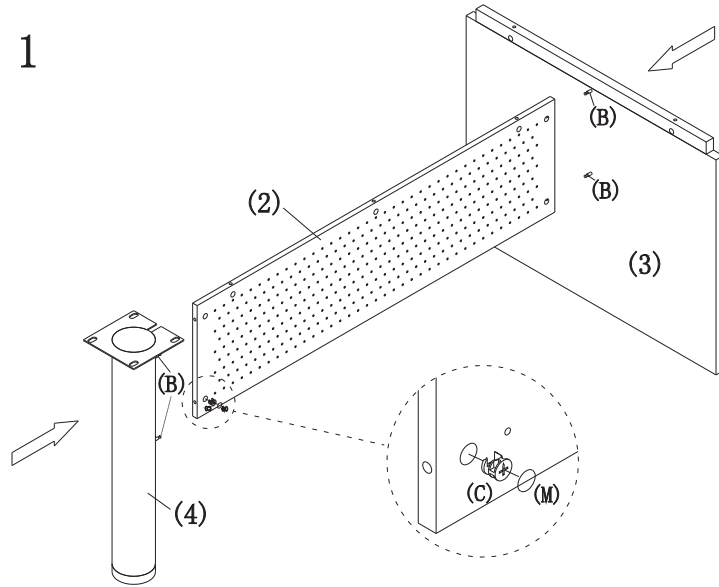
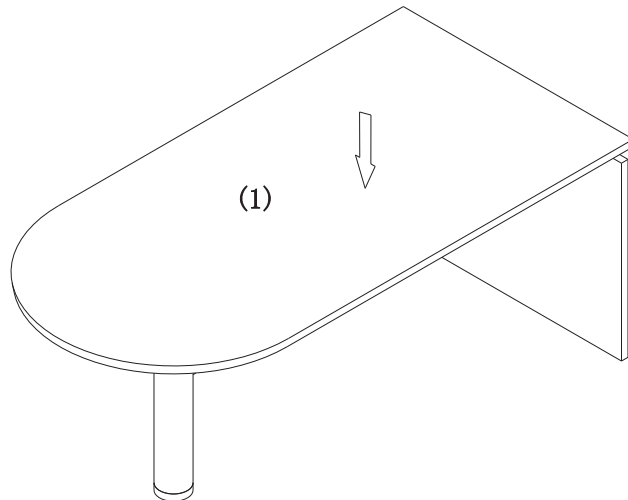


(1)	(2)	(3)	(4)	(B)	(C)	(N)	(M)	(J)	M6*15
1PCS	1PCS	1PCS	1PCS	9PCS+1	9PCS+1	2PCS+1	7PCS+1	4PCS	

**STEP 1**



**STEP 2**



NAME: PENINSULA TABLE  
 TYPE: E-PT3672  
 SPECIFICATION: 72"\*36"\*29"H

