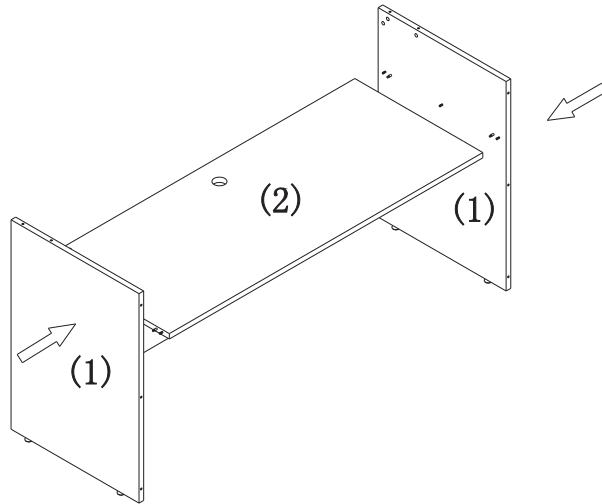
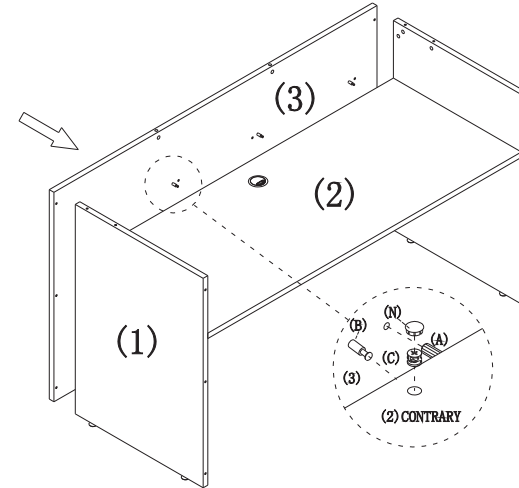


(1)	(2)	(3)	(4)	(A)	(B)	(C)	(N)	(o)
2PCS	1PCS	1PCS	1PCS	10PCS	20PCS+1	20PCS+1	20PCS+1	6PCS+1

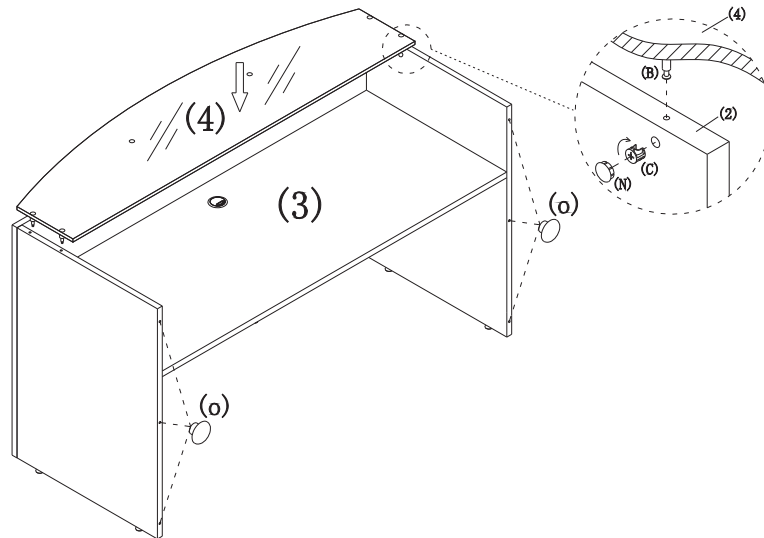
STEP 1



STEP 2



STEP 3



NAME: RECEPTION STATION  
 TYPE: E-RS7278  
 SPECIFICATION: 72"W\*36"D\*42"H

**AVA**  
 FURNITURE GROUP  
 Luminary Series