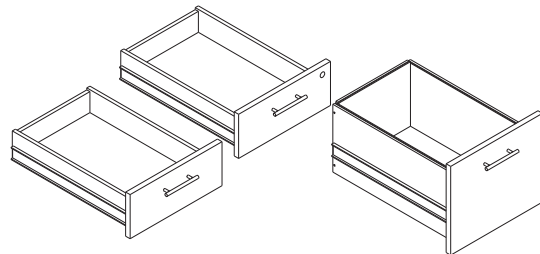
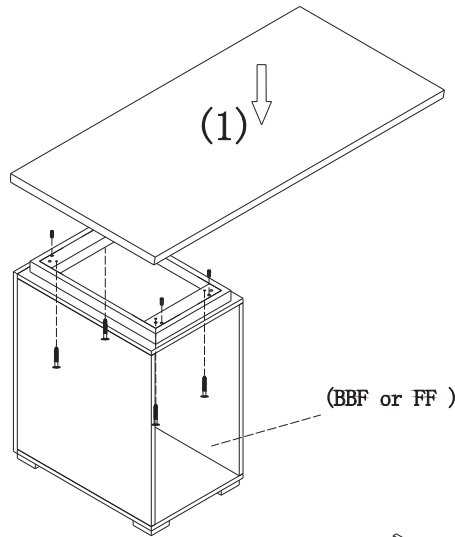


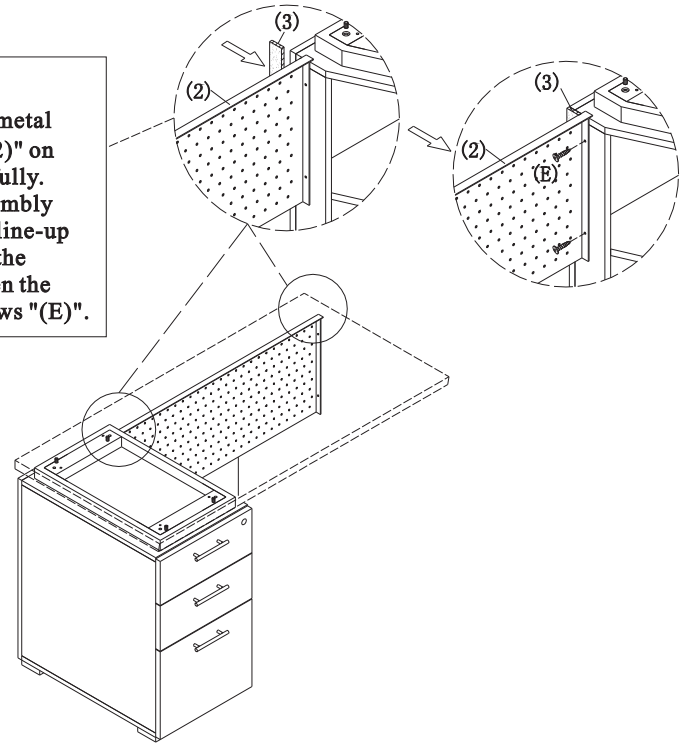
STEP 1



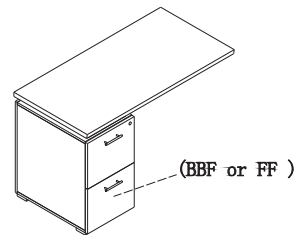
STEP 2

Notes:

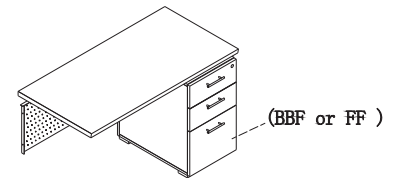
Please put the metal modesty panel "(2)" on the pedestal carefully. Then use the Assembly template "(3)" to line-up the backboard of the pedestal and fasten the "(2)" by four screws "(E)".



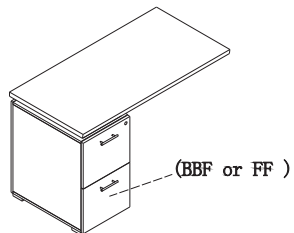
or



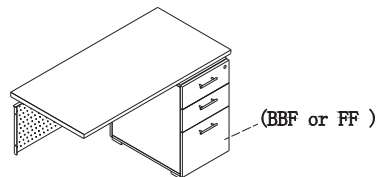
or



or



or



NAME: RETURN
 TYPE: E-RT2448
 SPECIFICATION: 48"W*24"D*29"H

AVA
 FURNITURE GROUP
 Luminary Series