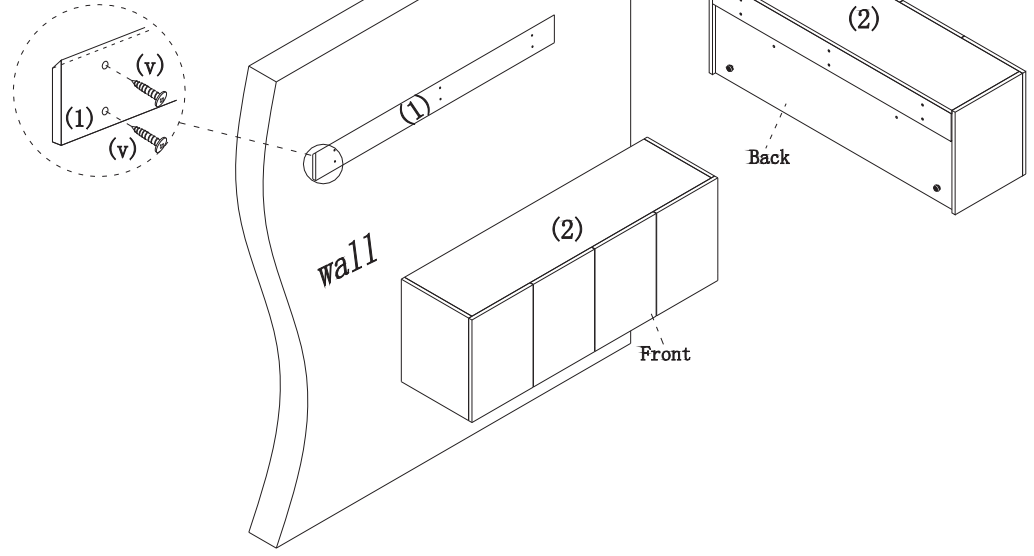
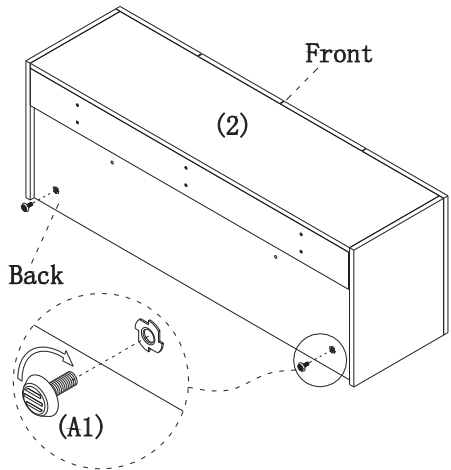


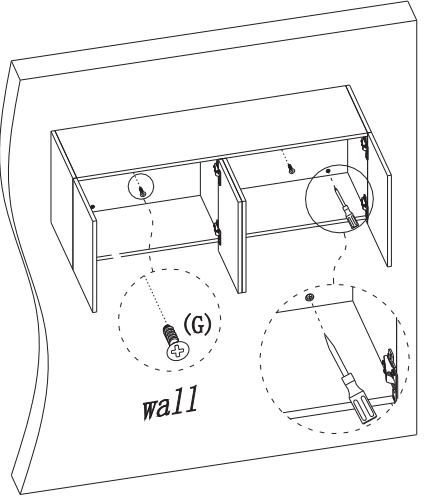
(1)	(2)	(v) 5*40mm	(G) 4*25mm	(A1)	(n)	(p)
1PCS	1PCS	6PCS+1	2PCS	2PCS	2PCS	2PCS

STEP 2

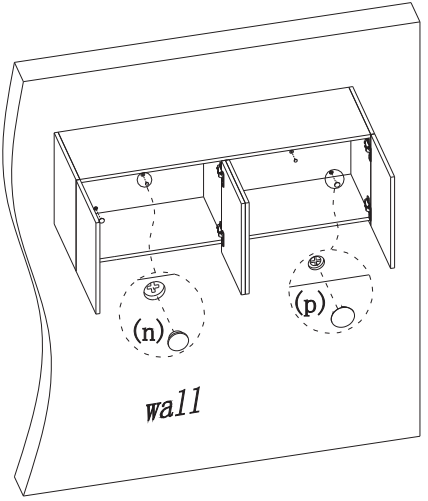
STEP 1



STEP 3



STEP 4



NAME: Wall mounted Hutch Unit  
 TYPE: E-WHU48  
 SPECIFICATION: 48\*W\*14\*D\*17\*H

