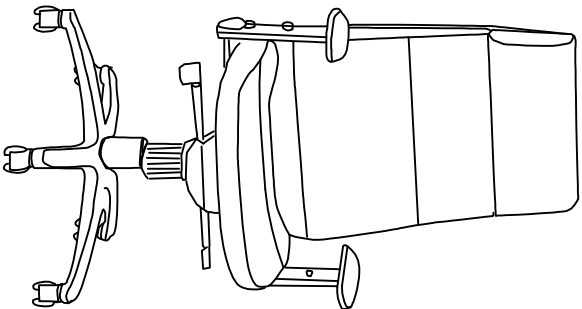


ASSEMBLY INSTRUCTIONS

Mercado Pivot Arm Chair

Model No. FL

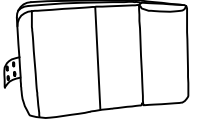



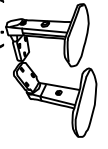









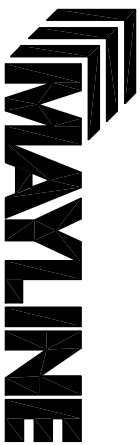
PARTS LIST FL

When ordering components, specific color and/or size information may be required.
Contact a Mayline Customer Service Representative. 1-800-822-8037

* Individual Items, Order by part number.

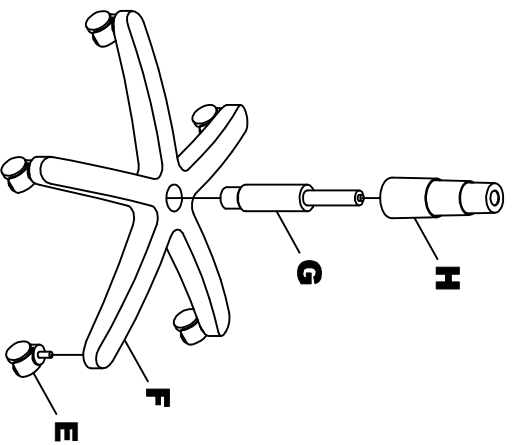
** Denotes Color Code.

Reference Letter	Quantity	Reference Letter	Quantity
A*	1	G*	1
Part Number 101507** Back		Part Number 101401 Cylinder	
Reference Letter		Reference Letter	
B*	1	H*	1
Part Number 101506** Seat		Part Number 101406 Cylinder Cover	
Reference Letter		Reference Letter	
C*	2	101519* Hardware Bag	
Part Number 101518 Arms (pair)		Reference Letter	
Reference Letter		J	8
D*	1	Screw 1/4-20 x 1"	
101425 Height Lever		Reference Letter	
Part Number 101402 Mechanism		K	6
Reference Letter		Screw 1/4-20 x 1-1/4"	
E*	5	Reference Letter	
Part Number 101400 Castor (5 per pack)		L*	4
Reference Letter		101542** Arm Plug	
F*	1	Reference Letter	
Part Number 101515** Base		M	1
		Allen Wrench	
			1

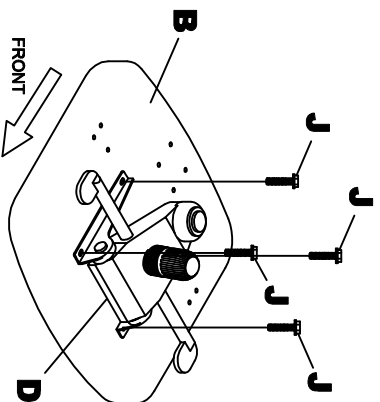


P/N FL REV 03 11/18/08

© Mayline Company, LLC
619 N. Commerce, P.O. Box 728
Sheboygan, WI 53082-0728
Toll Free: 1-800-822-8037
FAX: 920-457-7388
On Line: www.mayline.com

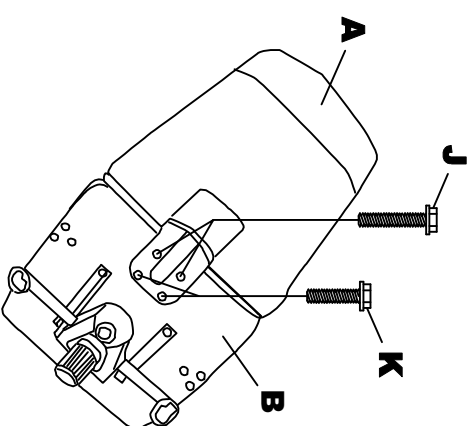


1. Place Base (F) upside down and push Casters (E) firmly into base. 5 places.
2. Turn Base right side up and insert Cylinder (G) into center hole of Base.
3. Place Cylinder Cover (H) over Cylinder.

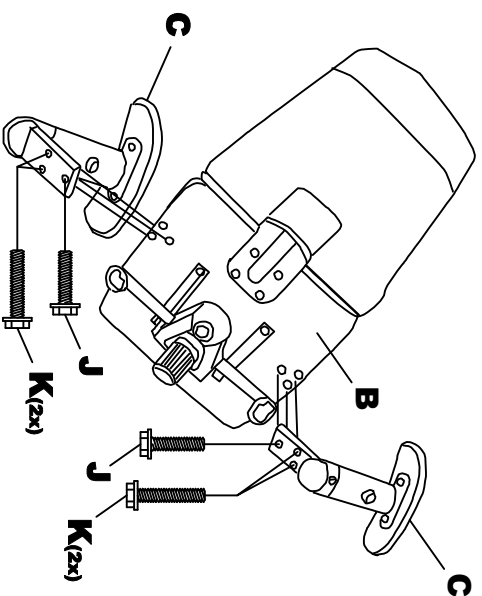


4. Assemble Mechanism (D) onto Seat (B) using Screws (J) 4 places.

2

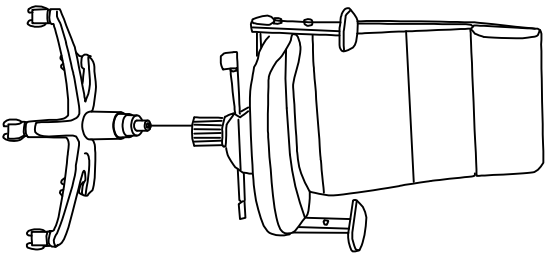


5. Assemble Back (A) onto Seat (B) using Screws (J) 2 places & Screws (K) 2 places.



6. Assemble Arm (C) 2 places onto Seat (B) using Screws (J) 1 place per arm & Screws (K) 2 places per Arm.

3



8. Carefully place chair assembly onto base assembly.

NOTE:

Periodically (Every 90 days) make sure screws are fully tightened.

OPERATING INSTRUCTIONS FOR DELUXE KNEE-TILT MECHANISM

1. Seat Height Adjustment.

To raise the seat, pull lever upward and raise your body up slightly to allow the chair to rise to the desired height.

To lower the seat, pull lever upward and apply weight downward on the seat.

2. Seat Tilt Adjustment Lock

Pull lever upward and allow the chair to tilt backwards.

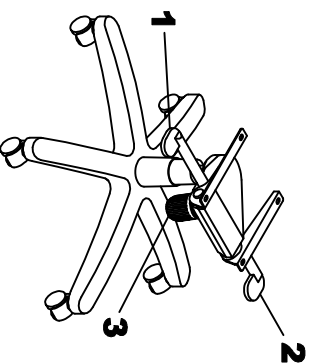
To lock to the desired position push lever downward.

To release tilt adjustment, pull lever upward, apply weight onto the back cushion and then lean forward.

3. Tilt Tension Control Knob.

Turn knob clockwise to increase tilt tension.

Turn knob counter-clockwise to decrease tilt tension.



4