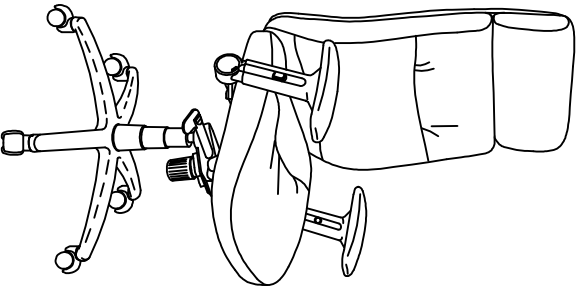


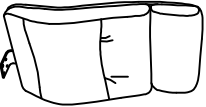



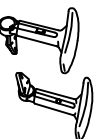
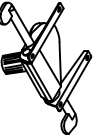

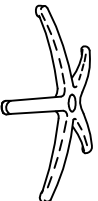
ASSEMBLY INSTRUCTIONS
MERCADO PIVOT ARM HIGH-BACK CHAIR
MODEL NO. FL



PARTS LIST FL

When ordering components, specific color and/or size information may be required.
 Contact a Mayline Customer Service Representative. 1-800-822-8037

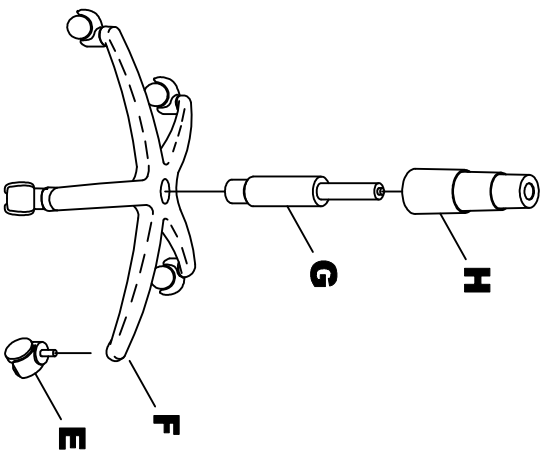
* Individual Items, Order by part number.
 ** Denotes Color Code

Reference Letter A *	Quantity 1		Reference Letter G *	Quantity 1	
Part Number CM105** Back			Part Number CM184 Cylinder		
Reference Letter B *	Quantity 1		Reference Letter H *	Quantity 1	
Part Number CM124** Seat			Part Number CM190 Cylinder Cover		
Reference Letter C *	Quantity 1		Part Number CM219 * Hardware Pack	Quantity 4	Spare 1
Part Number CM143 Arms (pair)			Reference Letter J	Quantity 4	Spare 1
Reference Letter D *	Quantity 1		Reference Letter K	Quantity 4	Spare 1
Part Number CM160 Mechanism			Screw M8 x 27mm		
Reference Letter E *	Quantity 5		Reference Letter L	Quantity 6	Spare 1
Part Number CM210 Caster (5 pack)			Screw 1/4"-20 x 1-1/4"		
Reference Letter F *	Quantity 1		Reference Letter M	Quantity 2	Spare 1
Part Number CM204 Base			Allen Wrench		

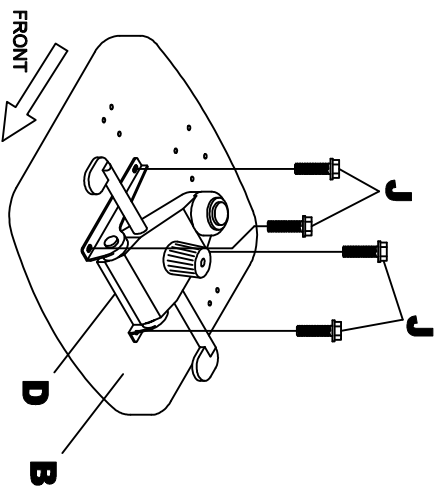
IMPORTANT!

Review ALL instructions before beginning assembly. These instructions are provided to avoid problems that may occur from improper assembly or installation. Mayline and/or its distributor are not responsible for failure resulting from improper assembly or installation of this product. Moreover, all warranties are void for failure to follow these assembly instructions.



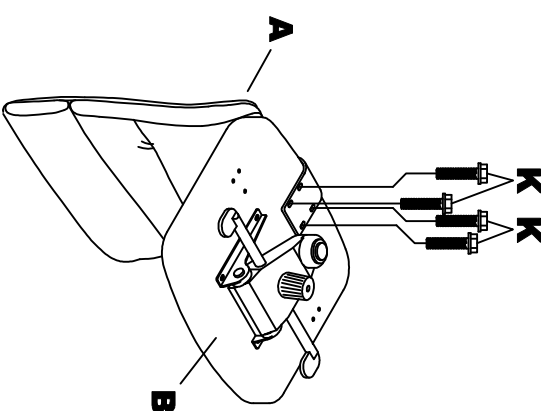


1. Place Base (F) upside down and push Casters (E) firmly into base. 5 places.
2. Turn Base right side up and insert Cylinder (G) into center hole of Base.
3. Place Cylinder Cover (H) over Cylinder.

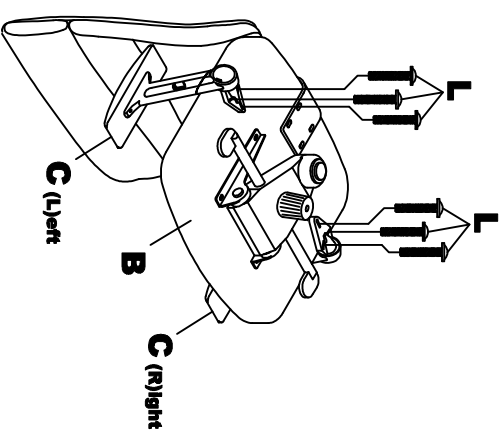


4. Assemble Mechanism (D) onto Seat (B) using Screws (J) 4 Places.

(3)

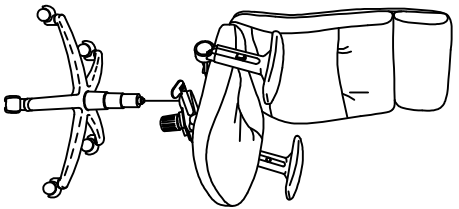


5. Assemble Back (A) onto Seat (B) using Screws (K) 4 places.



6. Assemble Arm (C) 2 places onto Seat (B) using Screws (L) 6 places.

(4)



7. Carefully place chair assembly onto base assembly.

Note:

Periodically (Every 90 days) make sure screws are fully tightened.

OPERATING INSTRUCTIONS FOR DELUXE KNEE-TILT MECHANISM

1. Seat Height Adjustment.

To raise the seat, pull lever upward and raise your body up slightly to allow the chair to rise to the desired height.

To lower the seat, pull lever upward and apply weight downward on the seat.

2. Seat Tilt Adjustment Lock

Pull lever upward and allow the chair to tilt backwards.

To lock to the desired position push lever downward.

To release tilt adjustment, pull lever upward, apply weight onto the back cushion and then lean forward.

3. Tilt Tension Control Knob.

Turn knob clockwise to increase tilt tension.

Turn knob counter-clockwise to decrease tilt tension.

