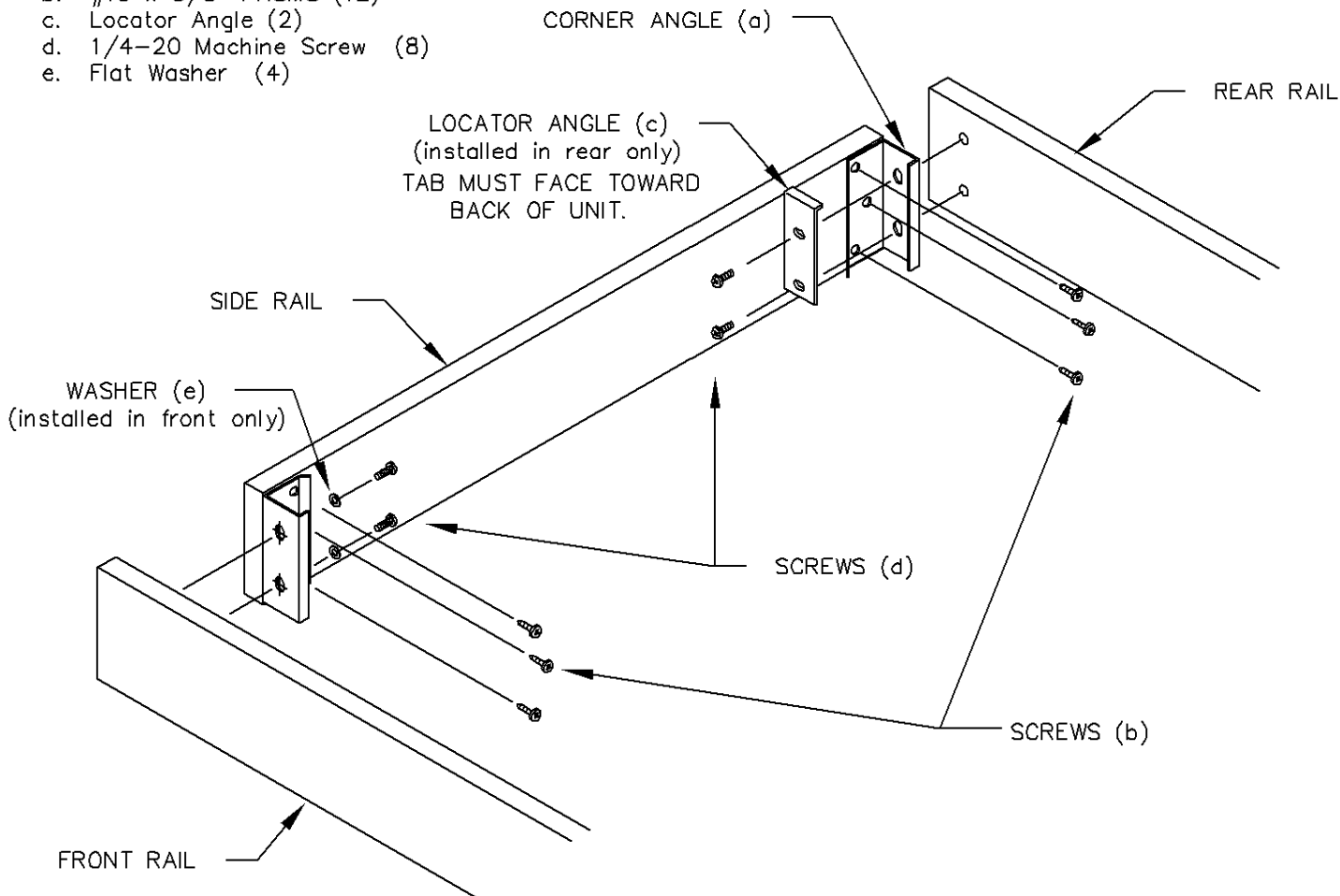


ASSEMBLY INSTRUCTIONS for FLUSH BASE

HARDWARE BAG COMPONENTS

- a. Corner Angle (4)
- b. #10 x 5/8" PHSMS (12)
- c. Locator Angle (2)
- d. 1/4-20 Machine Screw (8)
- e. Flat Washer (4)



ASSEMBLY INSTRUCTIONS

1. Insert screws (b) thru corner angle bracket (a) into side rails, both ends.
2. Set side rails (with bracket attached) on floor parallel to each other.
3. Align holes in front & rear rails with those in the brackets attached to side rails.
4. Insert screws (d) thru locator angle (c), and corner angle (a), into rear rail, both ends.
5. Insert screw (d) thru washer (e), and corner angle (a), and into front rail, both ends.
6. Tighten all screws.

MAYLINE® Mayline Company, LLC
619 N. Commerce, P.O. Box 728
Sheboygan, WI 53082-0728
Phone: 920-457-5537
Toll Free: 1-800-822-8037
FAX: 920-457-7388