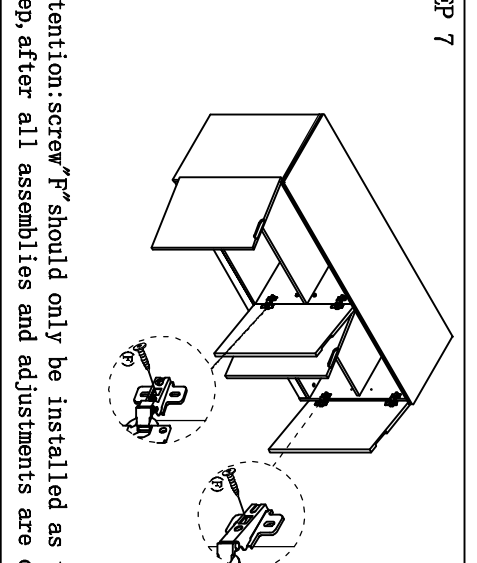
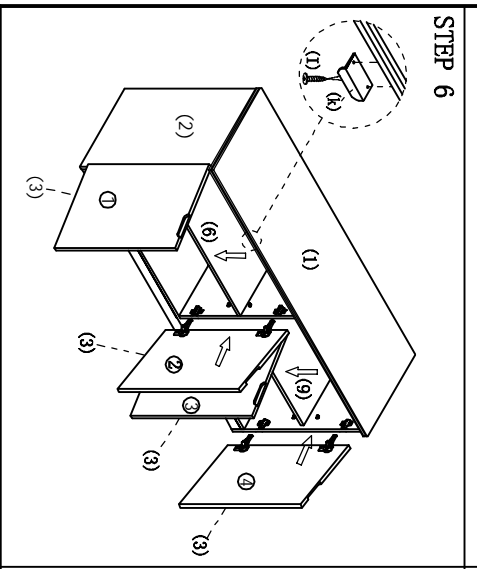
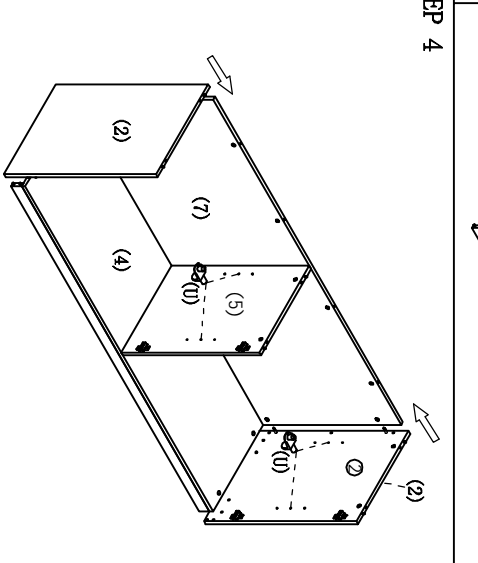
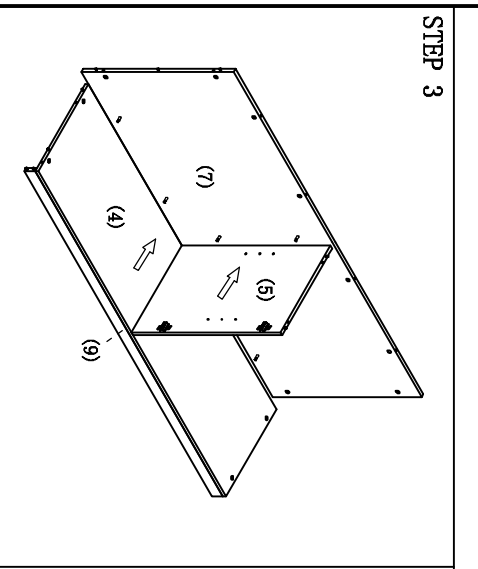
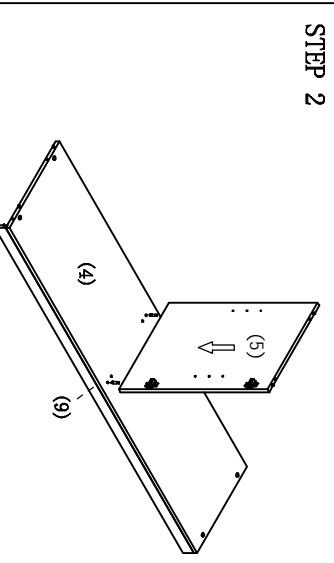
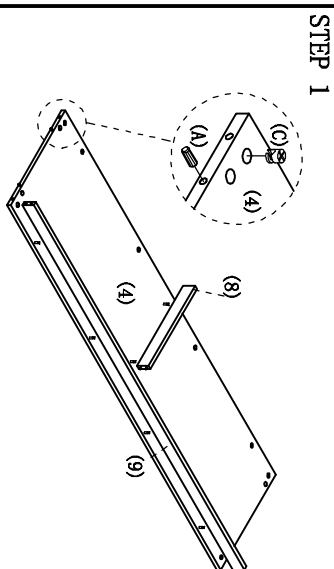
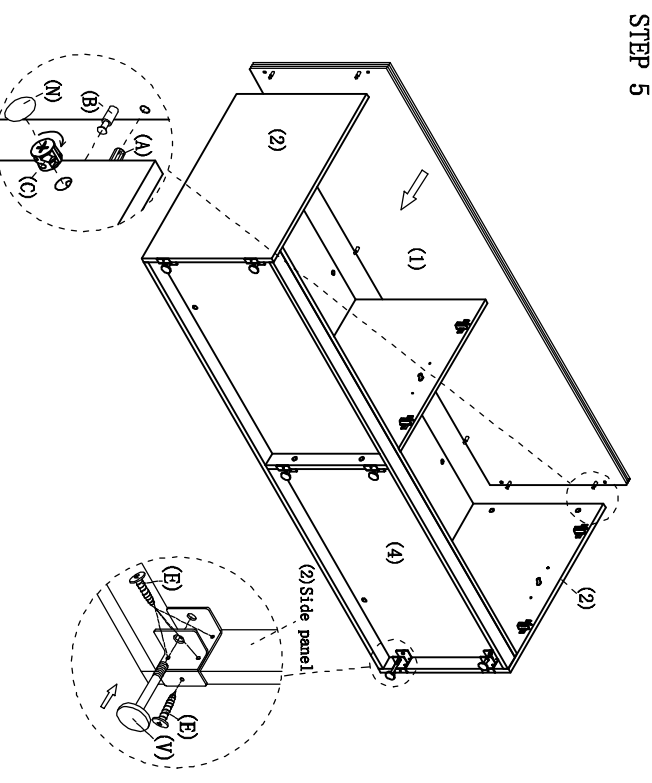


(1)	(2)	(3)	(4)	(5)	(6)	(7)	(8)	(9)	(A)	(B)	(C)	(E)	(F)	(I)	
1PCS	2PCS	4PCS	1PCS	1PCS	2PCS	1PCS	1PCS	1PCS	1PCS	28PCS+1	33PCS+1	33PCS+1	30PCS+2	8PCS+1	4PCS+2



**STEP 5**

(K)	(N)	(P)	(U)	(V)
2PCS	6PCS+1	33PCS+1	8PCS+1	6PCS



Attention: screw "F" should only be installed as the final step, after all assemblies and adjustments are complete.

NAME: Hinged Door Credenza  
 TYPE: M-HDC2072  
 SPECIFICATION: 72"W\*20"D\*29"H

