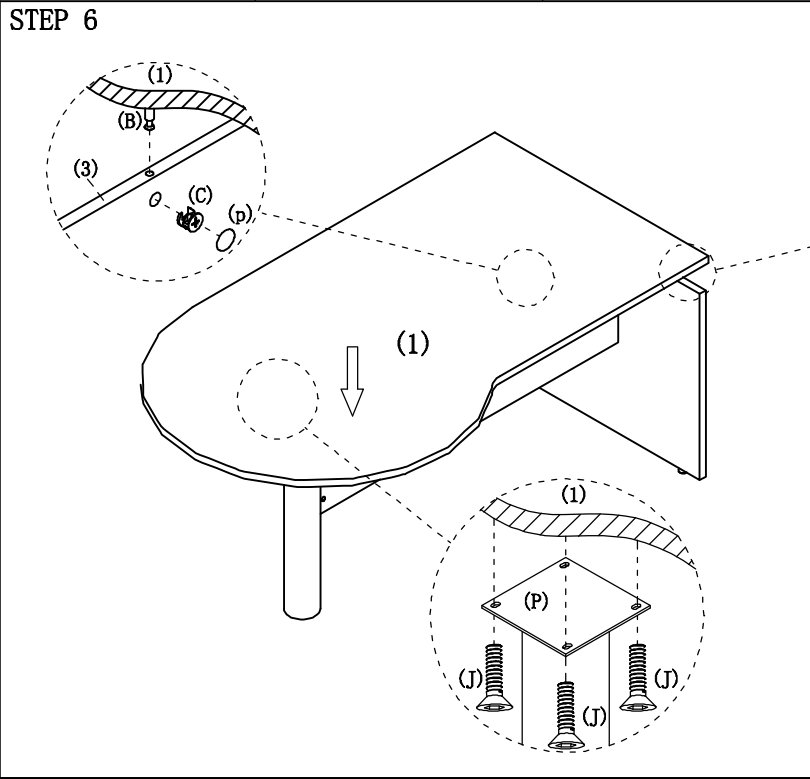
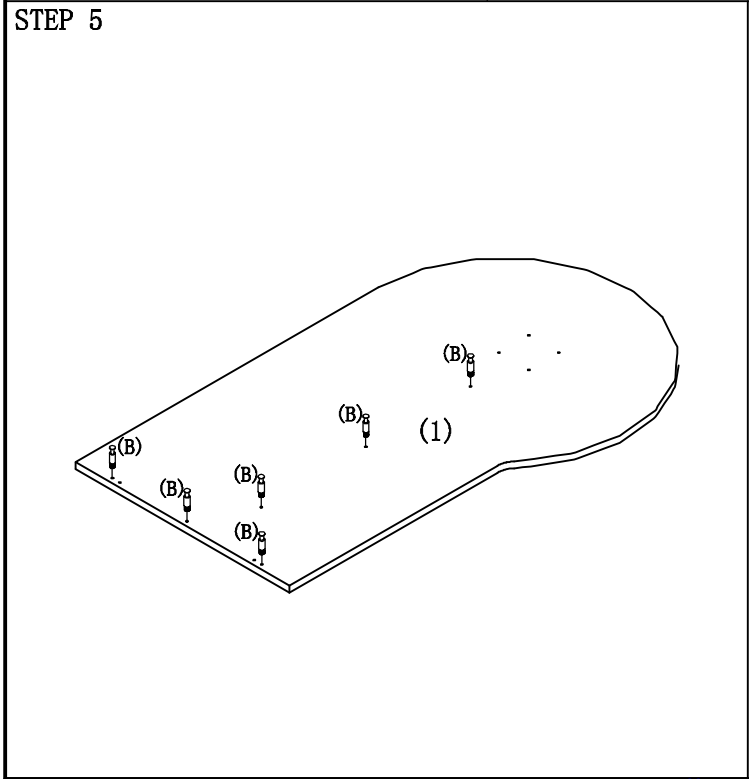
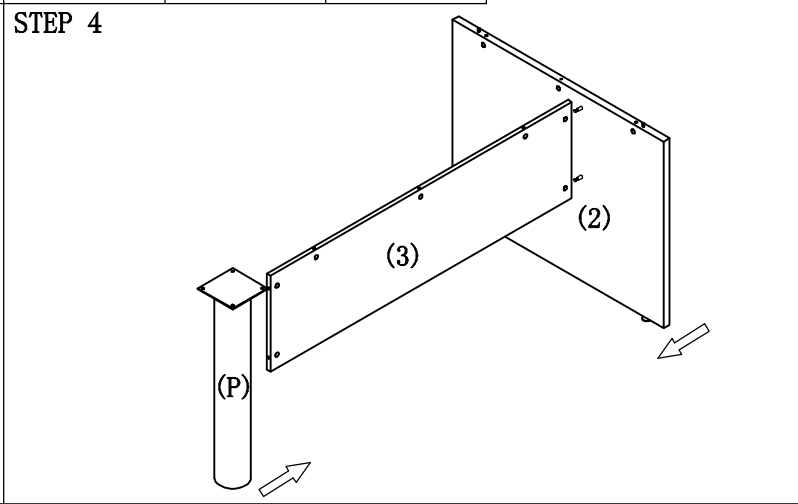
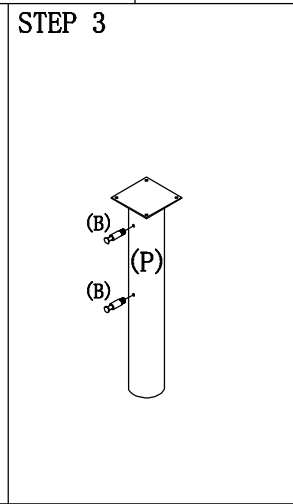
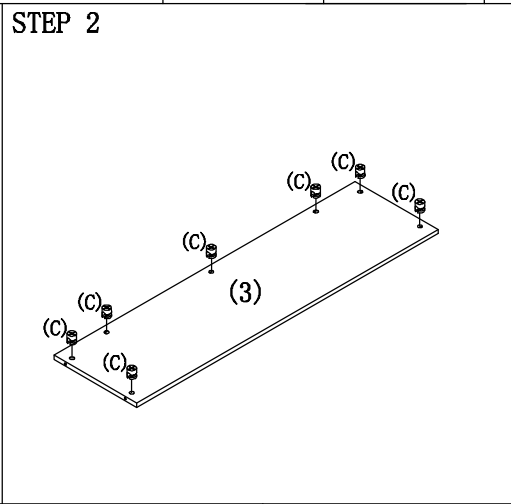
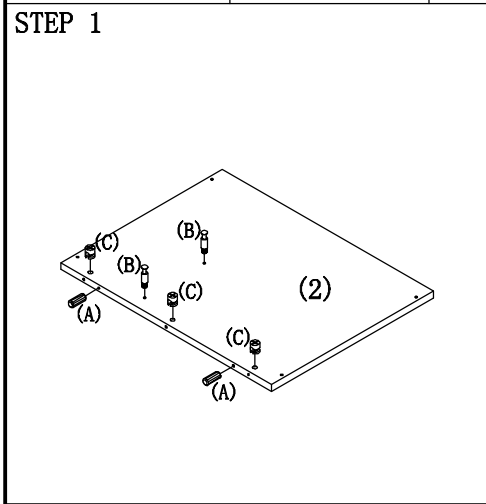


(1) 1PCS	(2) 1PCS	(3) 1PCS	(P) 1PCS	(A) 2PCS+1	(B) 10PCS+1	(C) 10PCS+1	(p) 7PCS+1	(N) 3PCS+1	(J) 6*16mm 4PCS+1
-----------------	-----------------	-----------------	-----------------	-------------------	--------------------	--------------------	-------------------	-------------------	--------------------------



NAME: P-TOP LEFT
TYPE: M-PCTR4272
SPECIFICATION: 72"W*42"D*29"H