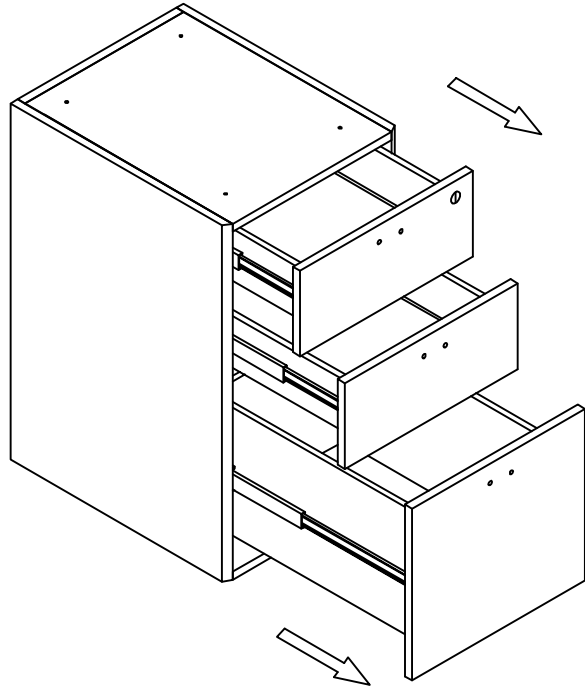
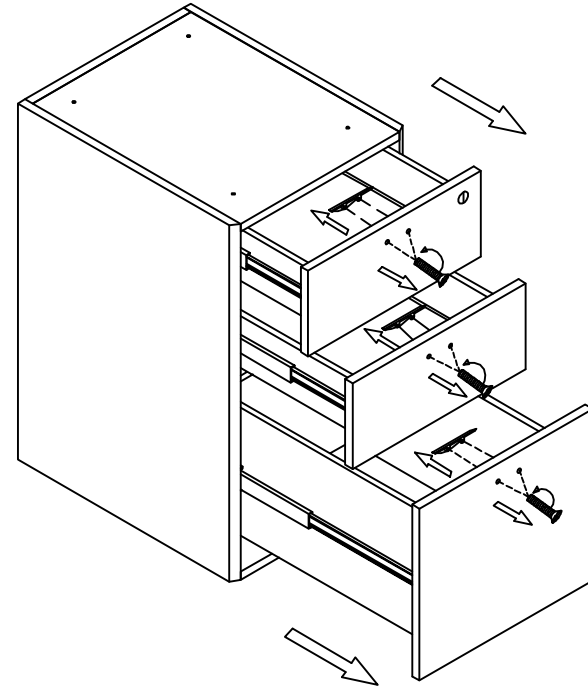


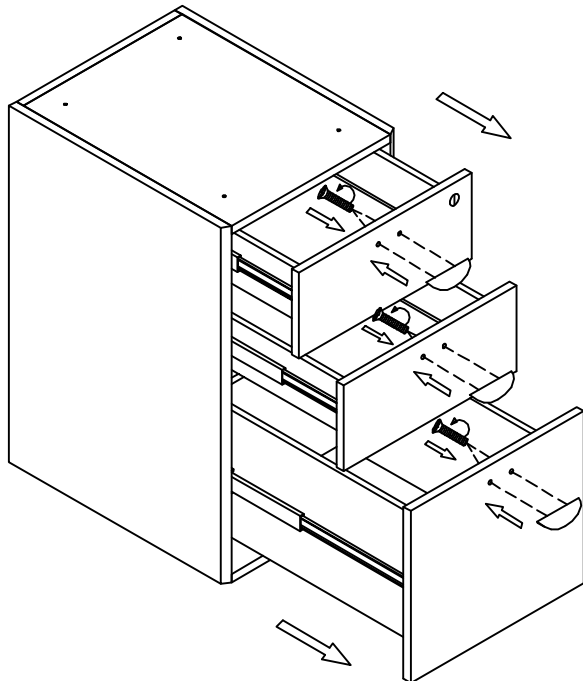
STEP 1



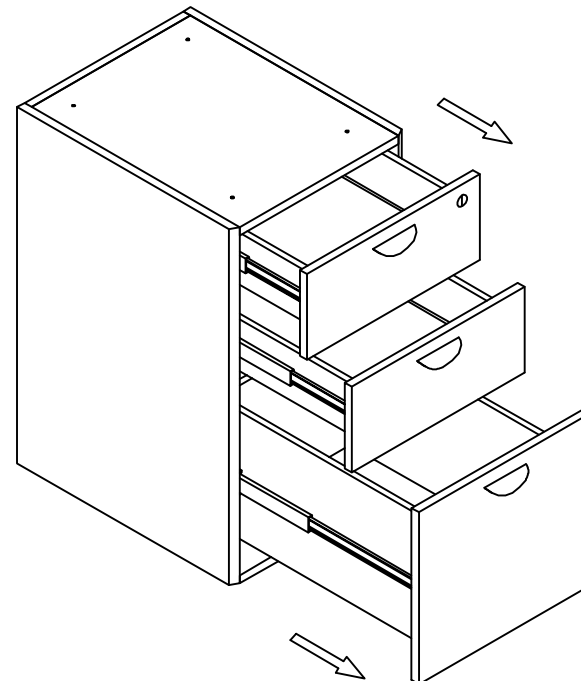
STEP 2



STEP 3



STEP 4



NAME: HANGING CABINET
TYPE: M-PBBF19-MC
SPECIFICATION: 15.2"W*19"D*27.55"H

AVA
FURNITURE GROUP