

# ASSEMBLY INSTRUCTIONS

## PERISCOPE ADJUSTABLE TABLE (4 Legs)

NOTE: Please count and inspect all pieces before disposing of any carton or packing materials.

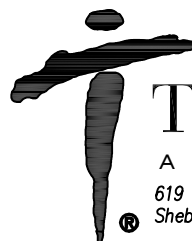
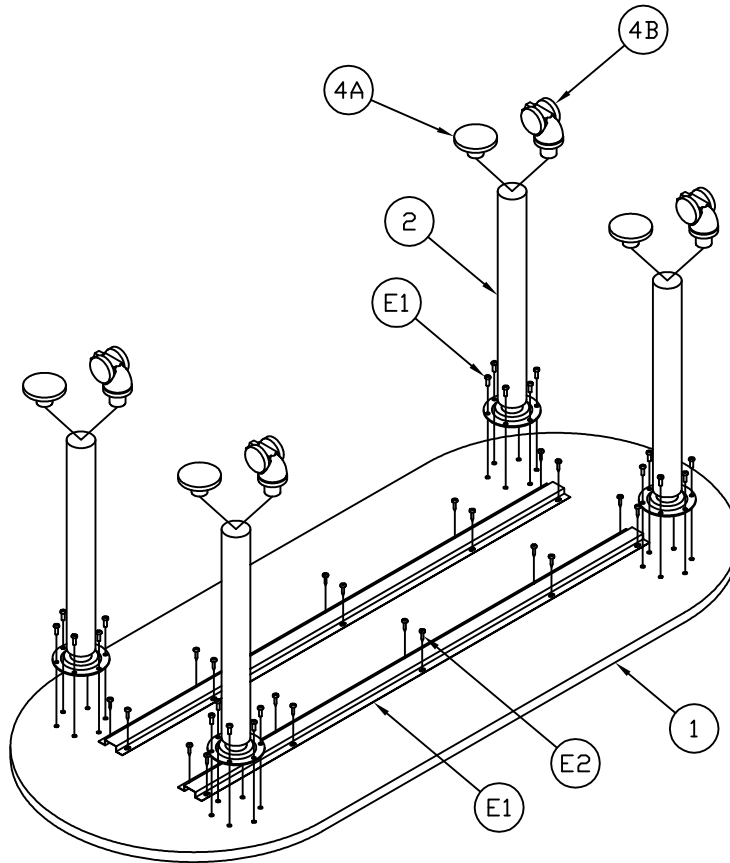
### COMPONENTS

When ordering components, specific color and/or size information may be required. Contact a Mayline Customer Service Representative. 1-800-822-8037

REF#	QTY.	DESCRIPTION	PART NO.	** Denotes Color Code ~~Denotes Size
1	1	Top	CALL ~~**	
2	4	Adjustable Leg	700242	
3	2	Metal Stiffener	411270C** (72" Model only)	
4A	4	Levelers or	700243	
4B	4	Locking Caster	700244	

### HARDWARE BAG (Part No. 610217)

REF#	QTY.	DESCRIPTION	PART NO.	* Individual Items, Order by part number.
E1	24	Screw, 1/4-20 x 1/2	7005 *	
E2	20	Screw, #12-8 x 3/4	710232 *	



**Tiffany Industries™**

A MAYLINE GROUP COMPANY

619 N. Commerce, P.O. Box 728 Sheboygan, WI 53082-0728

Toll Free: 1-800-822-8037

FAX: 920-457-7388

On Line: [www.mayline.com](http://www.mayline.com)

# ASSEMBLY INSTRUCTIONS

## PERISCOPE ADJUSTABLE TABLE (3 Legs)

NOTE: Please count and inspect all pieces before disposing of any carton or packing materials.

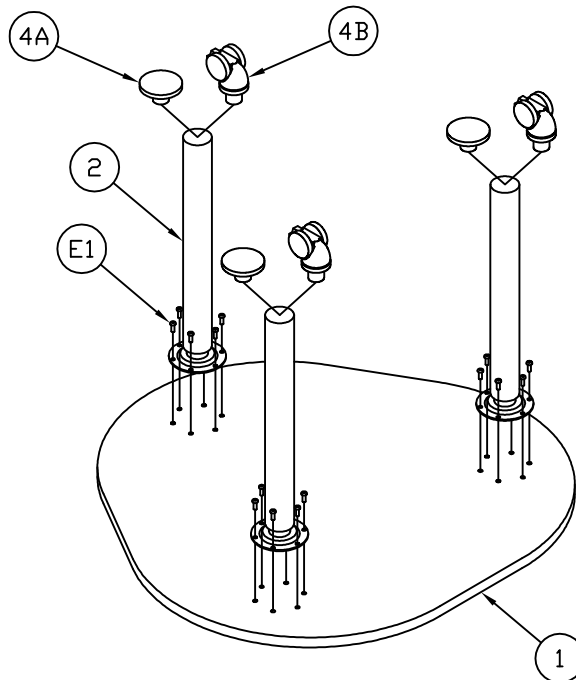
### COMPONENTS

When ordering components, specific color and/or size information may be required. Contact a Mayline Customer Service Representative. 1-800-822-8037

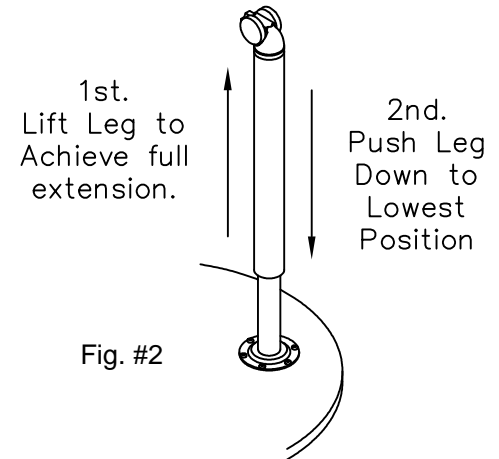
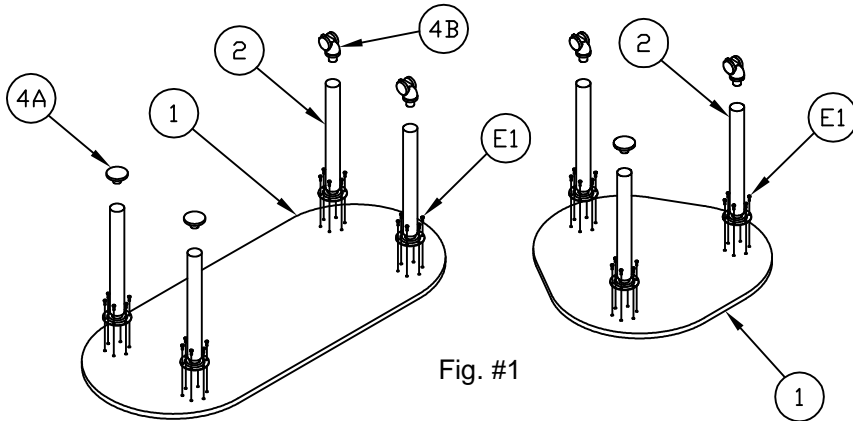
<u>REF#</u>	<u>QTY.</u>	<u>DESCRIPTION</u>	<u>PART NO.</u>	<i>** Denotes Color Code</i>
1	1	Top	CALL ~**	<i>~~Denotes Size</i>
2	3	Adjustable Legs	700242	
3	--	Metal Stiffeners	--	
4	3	Levelers or Locking Casters	700243 700244	

### HARDWARE BAG (Part No. 610217)

<u>REF#</u>	<u>QTY.</u>	<u>DESCRIPTION</u>	<u>PART NO.</u>	
E1	24 (18 Used)	Screw, 1/4-20 x 1/2	7005 *	<i>* Individual Items, Order by part number.</i>
E2	20 (0 Used)	Screw, #12-8 x 3/4	710232 *	

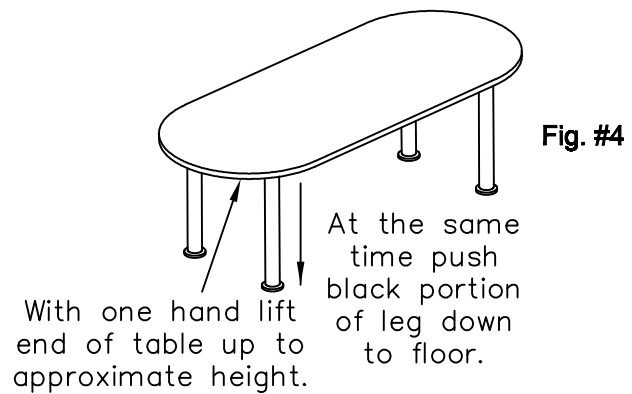
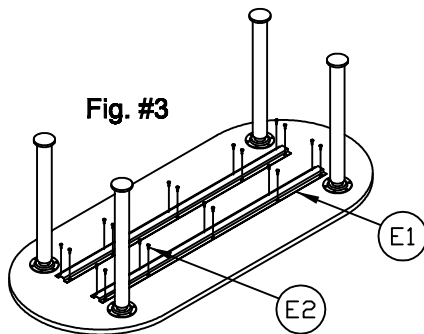


1. Begin assembly by placing the Top (1) face down on a clean flat work surface. Attach Legs (2) onto Top using six Screws (E1) per leg. NOTE: Align the legs so that the height indicator marks located on the chrome inner leg face outward toward the edge of the worksurface. Install all six Screws before tightening. Tighten all screws. See Fig #1
2. Depending on the model ordered install either the Levelers (4A) or the Casters (4B).
3. Prior to setting table to the upright position, adjust all legs to the lowest positions. See Fig. #2. Begin by lifting the outer portion of the leg to the full extended position. At this point the leg can be pushed down to the lowest position. Repeat for all legs.



For 72" Models

4. Locate and position the two Stiffeners (E1) as shown in Fig #3. Locate the Stiffeners to the inside of the legs and centered along the length of the top. Attach using twenty Screws (E2).



Height Adjustment Instructions

5. To adjust table to final desired height, position yourself at one end of the table and with one hand (positioned in the center of the table) lift the end of table to approximate desired height. At the same time push the black portion of the leg to the floor with the opposite hand. Repeat for all four legs. Note there are numbers stamped on the chrome portion of the leg to assist in proper positioning of each leg.
6. To lower the table, lift the table and adjust the legs to the full extended position. This will allow the table to be forced down to the lowest position. See Fig #4 above.

# WARNING

Floor glides may be used as levelers to accommodate uneven floors. However, tables with floor glides MUST NOT be pushed, pulled or anyway slid along the floor. ALWAYS REMOVE any items on the table and LIFT the table off the floor while moving.

Tables with Casters are not designed to be moved while the legs are extended with material on the table. Doing so will result in damage to the casters, legs and fasteners in the top and WILL NOT be covered by warranty. ALWAYS REMOVE any items on the table and lower the legs to the lowest position prior to relocating the table.

## WARRANTY PARTS IDENTIFICATION NOT INCLUDED IN ASSEMBLY

<u>REF#</u>	<u>QTY.</u>	<u>DESCRIPTION</u>	<u>PART NO.</u>	<u>NOTES</u>
5	2	Extension Spacer	700245 *	Use only when two legs have casters for wheelbarrow mobility.

