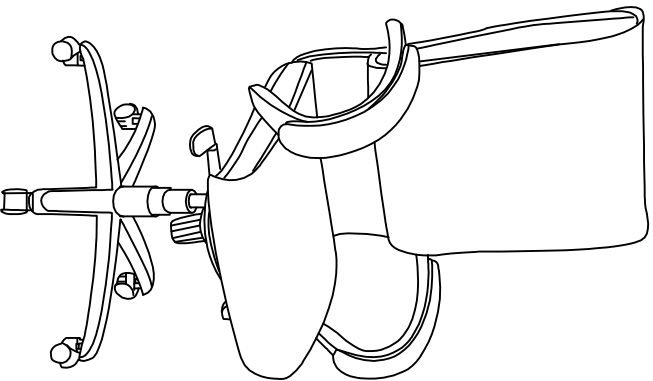


ASSEMBLY INSTRUCTIONS

Mercado President Chair

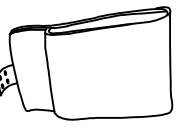














Model No. PRW



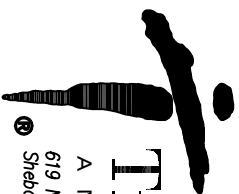
PARTS LIST PRW

When ordering components, specific color and/or size information may be required.
Contact a Mayline Customer Service Representative. 1-800-822-8037

* Individual Items. Order by part number.
** Denotes Color Code.

Reference Letter A*		Quantity 1	
Part Number 101482** Back			
Reference Letter B*		Quantity 1	
Part Number 101483** Seat			
Reference Letter C*		Quantity 2	
Part Number 101494** Arms (pair)			
Reference Letter D*		Quantity 1	
Part Number 101425 Height Lever			
Reference Letter E*		Quantity 5	
Part Number 101400 Castor (5 per pack)			
Reference Letter F*		Quantity 1	
Part Number 101493** Base			
Reference Letter G*		Quantity 1	
Part Number 101401 Cylinder			
Reference Letter H*		Quantity 1	
Part Number 101406 Cylinder Cover			
Part Number 101505* Hardware Bag			
Reference Letter J		Quantity 6	Spare 1
Reference Letter K		Quantity 2	
Reference Letter L		Quantity 4	
Reference Letter M*		Quantity 4	Spare 1
Reference Letter N		Quantity 1	
Reference Letter N		Quantity 1	
Reference Letter N		Quantity 1	

1

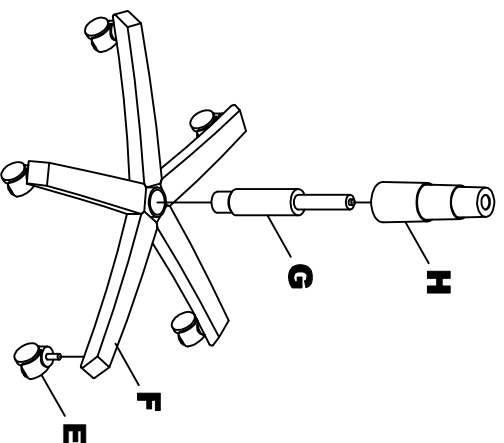


Tiffany Industries™

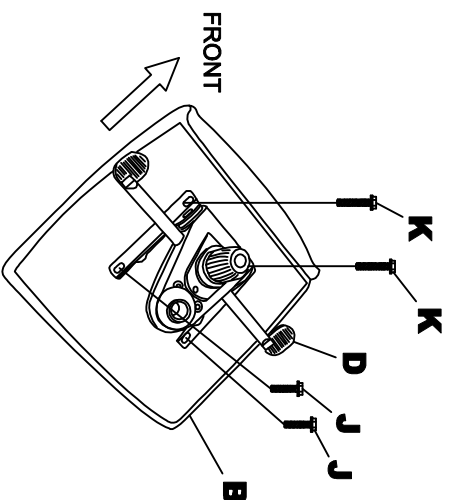
A MAYLINE GROUP COMPANY

619 N. Commerce, P.O. Box 728
Sheboygan, WI 53082-0728

Toll Free: 1-800-822-8037
FAX: 920-457-7388
On Line: www.mayline.com

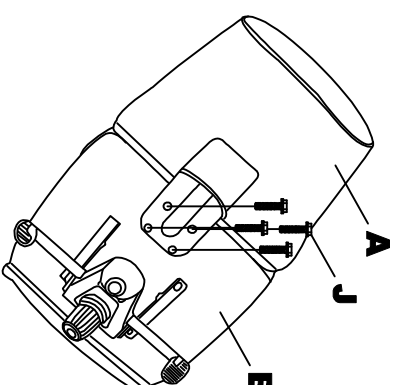


1. Place Base (F) upside down and push Casters (E) firmly into base. 5 places.
2. Turn Base right side up and insert Cylinder (G) into center hole of Base.
3. Place Cylinder Cover (H) over Cylinder.

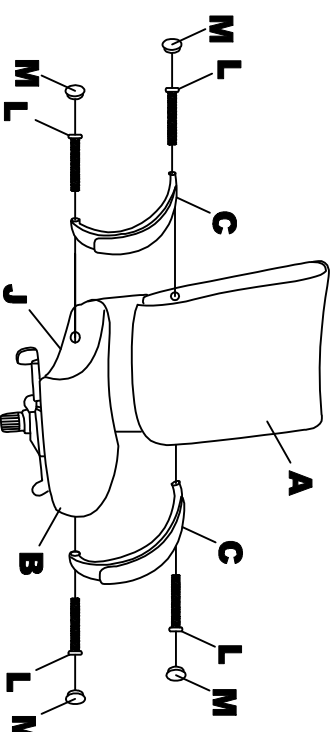


4. Assemble Mechanism (D) to Seat (B) using Screws (K) 2 places located in front of Seat and using Screws (J) 2 places as shown.

2

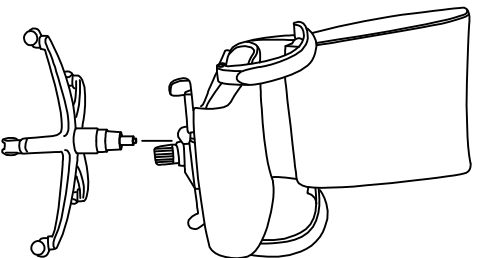


5. Assemble Back (A) onto Seat (B) using Screws (J) 4 places. DO NOT TIGHTEN SCREWS at this time. This will allow a tolerance when assembling arms.



6. Assemble Arm (C) 2 places onto Back (A) & Seat (B) using Screws (L) 4 places. DO NOT TIGHTEN SCREWS at this time.
7. After both arms are installed tighten all Screws (L) 4 places and Screws (J) 4 places.
8. Insert Arm Plug (M) into Arm (C) 4 places.

3



8. Carefully place chair assembly onto base assembly.

NOTE:

Periodically (Every 90 days) make sure screws are fully tightened.

OPERATING INSTRUCTIONS FOR DELUXE KNEE-TILT MECHANISM

1. Seat Height Adjustment.

To raise the seat, pull lever upward and raise your body up slightly to allow the chair to rise to the desired height.

To lower the seat, pull lever upward and apply weight downward on the seat.

2. Seat Tilt Adjustment Lock

Pull lever upward and allow the chair to tilt backwards.

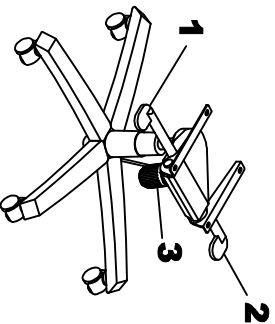
To lock to the desired position push lever downward.

To release tilt adjustment, pull lever upward, apply weight onto the back cushion and then lean forward.

3. Tilt Tension Control Knob.

Turn knob clockwise to increase tilt tension.

Turn knob counter-clockwise to decrease tilt tension.



4