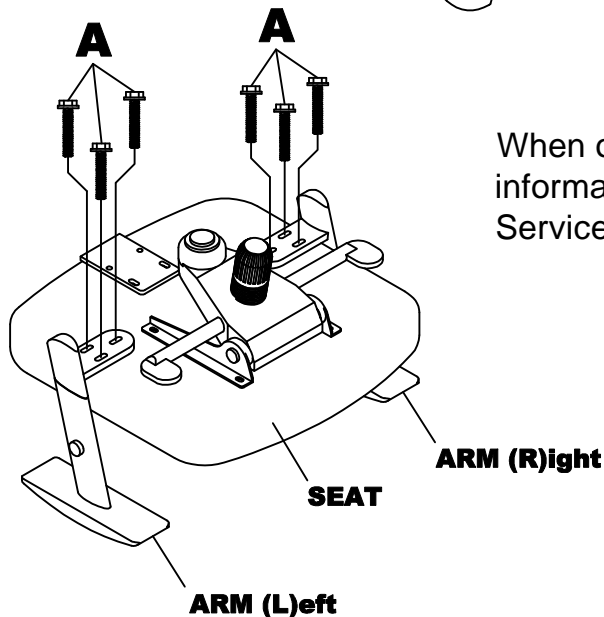
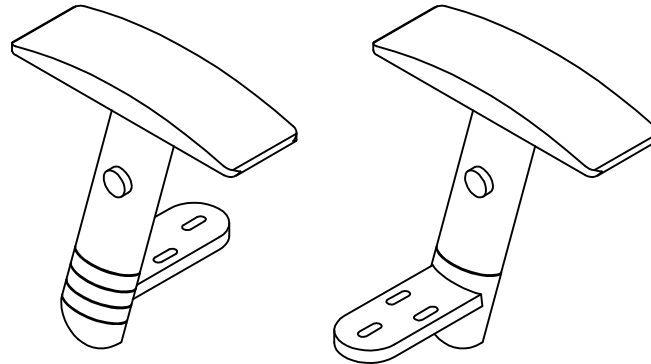


# ASSEMBLY INSTRUCTIONS


## Mercado Silhouette Arm Kit

### Model No. SSMARM



When ordering components, specific color and/or size information may be required. Contact a Mayline Customer Service Representative. 1-800-822-8037

*\* Order by part number.*

Part Number		
<b>101565* Hardware Bag</b>		
Reference Letter	Quantity	Spare
<b>A</b> 	<b>6</b>	<b>1</b>
Screw 1/4-20 x 1-1/4"		

1. Assemble Arms, 2 places onto Seat using Screws (A) 6 places.

**Note:**

Periodically (Every 90 days) make sure screws are fully tightened.

**MAYLINE**® Mayline Company, LLC  
 619 N. Commerce, P.O. Box 728  
 Sheboygan, WI 53082-0728  
 Toll Free: 1-800-822-8037  
 FAX: 920-457-7388  
 On Line: [www.mayline.com](http://www.mayline.com)