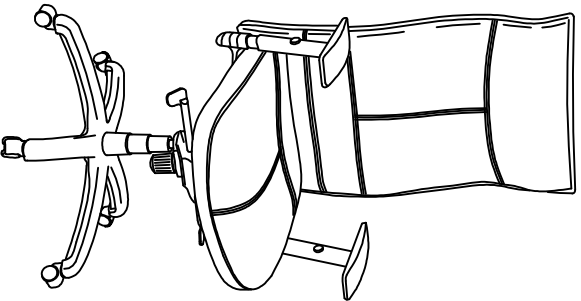


ASSEMBLY INSTRUCTIONS
MERCADO SILHOUETTE HIGH-BACK CHAIR
MODEL NO. SS

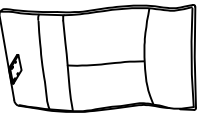

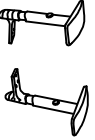








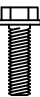
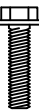
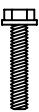

IMPORTANT!
Review ALL instructions before beginning assembly. These instructions are provided to avoid problems that may occur from improper assembly or installation. Mayline and/or its distributor are not responsible for failure resulting from improper assembly or installation of this product. Moreover, all warranties are void for failure to follow these assembly instructions.

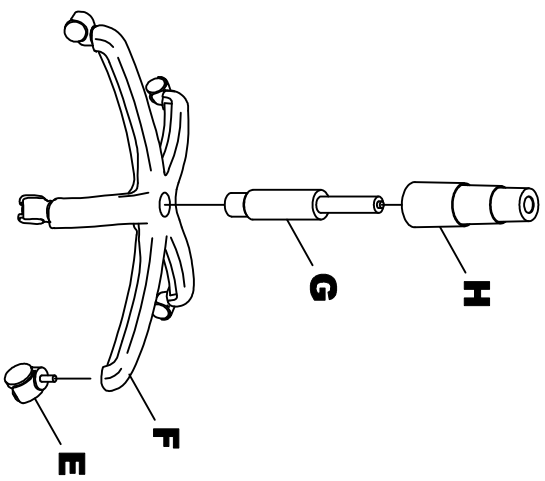
PARTS LIST SS

When ordering components, specific color and/or size information may be required.
 Contact a Mayline Customer Service Representative. 1-800-822-8037

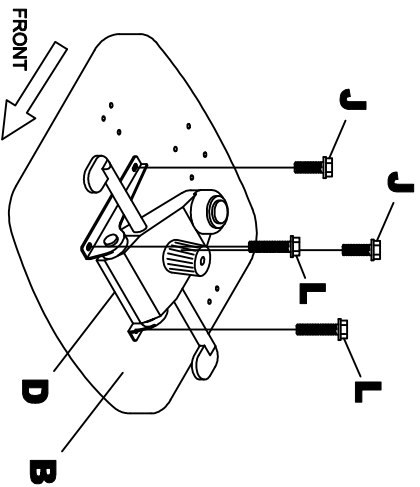
* Individual Items, Order by part number.
 ** Denotes Color Code

Reference Letter A *		Quantity 1
Part Number CM103** Back Reference Letter B *		Quantity 1
Part Number CM123** Seat Reference Letter C *		Quantity 1
Part Number SSMARM Arms (pair) Reference Letter D *		Quantity 1
Part Number CM160 Mechanism Reference Letter E *		Quantity 5
Part Number CM210 Castor (5 pack) Reference Letter F *		Quantity 1
Part Number CM201 Base		

Reference Letter G *		Quantity 1	
Part Number CM181 Cylinder Reference Letter H *		Quantity 1	
Part Number CM190 Cylinder Cover			
Part Number CM217 * Hardware Pack			
Reference Letter J		Quantity 2	Spare 1
Reference Letter K		Quantity 4	Spare 1
Reference Letter L		Quantity 2	Spare 1
Reference Letter M		Quantity 6	Spare 1
Reference Letter N		Quantity 2	

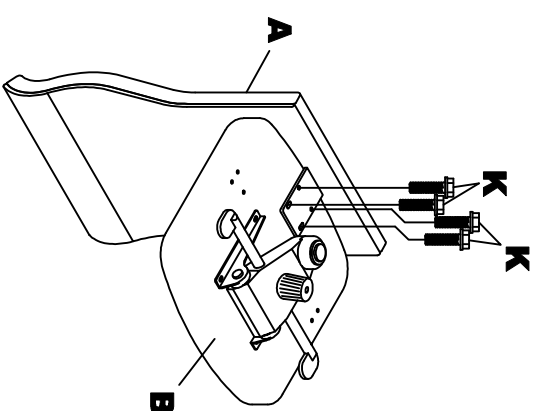


1. Place Base (F) upside down and push Casters (E) firmly into base. 5 places.
2. Turn Base right side up and insert Cylinder (G) into center hole of Base.
3. Place Cylinder Cover (H) over Cylinder.

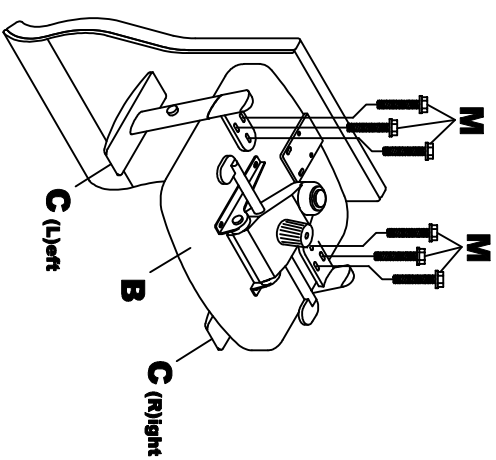


4. Assemble Mechanism (D) onto Seat (B) using Screws (L) 2 Places located in front of Seat and using Screws (J) in back of Seat.

(3)

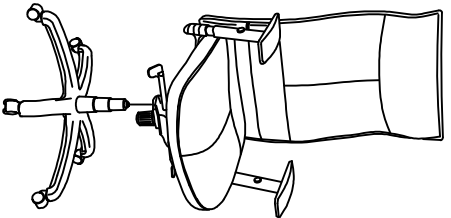


5. Assemble Back (A) onto Seat (B) using Screws (K) 4 places.



6. Assemble Arm (C) 2 places onto Seat (B) using Screws (M) 6 places.

(4)



7. Carefully place chair assembly onto base assembly.

Note:

Periodically (Every 90 days) make sure screws are fully tightened.

OPERATING INSTRUCTIONS FOR DELUXE KNEE-TILT MECHANISM

1. Seat Height Adjustment.

To raise the seat, pull lever upward and raise your body up slightly to allow the chair to rise to the desired height.

To lower the seat, pull lever upward and apply weight downward on the seat.

2. Seat Tilt Adjustment Lock

Pull lever upward and allow the chair to tilt backwards.

To lock to the desired position push lever downward.

To release tilt adjustment, pull lever upward, apply weight onto the back cushion and then lean forward.

3. Tilt Tension Control Knob.

Turn knob clockwise to increase tilt tension.

Turn knob counter-clockwise to decrease tilt tension.

