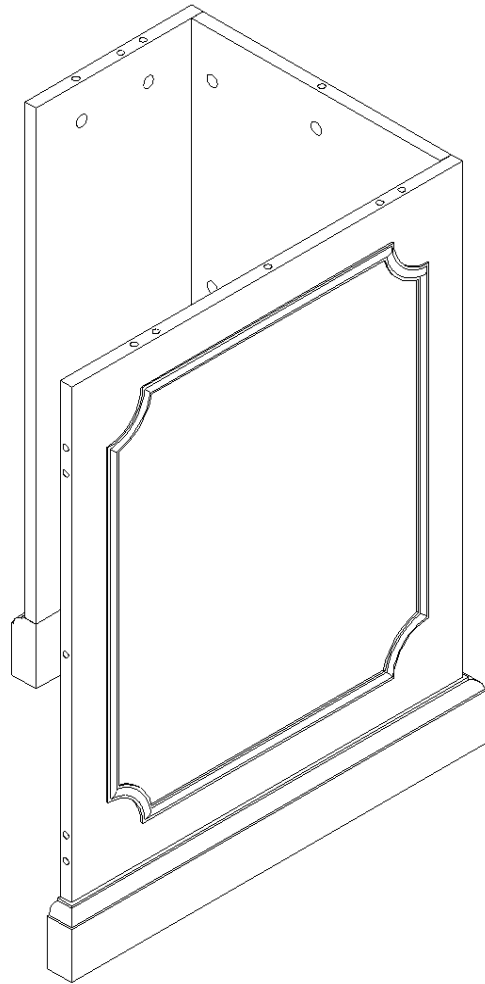




Tiffany Industries™
A MAYLINE GROUP COMPANY

Model No.TCLR

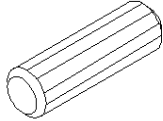
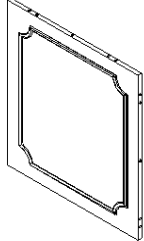
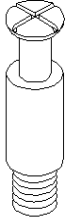
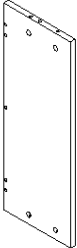
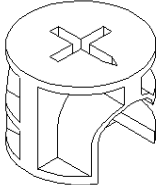
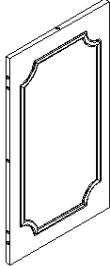
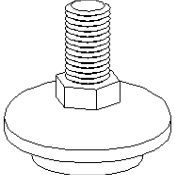
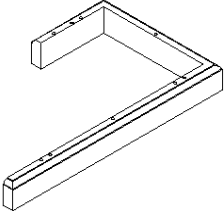



Credenza Leg, Right Hand

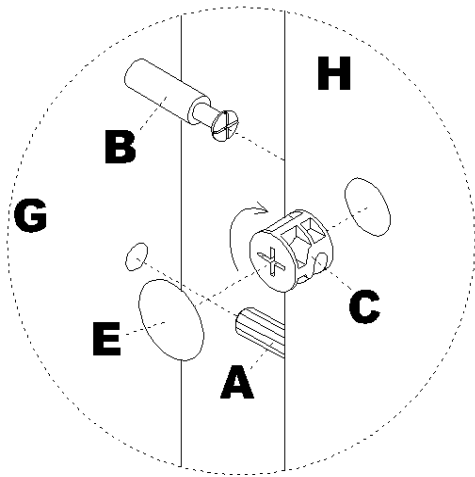
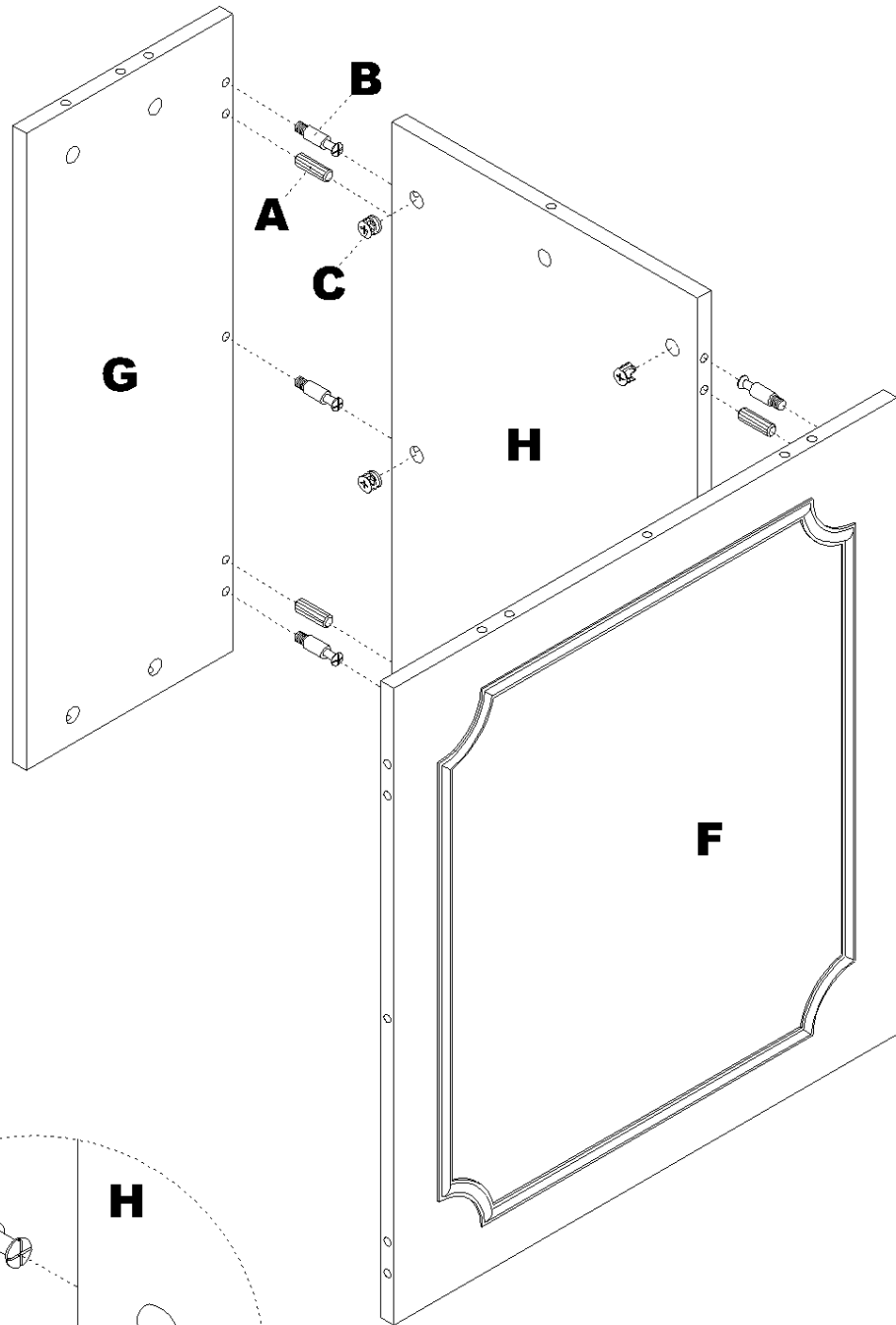
ASSEMBLY INSTRUCTIONS

CALL 1-800-822-8037 FOR ASSISTANCE

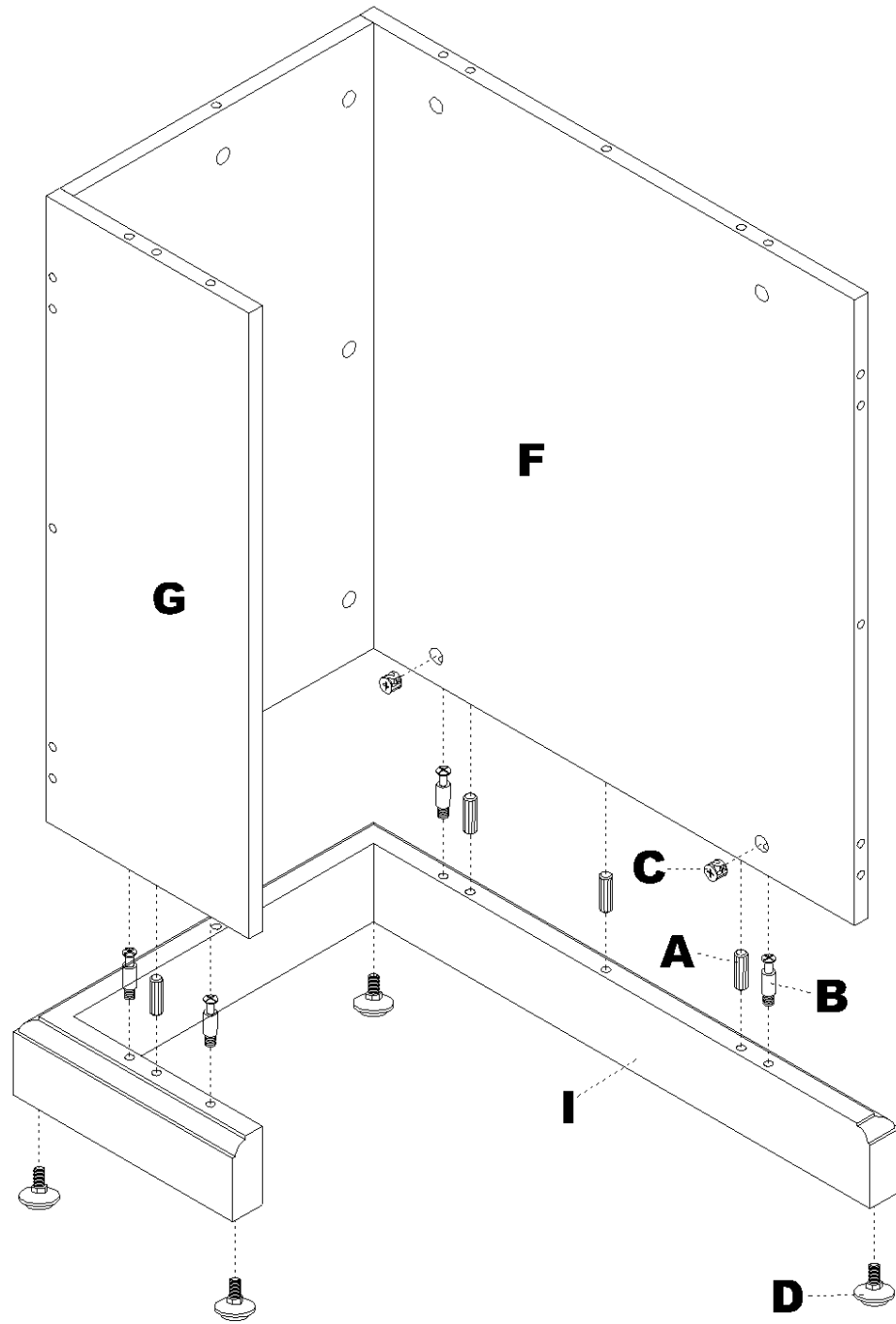
PARTS LIST

Name	Part	Qty.	Spare Qty	Name	Part	Qty.
A	 S004	7	1	F		1
B	 S003	11	1	G		1
C	 S001	11	1	H		1
D	 S067	4		I		1
E	 S102	16	2			

1



2



3

