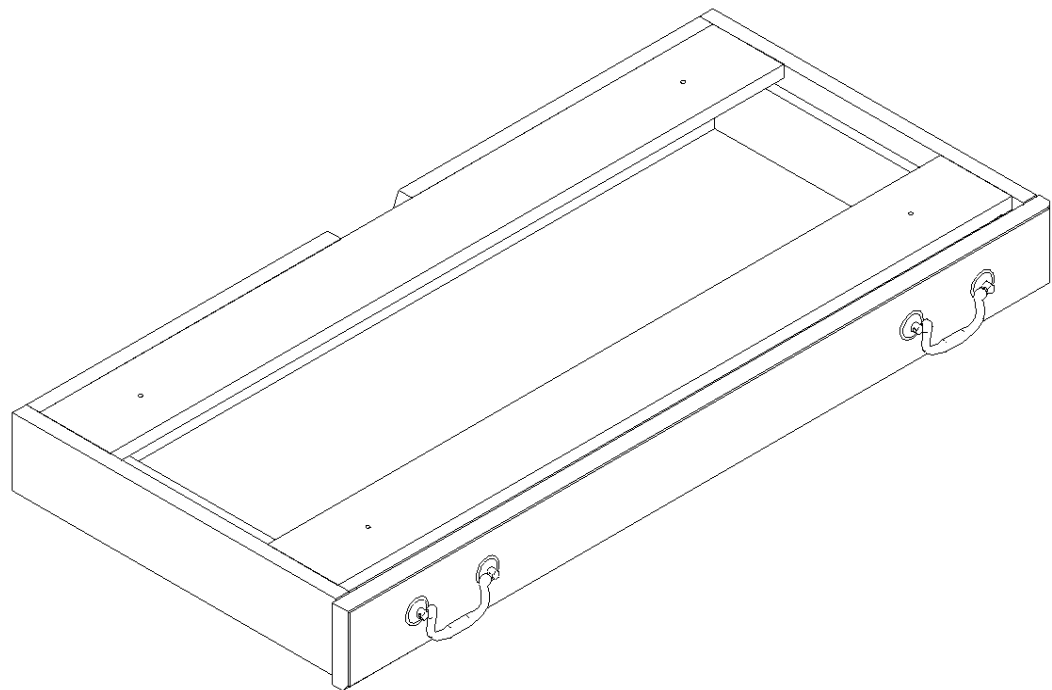




Tiffany Industries™
A MAYLINE GROUP COMPANY

Model No. TDC1/TDC2/TDC3/TDC4

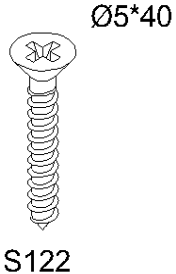


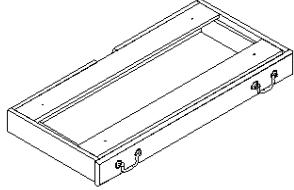
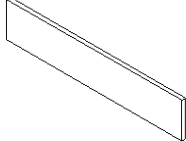
Center/Keyboard Drawer

ASSEMBLY INSTRUCTIONS

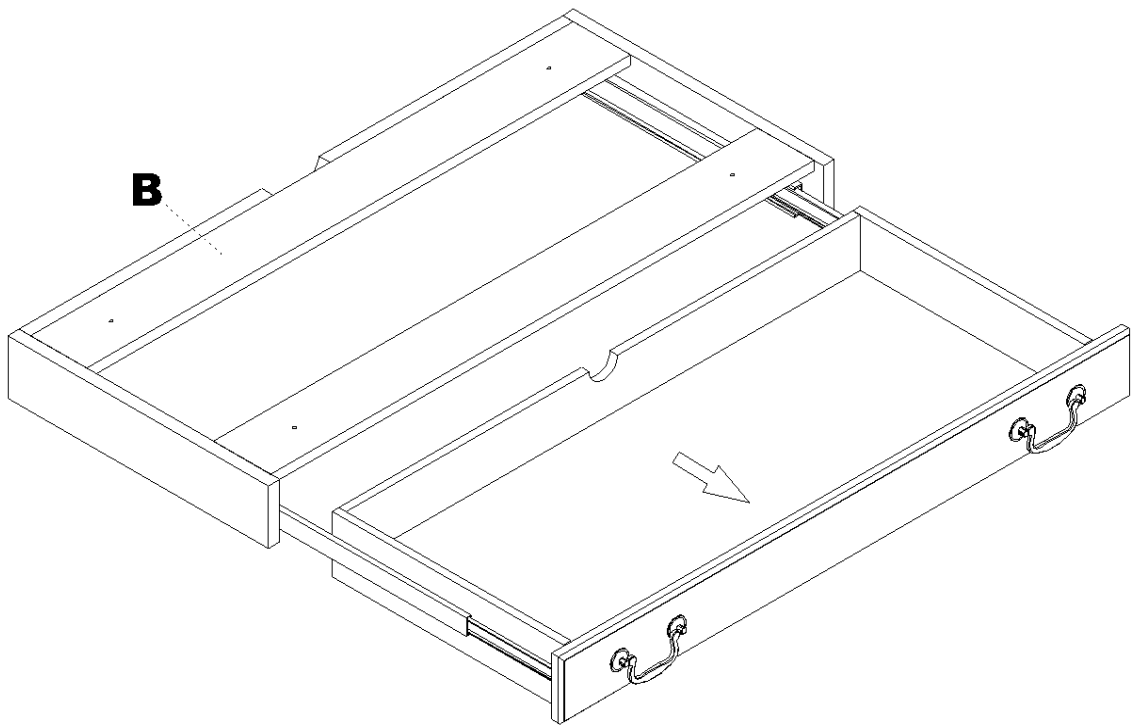
CALL 1-800-822-8037 FOR ASSISTANCE

PARTS LIST

Name	Part	Qty.	Spare Qty
A		4	1

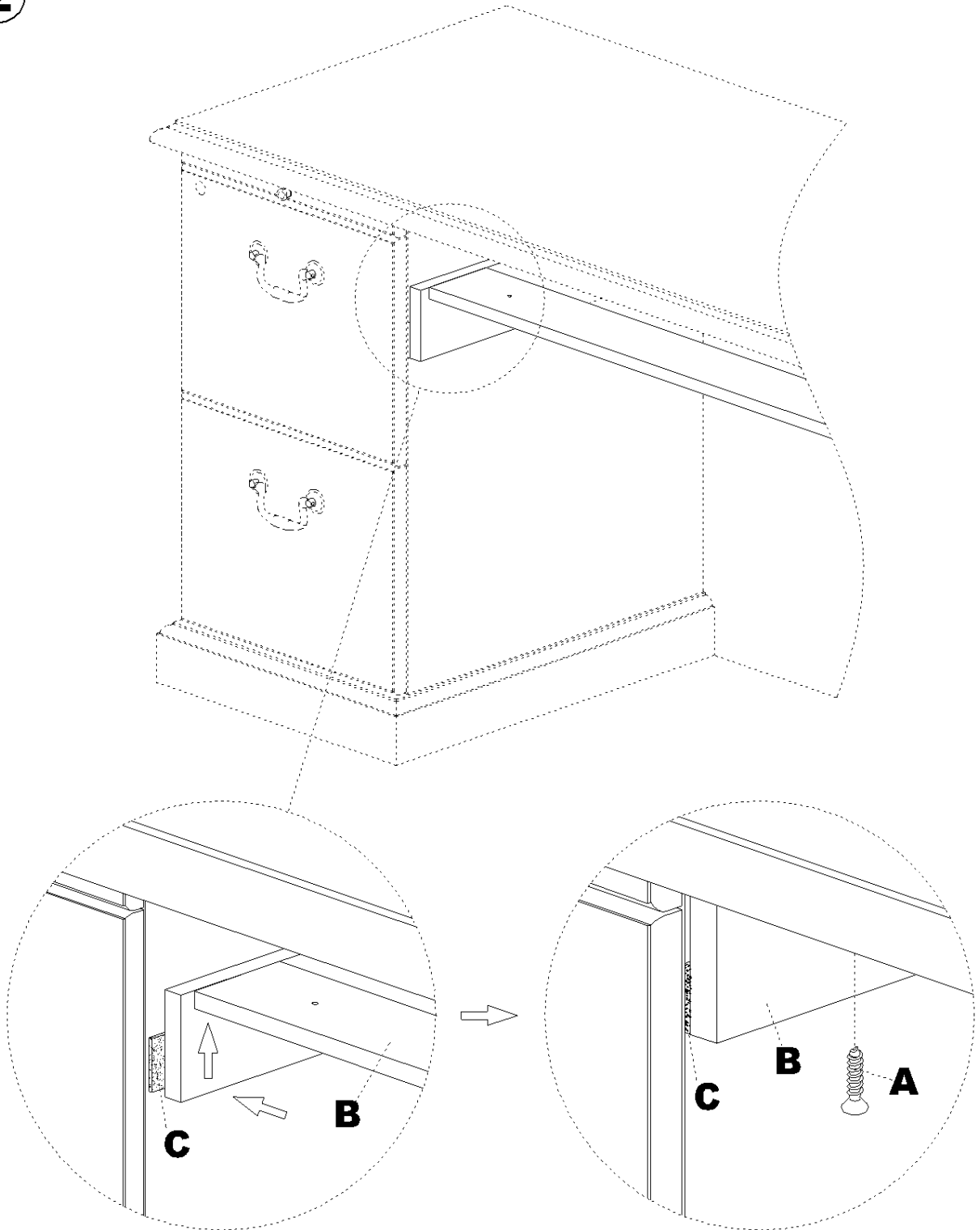
Name	Part	Qty.
B		1
C		1

1



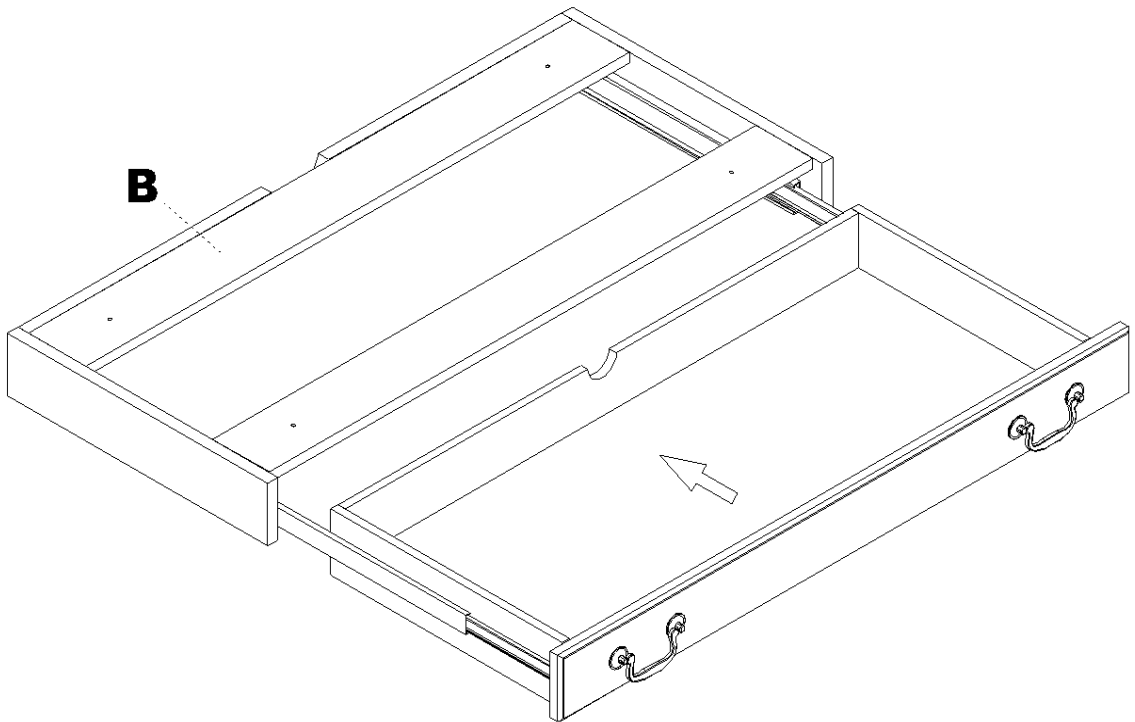
Take the drawer out from the center drawer frame before installation.

2



Align the side of the Center drawer frame(B) to the side of pedestal with the Spacer(C) between,And Screw(A) the Center drawer frame(B) to the upper desk top,Discard the Spacer(C).

3



Put the drawer back into the center drawer frame.