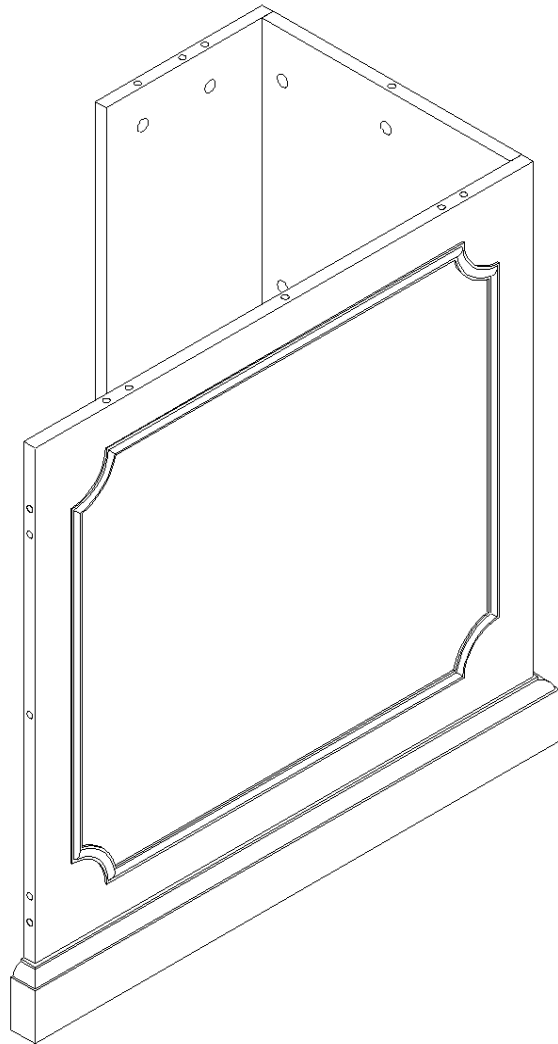




**Tiffany Industries™**  
A MAYLINE GROUP COMPANY

**Model No.TDLR**

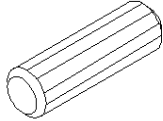
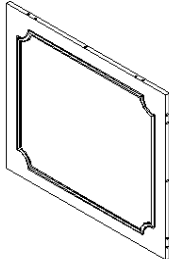
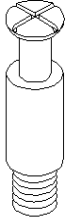
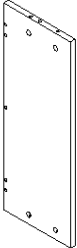
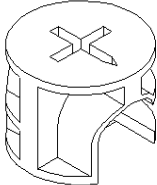
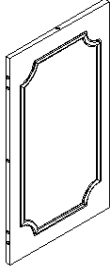
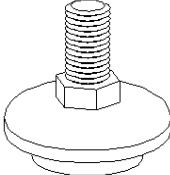
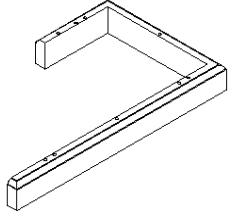



**Main Desk Leg,Right Hand**

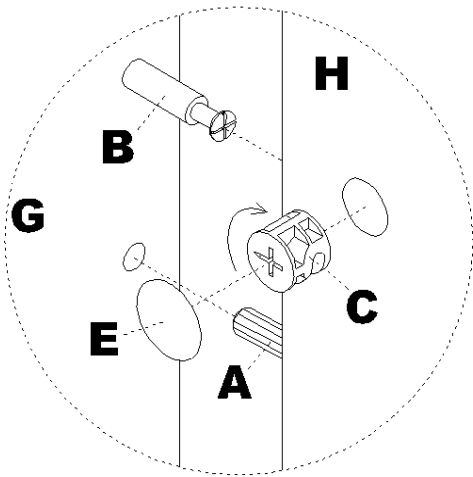
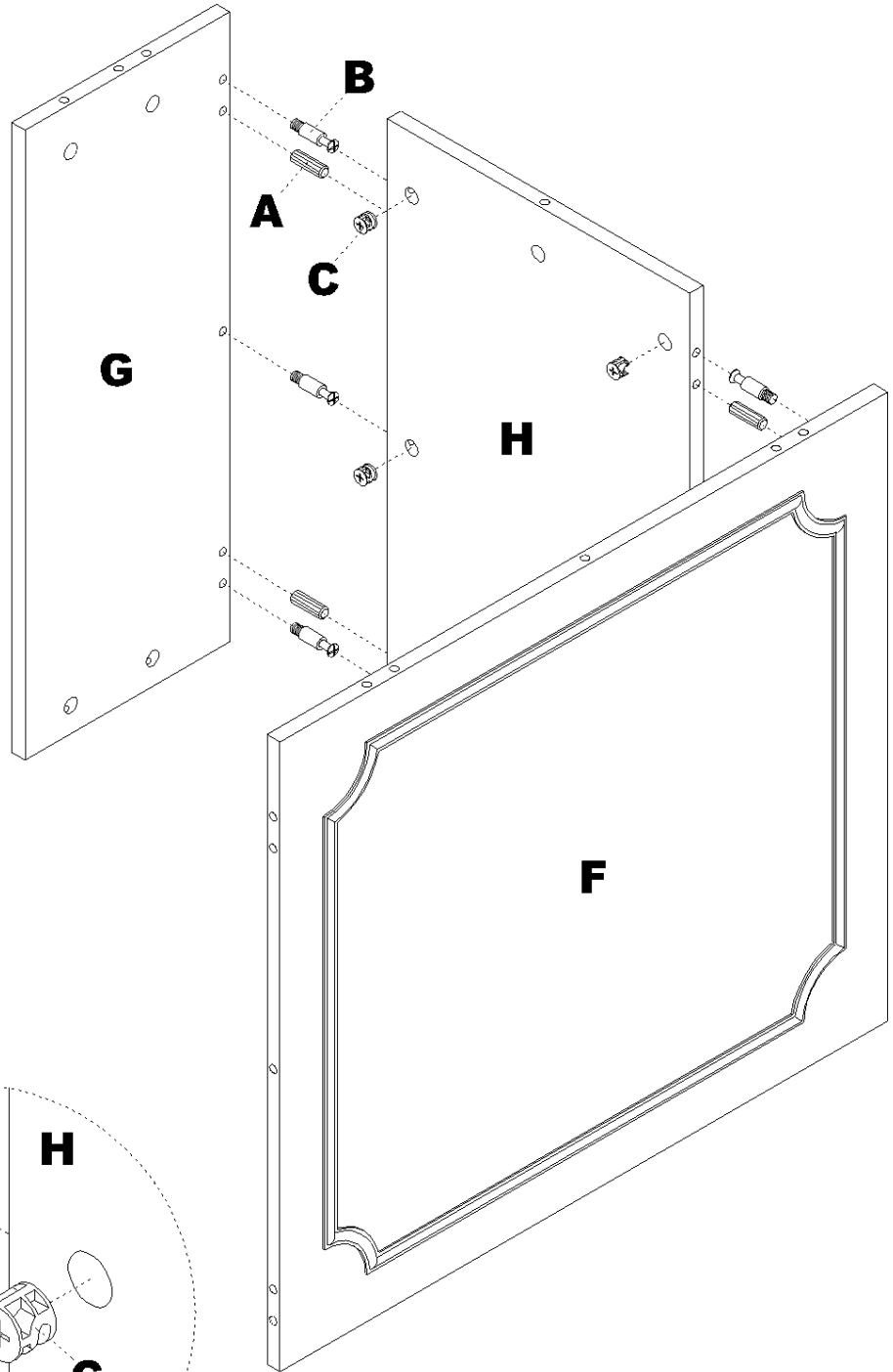
**ASSEMBLY INSTRUCTIONS**

**CALL 1-800-822-8037 FOR ASSISTANCE**

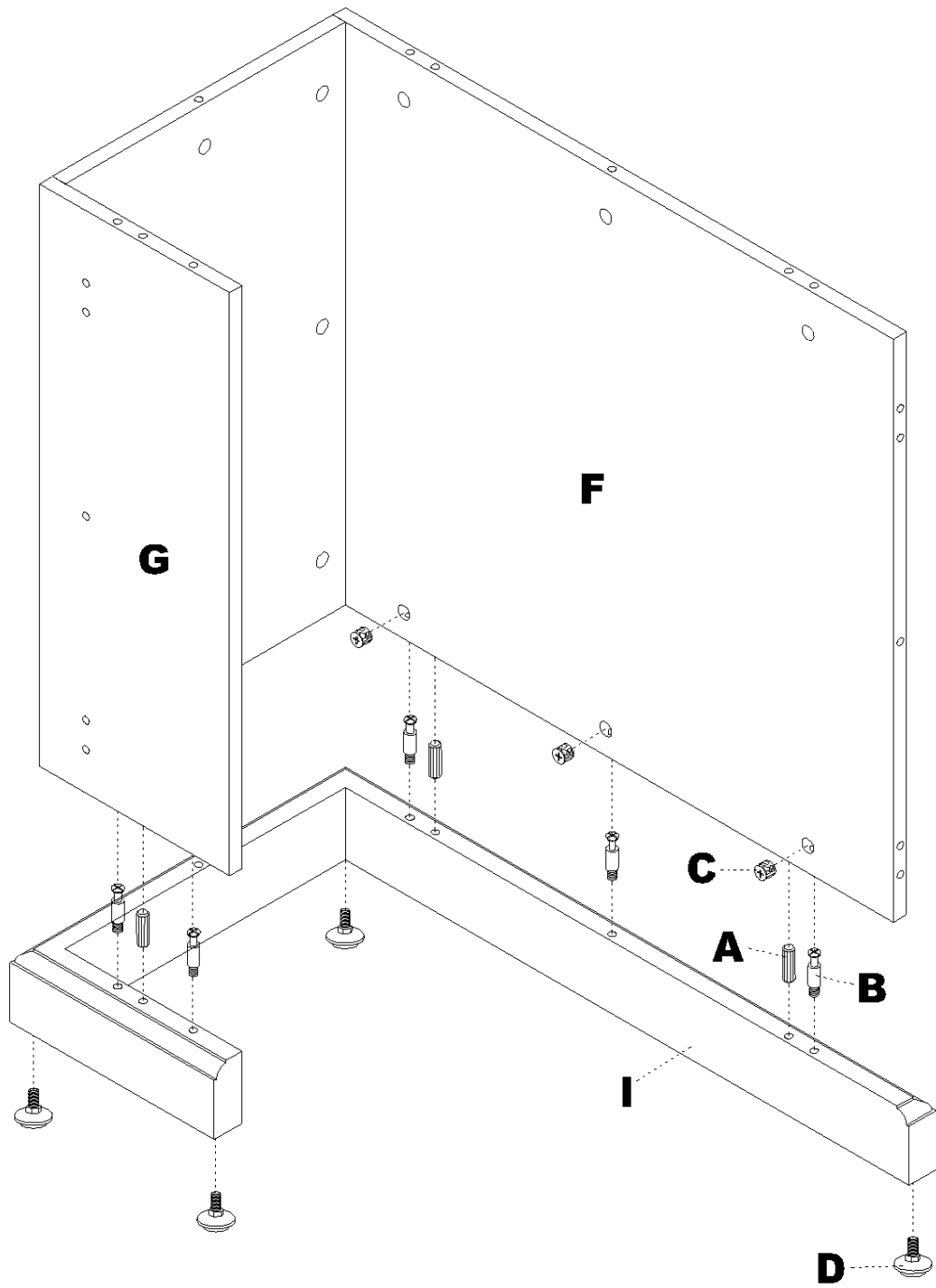
# PARTS LIST

Name	Part	Qty.	Spare Qty	Name	Part	Qty.
<b>A</b>	 S004	<b>7</b>	<b>1</b>	<b>F</b>	 	<b>1</b>
<b>B</b>	 S003	<b>12</b>	<b>1</b>	<b>G</b>	 	<b>1</b>
<b>C</b>	 S001	<b>12</b>	<b>1</b>	<b>H</b>	 	<b>1</b>
<b>D</b>	 S067	<b>4</b>		<b>I</b>	 	<b>1</b>
<b>E</b>	 S102	<b>18</b>	<b>2</b>			

1



2



3

