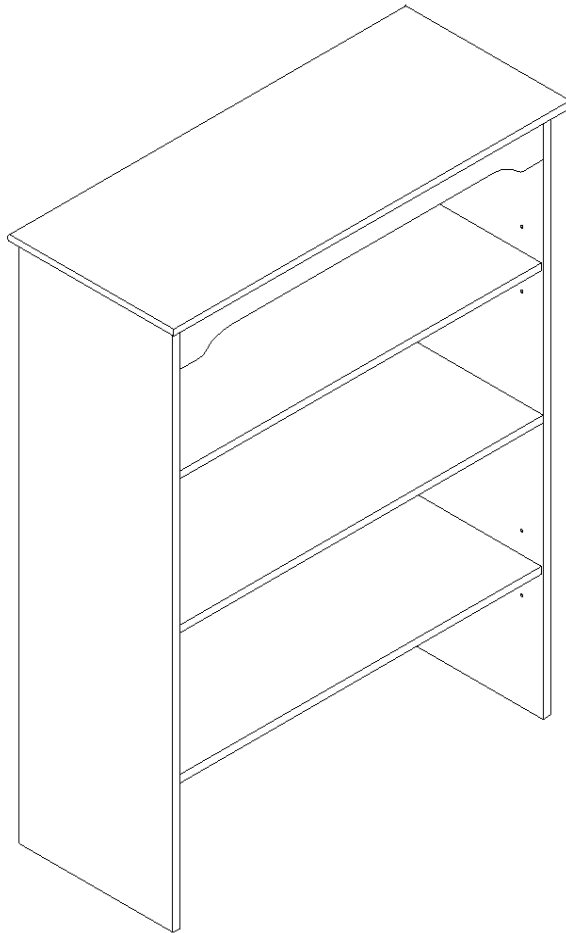




**Tiffany Industries™**  
A MAYLINE GROUP COMPANY

**Model No. THLF**

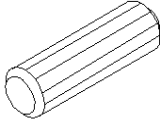

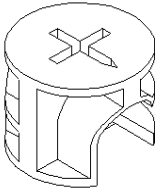
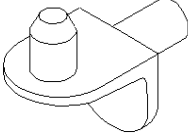



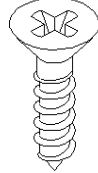
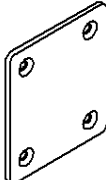
**Lateral File Hutch**

**ASSEMBLY INSTRUCTIONS**

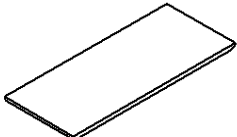


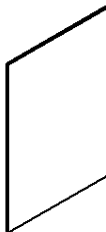
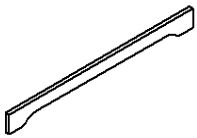
**CALL 1-800-822-8037 FOR ASSISTANCE**

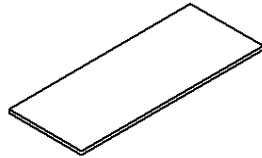
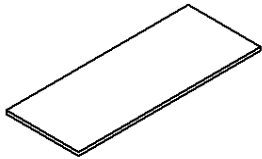
# PARTS LIST

Name	Part	Qty.	Spare Qty
<b>A</b>	 S004	<b>18</b>	<b>1</b>
<b>B</b>	 S003	<b>23</b>	<b>2</b>
<b>C</b>	 S001	<b>23</b>	<b>2</b>
<b>D</b>	 S009	<b>8</b>	<b>1</b>
<b>E</b>	 S102	<b>23</b>	<b>2</b>

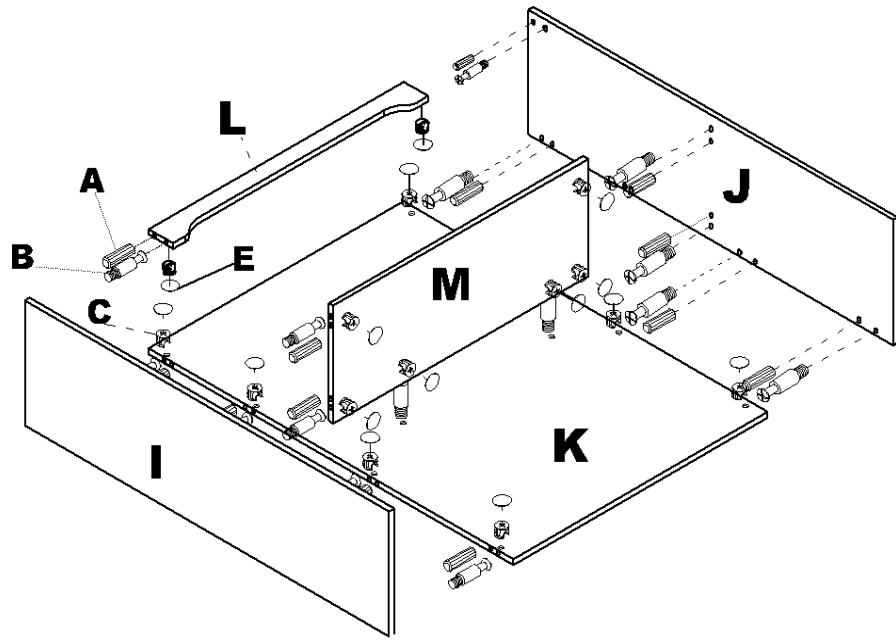
Name	Part	Qty.	Spare Qty
<b>F</b>	 S005	<b>8</b>	<b>1</b>
<b>G</b>	 S108	<b>2</b>	

# PARTS LIST

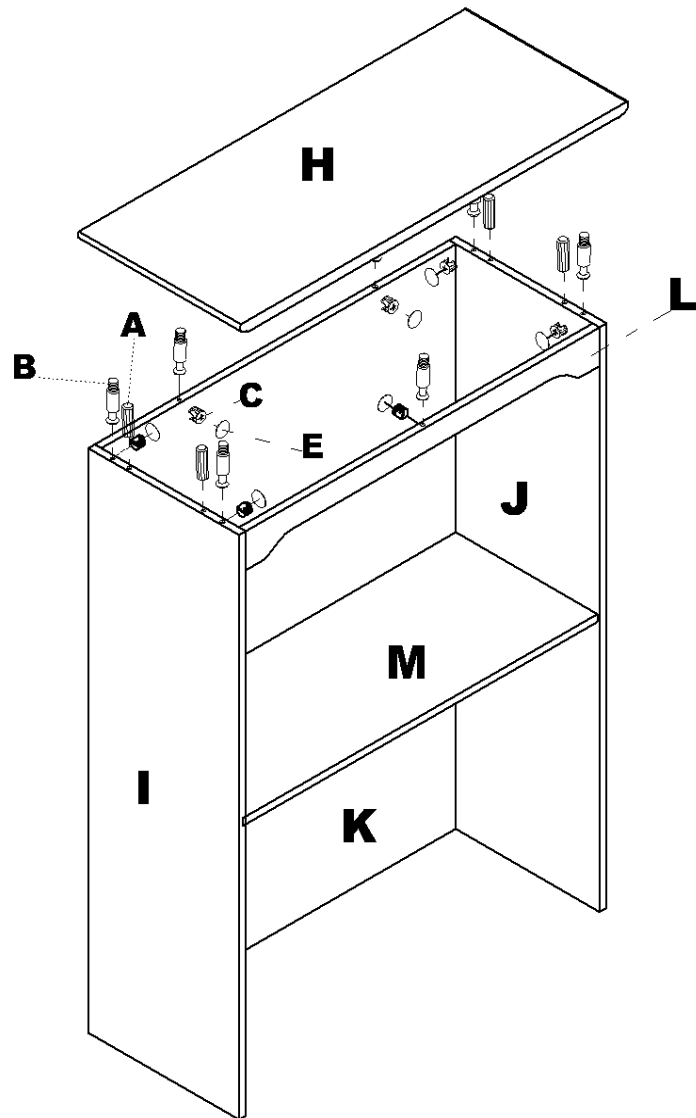
Name	Part	Qty.
<b>H</b>		<b>1</b>
<b>I</b>		<b>1</b>
<b>J</b>		<b>1</b>
<b>K</b>		<b>1</b>
<b>L</b>		<b>1</b>

Name	Part	Qty.
<b>M</b>		<b>1</b>
<b>N</b>		<b>2</b>

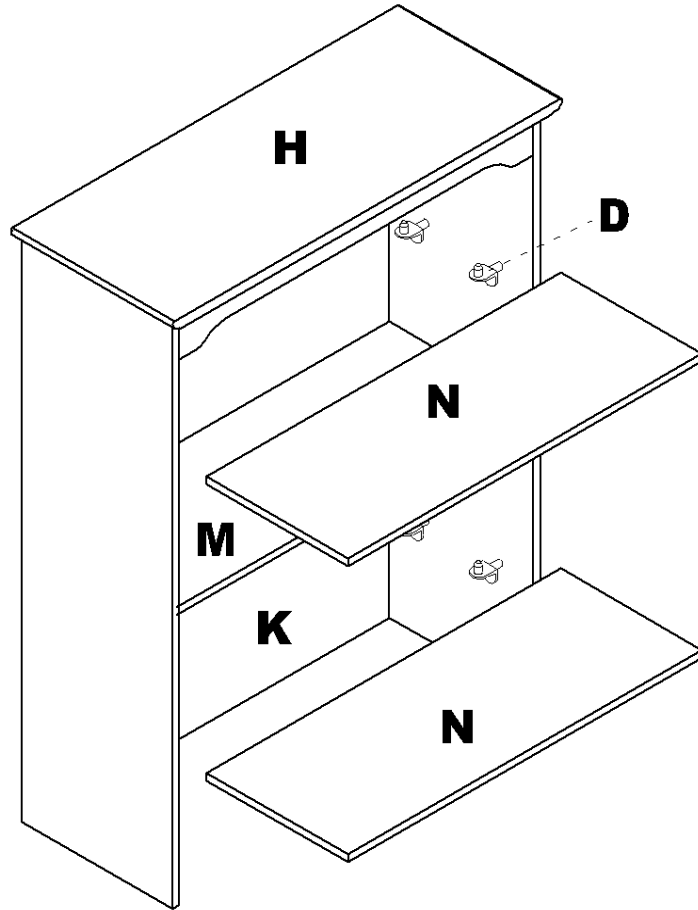
1



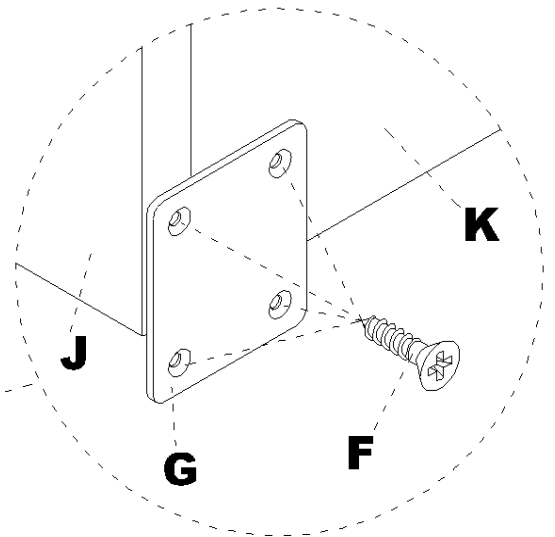
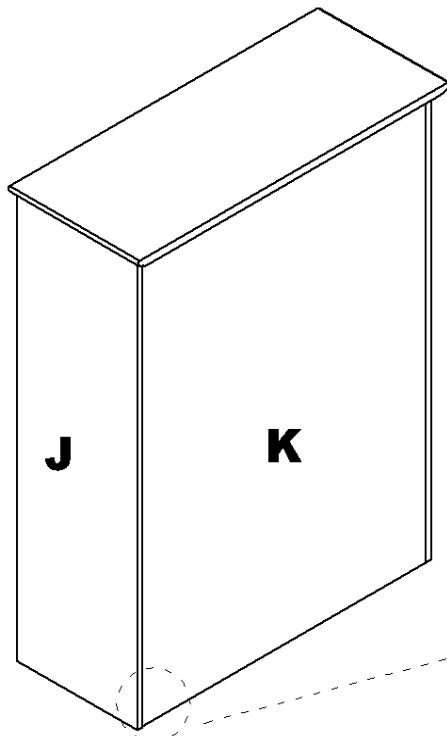
2



3



4



5

