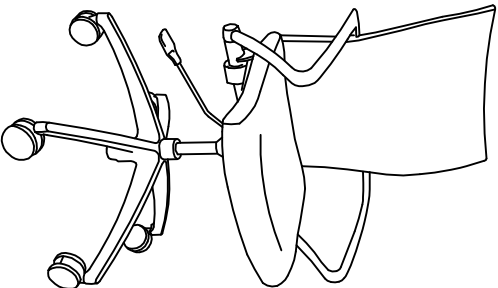


ASSEMBLY INSTRUCTIONS
VALOREI TASK CHAIR
MODEL NO. TSH3

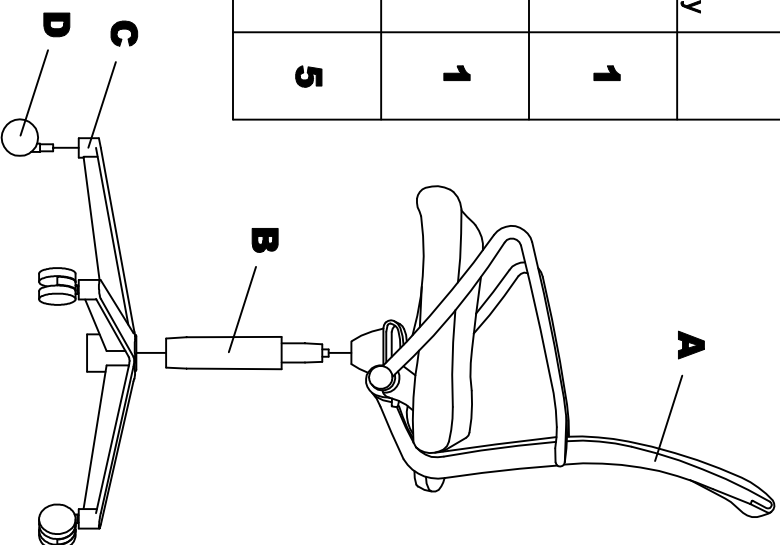


PARTS LIST TSH3

When ordering components, specific color and/or size information may be required.
 Contact a Mayline Customer Service Representative. 1-800-822-8037

* Individual Items. Order by part number.
 ** Denotes Color Code

Reference Letter	Quantity
A *	1
Part Number 102044** Back/Seat Assembly	
Reference Letter B *	1
Part Number 102045 Cylinder	
Reference Letter C *	1
Part Number 102046 Base	
Reference Letter D *	5
Part Number 102047 Caster	



1. Place Base (C) upside down and push Casters (D) firmly into Base. 5 places.
2. Turn Base right side up and insert Cylinder (B) into center hole of Base.
3. Carefully place Chair Assembly onto the Cylinder.

IMPORTANT!

Review ALL instructions before beginning assembly. These instructions are provided to avoid problems that may occur from improper assembly or installation. Mayline and/or its distributor are not responsible for failure resulting from improper assembly or installation of this product. Moreover, all warranties are void for failure to follow these assembly instructions.

