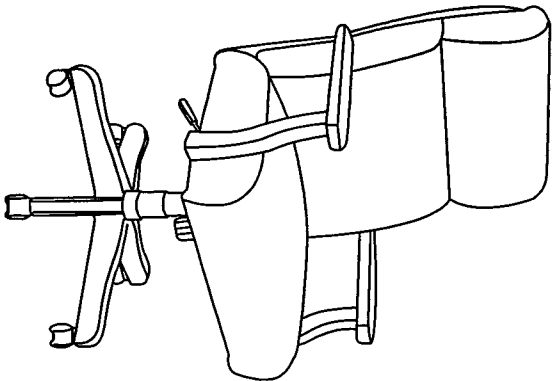


ASSEMBLY INSTRUCTIONS

Mercado Traditional High-Back Chair

Model No. TSHB



Tiffany Industries™

A MAYLINE GROUP COMPANY

619 N. Commerce, P.O. Box 728
Sheboygan, WI 53082-0728

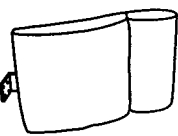

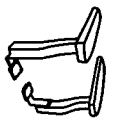


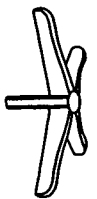
Toll Free: 1-800-822-8037
FAX: 920-457-7388
On Line: www.mayline.com



P/N TSHB REV 02 10/07



PARTS LIST TSHB

When ordering components, specific color and/or size information may be required.
Contact a Mayline Customer Service Representative. 1-800-822-8037

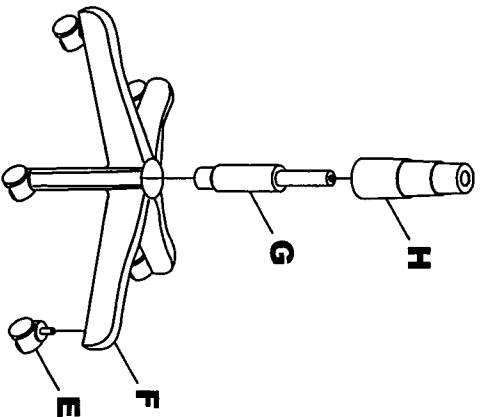
* Individual Items. Order by part number.
** Denotes Color Code.

Reference Letter	Quantity
A*	1
Part Number 101549** Back	
	
Reference Letter	
B*	1
Part Number 101550** Seat	
	
Reference Letter	
C*	2
Part Number 101551** Arms (pair)	
	
Reference Letter	
D*	1
Part Number 101552 Mechanism	
	
Reference Letter	
E*	5
Part Number 101400 Caster (5 per pack)	
	
Reference Letter	
F*	1
Part Number 101553** Base	
	

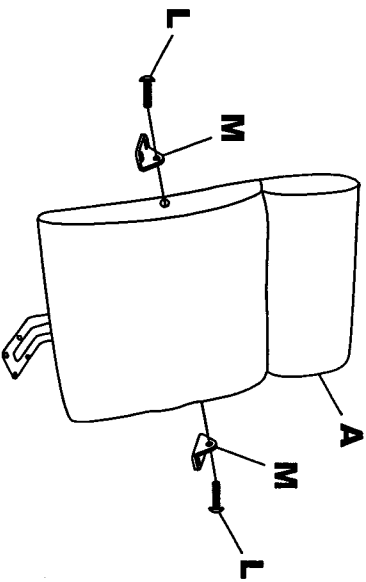
Reference Letter	Quantity
G*	1
Part Number 101554 Cylinder	
	
Reference Letter	
H*	1
Part Number 101555 Cylinder Cover	
	

Reference Letter	Quantity	Spare
Part Number * 101545 Hardware Bag		
Reference Letter		
J	16	1
Screw 1/4-20 x 1"		
Reference Letter		
K	4	1
Screw 1/4-20 x 1-1/4"		
Reference Letter		
L	2	
Screw 1/4-20 x 1"		
Reference Letter		
M*	2	
Part Number Arm Bracket 101547		
		
Reference Letter		
N	1	
Allen Wrench		
		

1

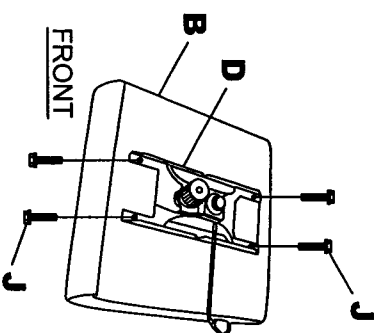


1. Place Base (F) upside down and push Casters (E) firmly into base. 5 places.
2. Turn Base right side up and insert Cylinder (G) into center hole of Base.
3. Place Cylinder Cover (H) over Cylinder and push down onto Base.

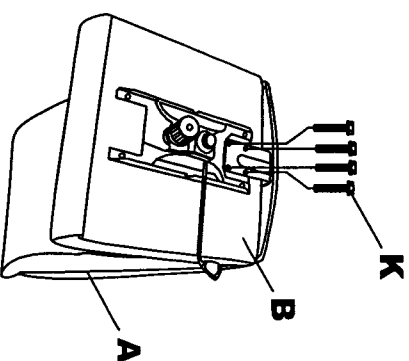


4. Assemble Arm Bracket (M) onto Back (A) using Screws (L) 2 places as shown.

2

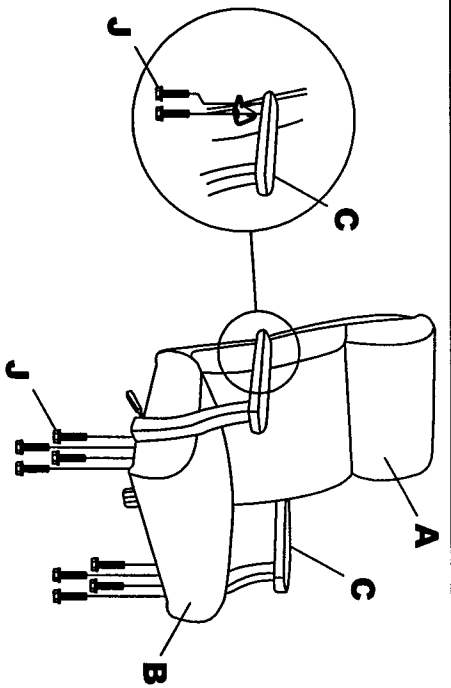


5. Assemble Mechanism (D) onto Seat (B) using Screws (J) 4 places.



6. Assemble Back (A) onto Seat (B) using Screws (K) 4 places.

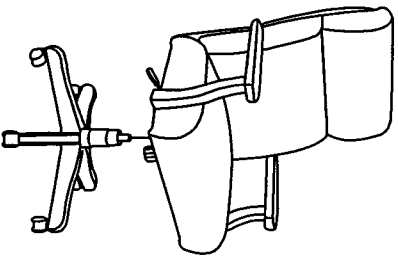
3



7. Assemble Arms (C) 2 places onto Seat (B) using Screws (J) 8 places. DO NOT TIGHTEN SCREWS at this time.

8. Assemble Arms (C) 2 places onto Back (A) using Screws (J) 4 places. DO NOT TIGHTEN SCREWS at this time.

9. After both arms are installed tighten all Screws (J) 12 places.



10. Carefully place chair assembly onto base assembly.

NOTE:
Periodically (Every 90 days) make sure screws are fully tightened.

4

OPERATING INSTRUCTIONS FOR CENTER PIVOT MECHANISM

1. Seat Height Adjustment:

To raise the seat, pull lever upward and raise your body up slightly to allow the chair to rise to the desired height.

To lower the seat, pull lever upward and apply weight downward on the seat.

Seat Upright Lock:

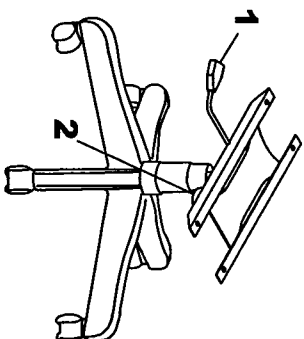
To lock chair in upright position, lean forward and push knob toward chair.

To unlock chair in upright position, lean forward and pull away from chair.

2. Tilt Tension Control Knob.

Turn knob clockwise to increase tilt tension.

Turn knob counter-clockwise to decrease tilt tension.



5