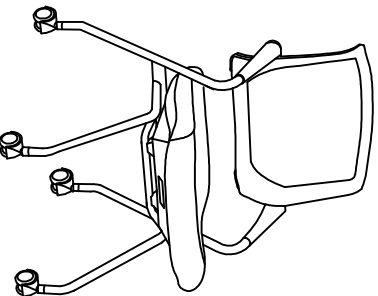


ASSEMBLY INSTRUCTIONS
VALORE[®] TRAINING SERIES MID-BACK CHAIR
MODEL NO. TSM2

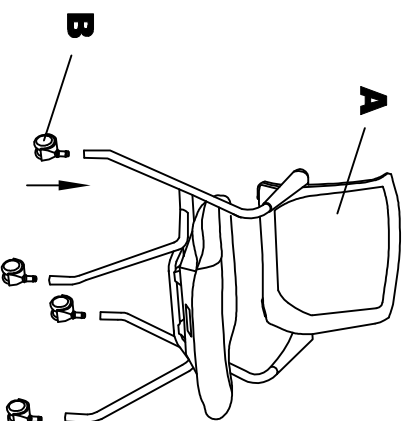
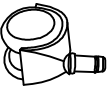
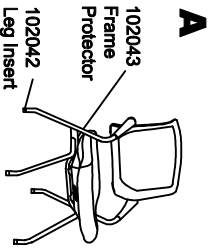


PARTS LIST TSM2

When ordering components, specific color and/or size information may be required.
 Contact a Mayline Customer Service Representative. 1-800-822-8037

* Individual Items. Order by part number.
 ** Denotes Color Code

Reference Letter	Quantity	Replacement Parts not included in assembly	Quantity
A	1	102042 * Leg Insert	4
		102043 * Frame protector	2
Reference Letter	Quantity		
B *	4		
Part Number 102041 Caster (each)			



1. Place Chair (A) upside down and push Casters (B) firmly into legs of chair

NESTING OPERATION

1. Lift seat and insert front legs into rear legs.

