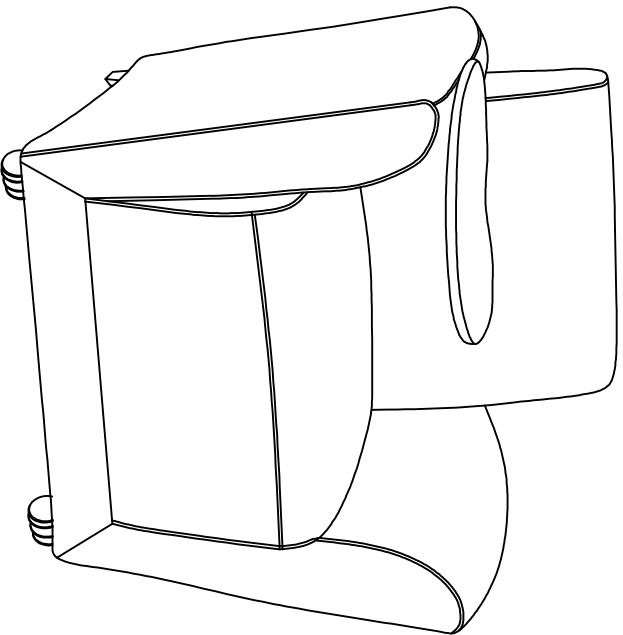


ASSEMBLY INSTRUCTIONS
SANTA CRUZ SERIES LOUNGE FURNITURE
MODEL NO. VCCMT



IMPORTANT!
Review ALL instructions before beginning assembly. These instructions are provided to avoid problems that may occur from improper assembly or installation. Mayline and/or its distributor are not responsible for failure resulting from improper assembly or installation of this product. Moreover, all warranties are void for failure to follow these assembly instructions.

Part No. VCCMT, Revision 01 09/20/10

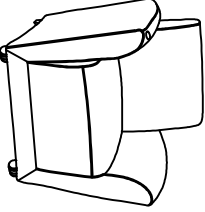
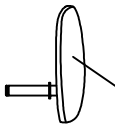


© Mayline Company, LLC
 619 N. Commerce St., Box 728
 Springfield, IL 62762-0728
 Tel: 900-822-8037
 Fax: 900-457-7388
 On Line: www.mayline.com

PARTS LIST VCCMT

When ordering components, specific color and/or size information may be required. Contact a Mayline Customer Service Representative. 1-800-822-8037

* Individual Items, Order by part number.
 ** Denotes Color Code

Reference Letter	Quantity
A	1
 Reference Letter B * Part Number CM257** Tablet w/Post	1
 VCCMT** TABLET	

